



MAKE A TRAIN

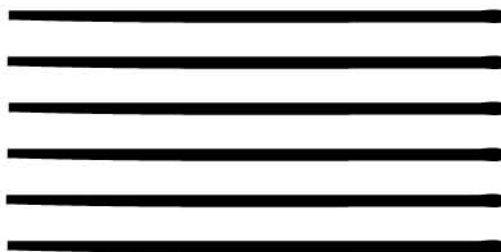
COPYRIGHT REDWOODVENTURES LTD



1

PLACE CLEAR PLASTIC SHEET OVER TEMPLATES, TRACE AND HARDEN WITH THE SPOTLIGHT.

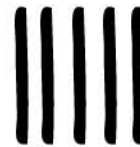
A



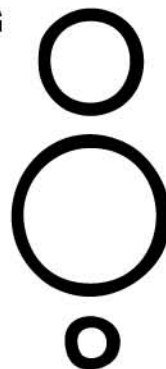
B



C



G



DE



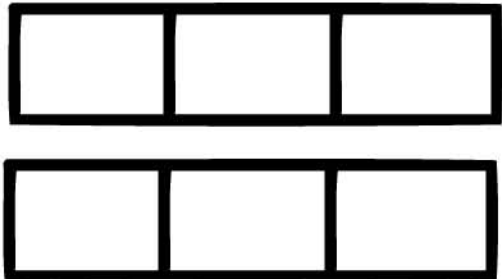
F



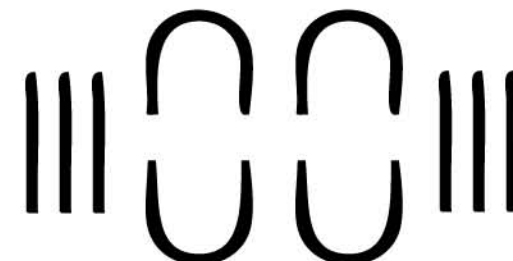
J



H



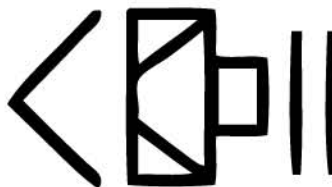
K



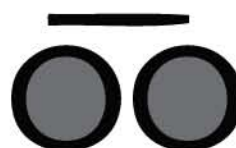
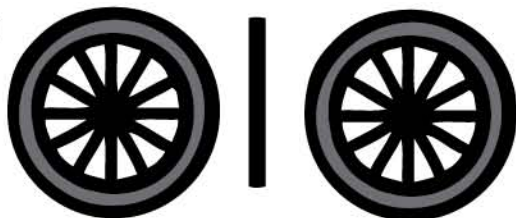
I



L



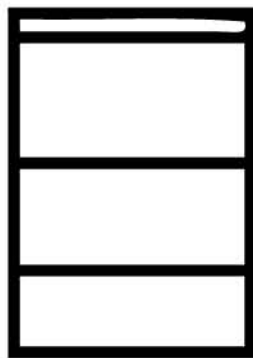
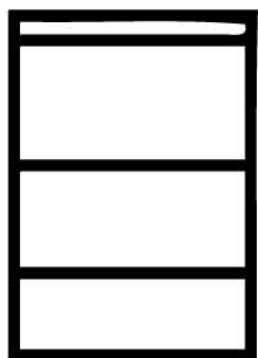
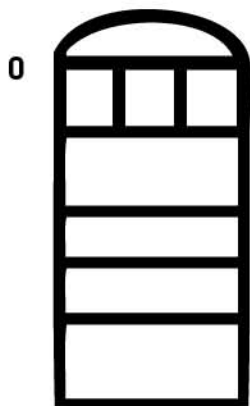
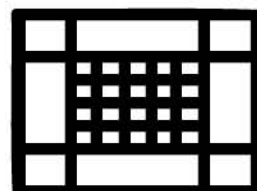
MN





MAKE A TRAIN

COPYRIGHT REDWOODVENTURES LTD

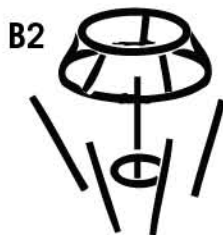


2

ASSEMBLE SMOKE STACK.



USE THE BARS (B) TO CONNECT MEDIUM RING (G) TO LARGE RING (G).



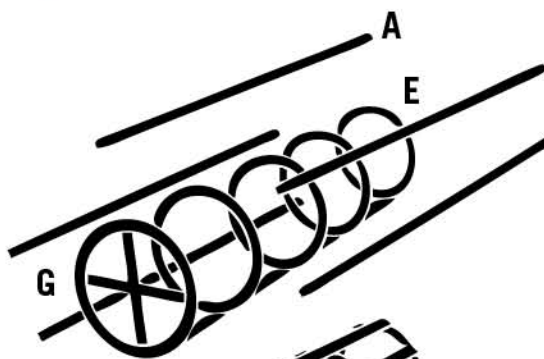
USE THE BARS (C) TO CONNECT SMALL RING (G) TO THE UPPER SECTION COMPLETED IN 2A.



< FINISHED SMOKE STACK.

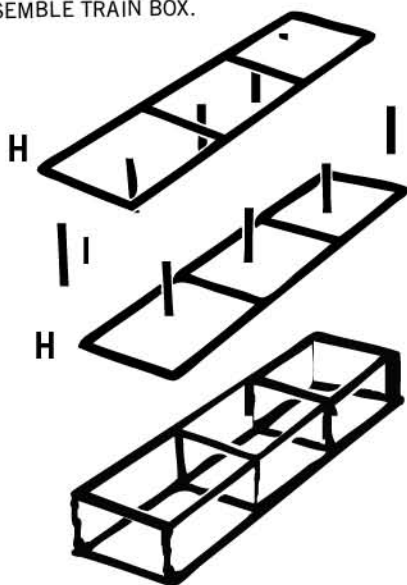
3

ASSEMBLE TRAIN ENGINE BARREL.

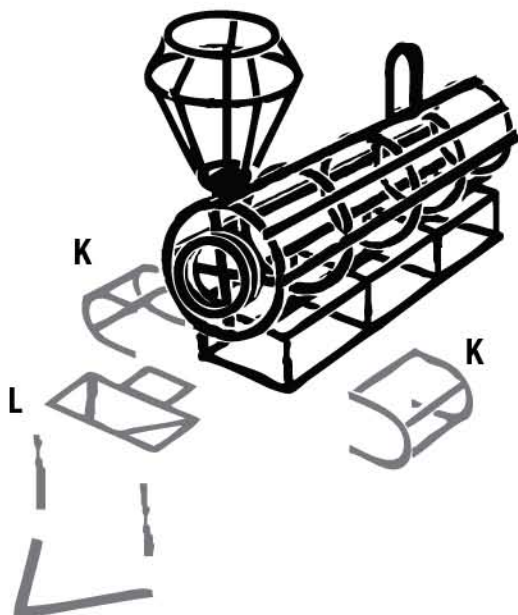


< FINISHED SMOKE STACK.

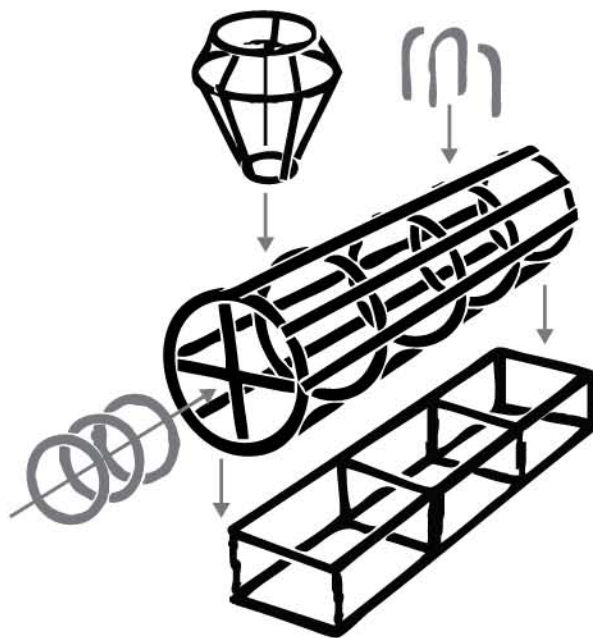
4
 ASSEMBLE TRAIN BOX.



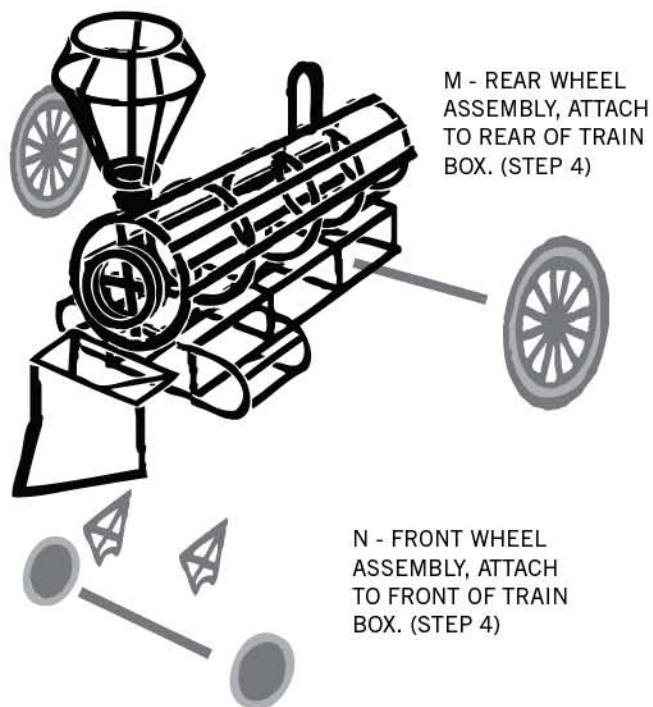
6
 ASSEMBLE FRONT BLADE (L)
 AND SIDE STEPS (K).



5
 ASSEMBLE TRAIN ENGINE AREA
 (STEPS 2, 3 & 4). ATTACH TRAIN
 LIGHT (F), AND BELL (J).



7
 ASSEMBLE AND ATTACH FRONT AND
 REAR WHEELS. PARTS SECTION M & N.



8

ASSEMBLE ENGINEERS CABIN.
PARTS SECTION O.



9

ATTACH ENGINEERS CABIN TO ENGINE.
FINISHED!

