

## Pegasus Medium Pendant

### Shade

Material : Polyester fabric on white polymer backing

Colour Options : Ivory, Hessian, Bronze, Titanium

Size : Ø535 x H300mm

Cleaning : Dust regularly

Spot clean using damp cloth with mild detergent

### Suspension - adjustable on installation

Flex Suspension :

Flex Colour Options : Clear

Length : 1000mm (+ depth of shade)

Custom lengths/colours available on request

### Canopy

Material : white powder coated aluminium

Size : Ø80 x H30mm with coverplate Ø120

### Lamp

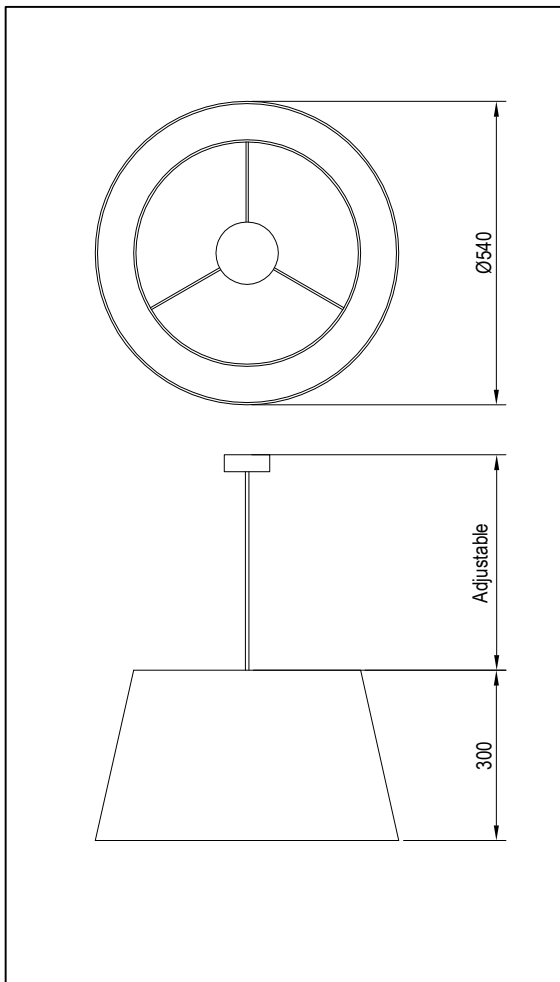
Halogen : 18W, Clear G95 spherical adaptor lamp, ES base  
(42W max)

Compact Fluorescent : 14W, G125 spherical lamp, ES base  
(18W max)

### Switching / Dimming

Switching : Hardwired to power supply

Dimming options available for halogen option



# Pegasus Specifications

## Pegasus Medium Pendant