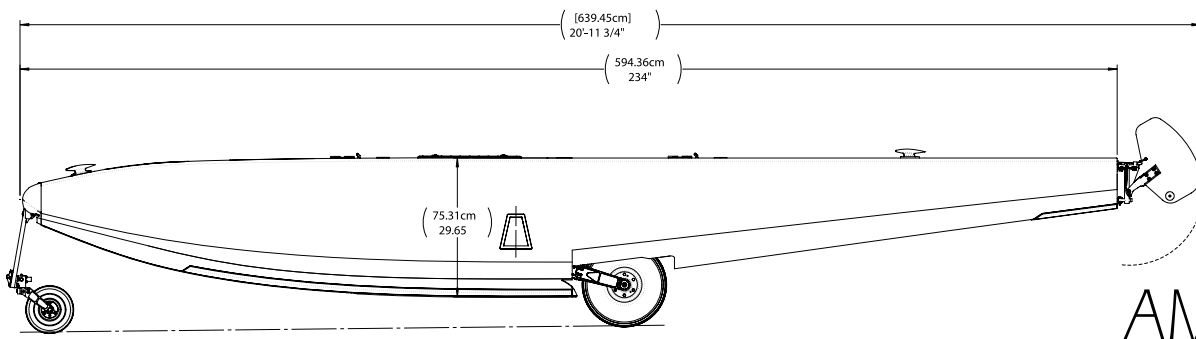




3400 series

AEROCET
INCORPORATED





3400 AMPHIBIOUS

Float
3400

Airplane
180, 182, 185

Buoyancy
3397 LBS.

Maximum Floatation
3775 LBS. (90%)

Weight
651 LBS.*

*Including all struts and attachment hardware.

MAIN GEAR

Custom Designed Gearbox

- Maximizes displacement for improved floatation
- Watertight seamless design means less water pumping
- Easy access to all hardware, reducing maintenance time
- Easy-to-clean and service, ease of replacements

Oleo Shock System

- Trailing arm link provides a no-bounce smooth ride
- Metering pin tailored toward comfort during taxi, yet able to handle harsh landings
- Pressure adjustable to match aircraft gross weight
- Built in prevention of water infusion
- Cost effective, easy to find and replace "Off-the-shelf" seals and wiper rings
- Aerocet-manufactured nose wheel means Aerocet quality, and we always have parts in stock

NOSE GEAR

Sliding, Retractable Gear

- Utilizes a no-maintenance composite spring that eliminates soft forward diving in crosswinds or under braking
- No nose wheel well, which provides maximum displacement efficiency
- Aluminum Bronze slide bushings designed to handle ultimate loads without breakage
- Tire retracts to provide bumper
- Angle of nose spring is optimized to reduce shimmy potential

Nose Wheel Assembly

- Aerocet-manufactured nose wheel means Aerocet quality, and we always have parts in stock
- Spoked wheel design eliminates water cavity
- O-ring interface between wheel halves for better sealing and less maintenance
- Standard "off-the-shelf" bearings
- Manufactured from 6061 billet, anodized and top coated for long life corrosion protection
- Fully TSO approved by the FAA

HARDWARE

Hull Protection

- Aluminum Keel wear strip that is rugged and easily replaced
- Special aluminum chine rub strip designed to resist constant abrasion and provides another seam overlap

Spreader Bar

- New extrusion design with internal shear web
- Impervious to crushing under forklift and clamping loads
- Simple, high strength, lightweight spreader bar socket with integral grease fittings

Water Rudders

- Utilizes stainless tiller posts, brackets and fasteners and large bearings for overstress loads
- No rubber seals to crack and leak, and no deck cables and turnbuckles to trip on
- Maximum maneuverability with large rudders

GEAR RETRACT SYSTEM

Electric Hydraulic Pump System

- 12 or 24 volt availability
- Far aft placement for nose gear CG compensation
- Low average pressure (500 psi) is easy on the lines reducing overall maintenance
- Built in pressure relief guards against over pressure from thermal or hand pump inputs
- Simplistic reversing motor eliminates complex flow control valves and systems
- Reservoir and site glass are built into hydraulic power pack for easy fluid level reading
- Internal filters to guard against debris in hydraulic system reducing wear
- Mounting hardware designed and tested to FAR requirements

Gear Advisory Unit

- Audible announcement for gear positions and "check gear" conditions
- Hydraulic pump running indicator
- Illuminated indicators for each gear wheel and each position
- Backlit display for easy reading
- Dimmer adjustment
- Indicator lights "Test" feature

COMPOSITES

Performance

- Super large sweet spot, ease of use and the most forgiving floats for novice and pro alike
- Very slippery—minimal sensation of acceleration is felt after leaving the water
- Getting on the step is reached very quickly to get you off the water and into the air fast

Hull Design

- Double Fluted design delivers superior strength to weight ratings
- Molded-in boarding steps
- Sharp edges for reduced drag and increased hydrodynamics
- Best design for performance in both rough water and smooth water conditions

Construction

- No Corrosion
- No rivets means no rivet leaks
- Common aerospace E-Glass and simple easy-to-use vinyl ester resin
- Non-sandwich bottom skin, makes any field repair an easy process
- High impact sandwich core used on top and sides adds durability and strength

COMPARTMENTS

Six Watertight Compartments

- One more compartment than most
- No large holes for rudder controls (causes easy flooding)
- Large access panels with integrated preflight pumpouts that use all stainless hardware
- Storage locker built into center compartment with super large access door and optional floorboards for flat storage

AEROCET
INCORPORATED