

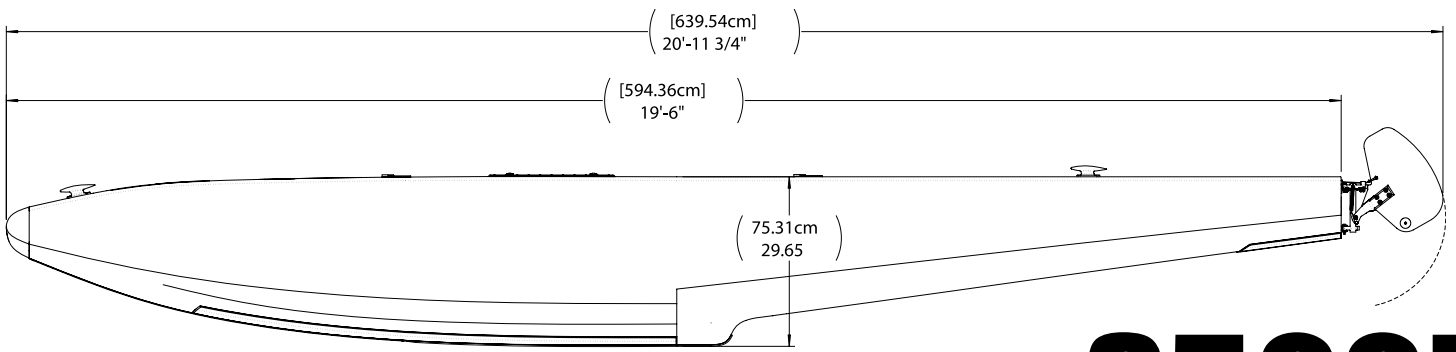


3500L series



AEROCET
INCORPORATED





3500L

STRAIGHTS

Float
3500L

Airplane
180, 182, 185
206, BUSHHAWK

Buoyancy
3515 LBS.

Maximum Floatation
3905 LBS. (90%)

Weight
448 LBS.*

*Including all struts and attachment hardware.

COMPOSITES

Performance

- Super large sweet spot, ease of use and the most forgiving floats for novice and pro alike
- Very slippery –minimal sensation of acceleration is felt after leaving the water
- Getting on the step is reached very quickly to get you off the water and into the air fast

Hull Design

- Double Fluted design delivers superior strength to weight ratings
- Molded-in boarding steps
- Sharp edges for reduced drag and increased hydrodynamics
- Large flat deck with molded in antiskid
- Best design for performance in both rough water and smooth water conditions

Construction

- No Corrosion
- No rivets means no rivet leaks
- Common aerospace E-Glass and simple easy-to-use vinyl ester resin
- Non-sandwich bottom skin, makes any field repair an easy process
- High impact sandwich core used on top and sides adds durability and strength

COMPARTMENTS

Six Watertight Compartments

- One more compartment than most
- No large holes for rudder controls (causes easy flooding)
- Large access panels with integrated preflight pumpouts that use all stainless hardware
- Storage locker built into center compartment (39"L x 26"D x 25"W) (14.7 cubic feet) with super large access door and optional floorboards for flat storage

HARDWARE

Hull Protection

- Aluminum Keel wear strip that is rugged and easily replaced
- Special aluminum chine rub strip designed to resist constant abrasion and provides another seam overlap

Spreader Bar

- New extrusion design with internal shear web
- Impervious to crushing under forklift and clamping loads
- Simple, high strength, lightweight spreader bar socket with integral grease fittings

Water Rudders

- Utilizes stainless tiller posts, brackets and fasteners and large bearings for overstress loads
- No rubber seals to crack and leak, and no deck cables and turnbuckles to trip over
- Maximum maneuverability with large rudders

AEROCET
INCORPORATED