

SH

DESCRIPTION

Each mount consists of two heavy duty square outer plates with corner hole fixings fully bonded to circular profiled rubber layers separated by interleaf plates.

The AMC MECANOCAUCHO® type SH mounts provide high static and shock load capacities in compression with a minimum deflection, maintaining a low shear stiffness rate.

TECHNICAL CHARACTERISTICS

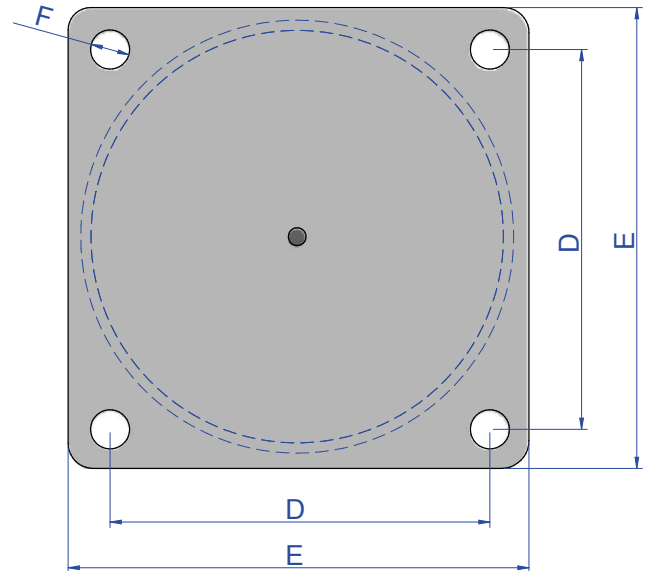
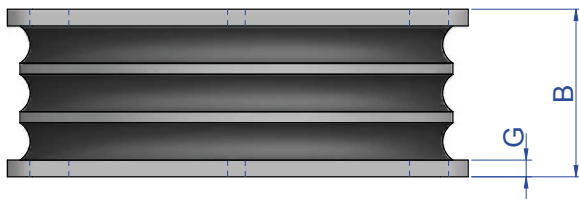
The AMC MECANOCAUCHO® type SH mounts are designed for long lasting heavy duty applications.

They can be supplied in 3 different hardness and 3 different sizes to suit applications where the compression load per mount is between 2 to 40 Tons.

APPLICATIONS

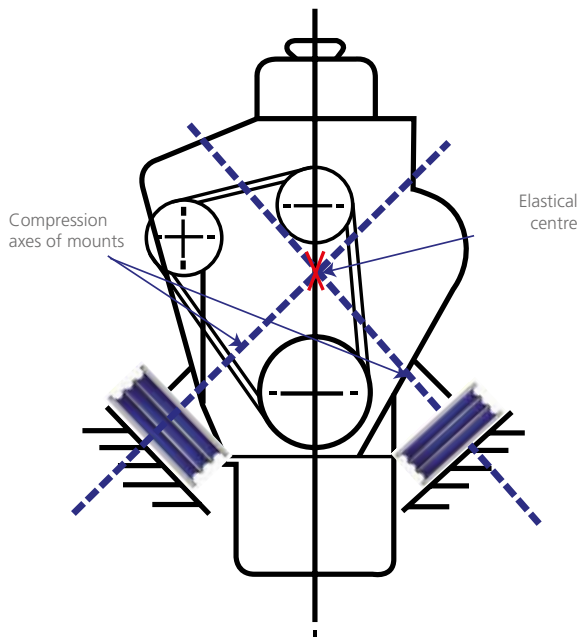
High compression capacity, low shear stiffness and relatively low installed heights make the mounts ideal for: Vibratory rollers, Mills, Presses, Heavy machinery, Feeder screens.

Due to their high load capacity these mounts are also used as point bearings for the vibration isolation of building structures.

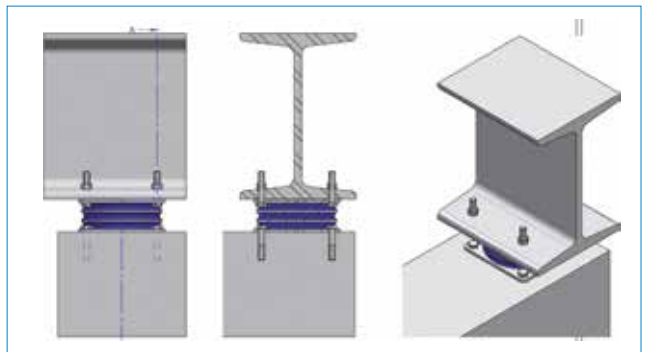
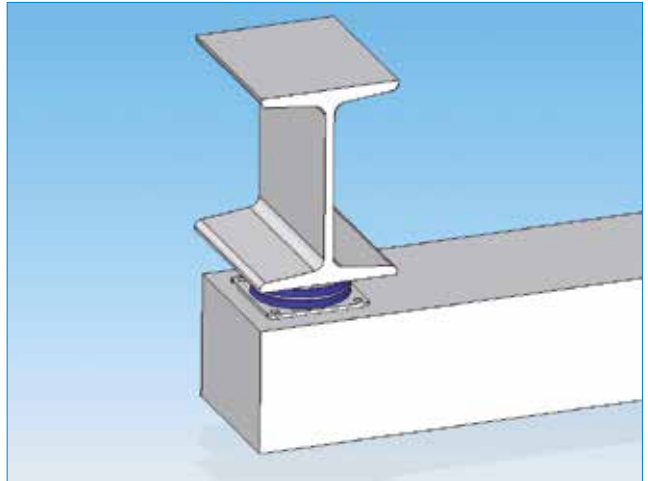


Type	B (mm.)	D (mm.)	E (mm.)	F (mm.)	G (mm.)	Weight (Kg.)	Code	Shore	Max. Load (Kg.)
SH 125	52	118	148	13,5	5	2,5	148213	45 Sh	2250
							148215	60 Sh	4500
SH 150	63	136	166	13,5	6	4,5	148201	45 Sh	3750
							148202	60 Sh	7500
SH 200	78,5	184	220	17	8	9	148204	45 Sh	6000
							148205	60 Sh	12000
SH 300	120	270	310	22	10	27	148207	45 Sh	15000
							148208	60 Sh	30000
							148209	70 Sh	40000

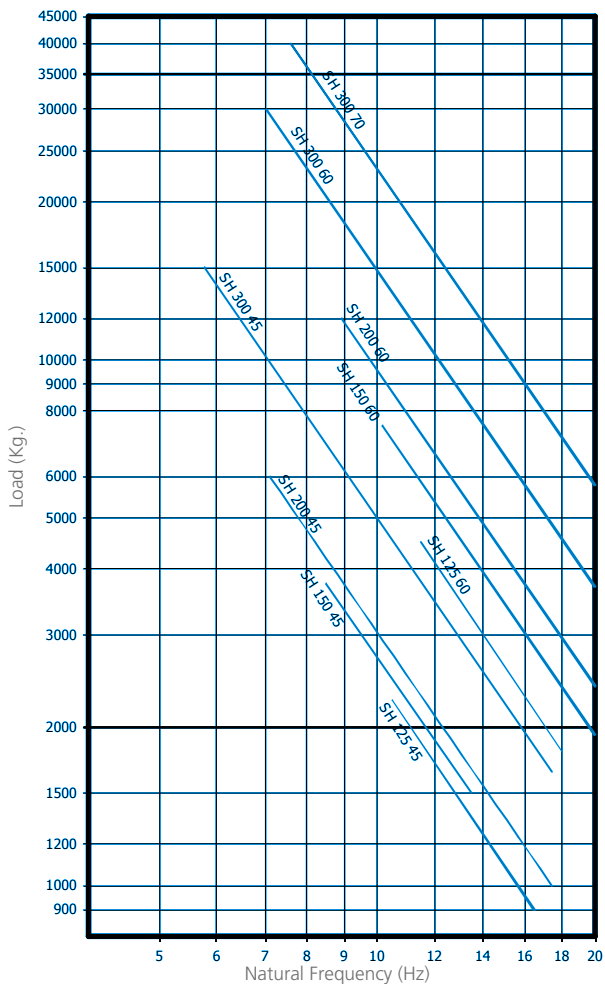
“VEE” INCLINED INSTALLATION CONFIGURATION



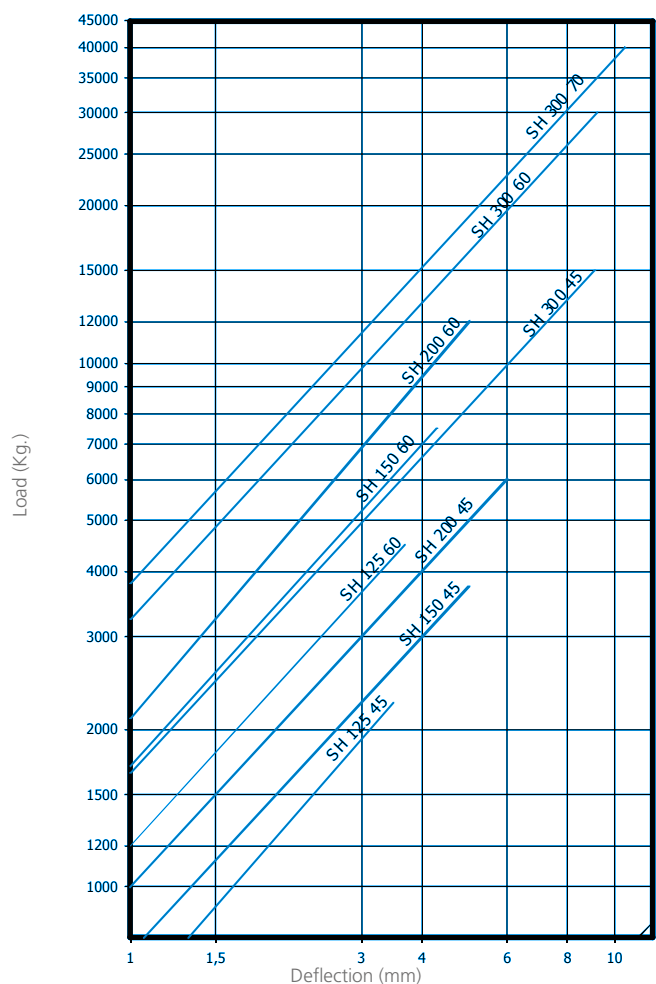
AMC MECANOCAUCHO® technical department can calculate a precise angle configuration in order to achieve an optimum compromise between isolation and stability of the suspended equipment



NATURAL FREQUENCY
AMC MECANOCAUCHO® SH TYPE

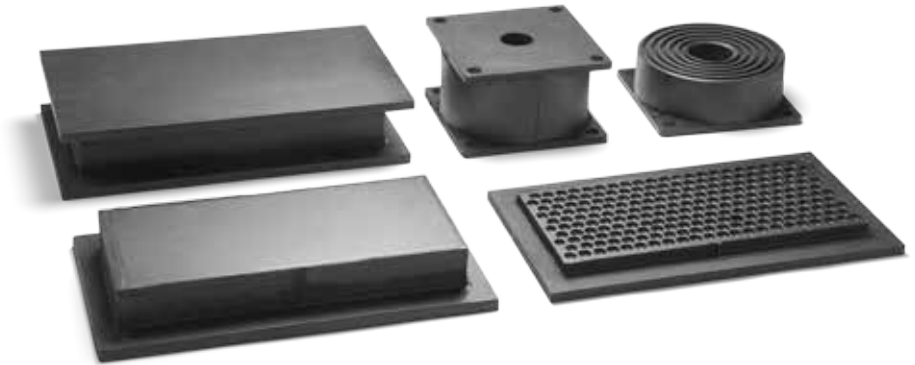


LOAD DEFLECTION GRAPH
AMC MECANOCAUCHO® SH TYPE



* In order to adapt its products to the state of the art, AMC .A. reserves the right to modify the conception and manufacture of the materials presented in this catalogue without prior notice.

MOUNTS FOR LARGE LOADS



AMC MECANOCAUCHO® ANTI-SKID B

Type	Code	Load (Kg.)	Deflection mm.
Anti-skid B	141003	8.000	3

AMC MECANOCAUCHO® TYPE B

Type	Code	Load (Kg.)
Type B	141004	10000

AMC MECANOCAUCHO® TYPE P

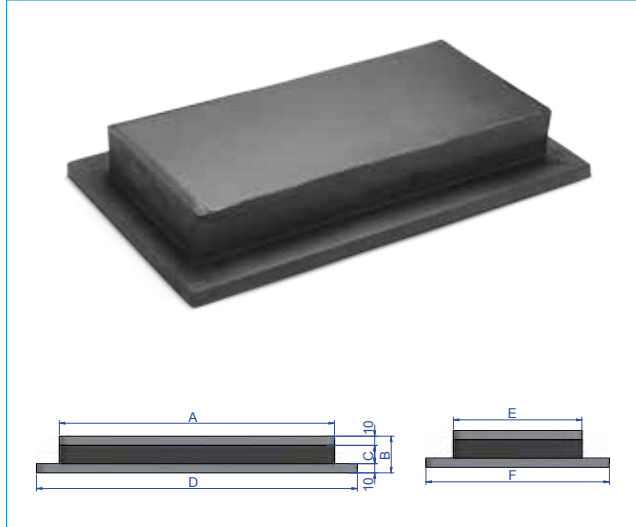
Type	Code	Load (Kg.)	Deflection mm.
Type P	141005	2.500	15

AMC MECANOCAUCHO® TYPE ANTI-SKID P

Type	Code	DIMENSIONS mm.	Max. Load (Kg./cm²)
Type P Anti-skid	141006	400x400	6

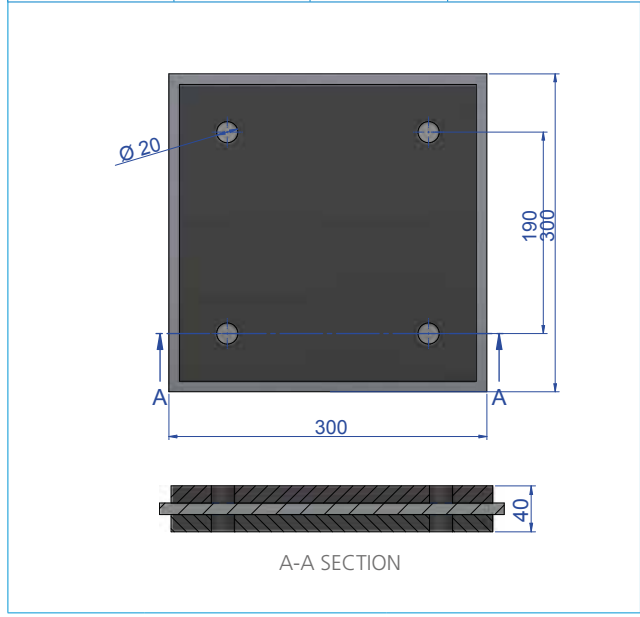
AMC MECANOCAUCHO® TYPE S

Type	A (mm.)	B (mm.)	C (mm.)	D (mm.)	E (mm.)	F (mm.)	DEFLECTION mm.	Code	Load (Kg.)
L-40	300	40	20	350	140	200	5	141021	15000
L-50	300	50	30	350	140	200	5	141022	13000
L-60	300	60	40	350	140	200	5	141023	11000
L-70	300	70	50	350	140	200	5	141024	9000

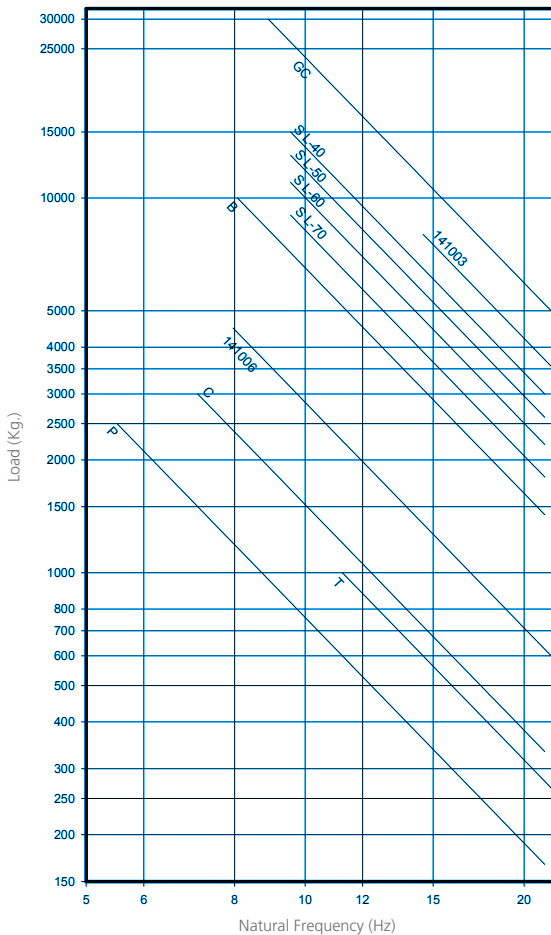


AMC MECANOCAUCHO® TYPE G.C.

Type	Code	Load (Kg.)	DEFLECTION mm.
Type G.C.	141041	30000	8



NATURAL FREQUENCY
AMC MECANOCAUCHO® MOUNTS FOR LARGE LOADS



LOAD DEFLECTION GRAPH
AMC MECANOCAUCHO® MOUNTS FOR LARGE LOADS

