

IF you Win 1 of 2 you Get to 3

IF you Lose 2 your OUT

This **Backgammon Plus3 - BG+3** game consist of playing 2-3 **MATCHES** of Backgammon and the player who wins 2 **BGPLUS** [+] Matches in their bracket goes to the **PLAYOFF** Bracket.

+ is a win & - is a loss

If a Player **Wins** the First **2 ++** Matches then they go to the **PLAYOFF** Bracket
the **2 --** **Losers** are **OUT**, eliminated.

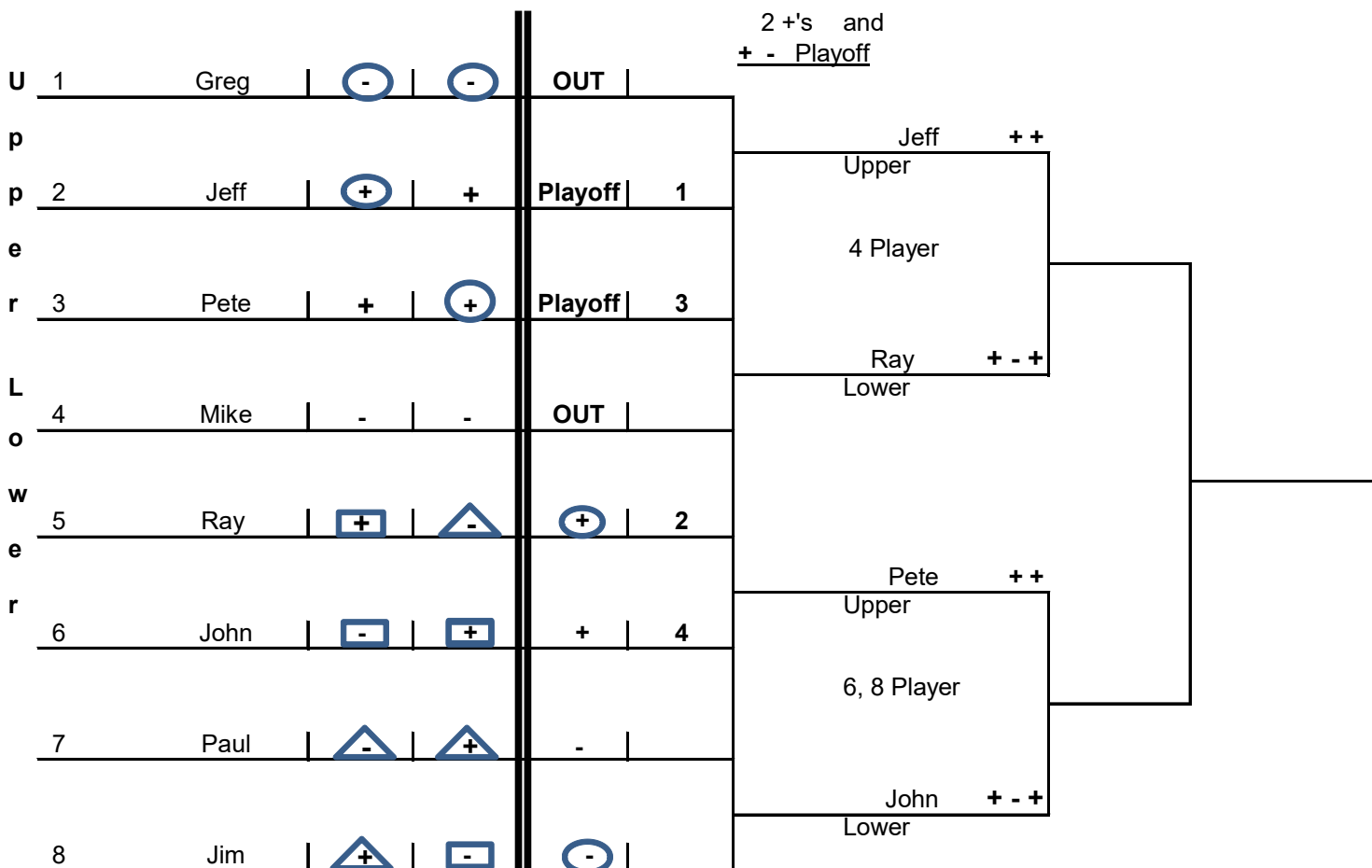
IF there are **BG+3 Match Ties** (+ -) for the First **2 Matches** then
- Tie Players play a **3rd Match** to advance to the **Playoff** Bracket.
(To quicken/lengthen the game, Playoff Matches can be lower/higher points)

8 Player Bracket



BG+3 BACKGAMMON

BGplus.US



Here with an **8 Player Bracket** we see **2 ++ Playoffs** going to the **PLAYOFF** Bracket and **4 Match Ties** play the **3rd** game .
MATCH TIES - Ray plays Jim and John plays Paul to see who goes to the **PLAYOFF** Bracket.

Next is a 6 Player Bracket

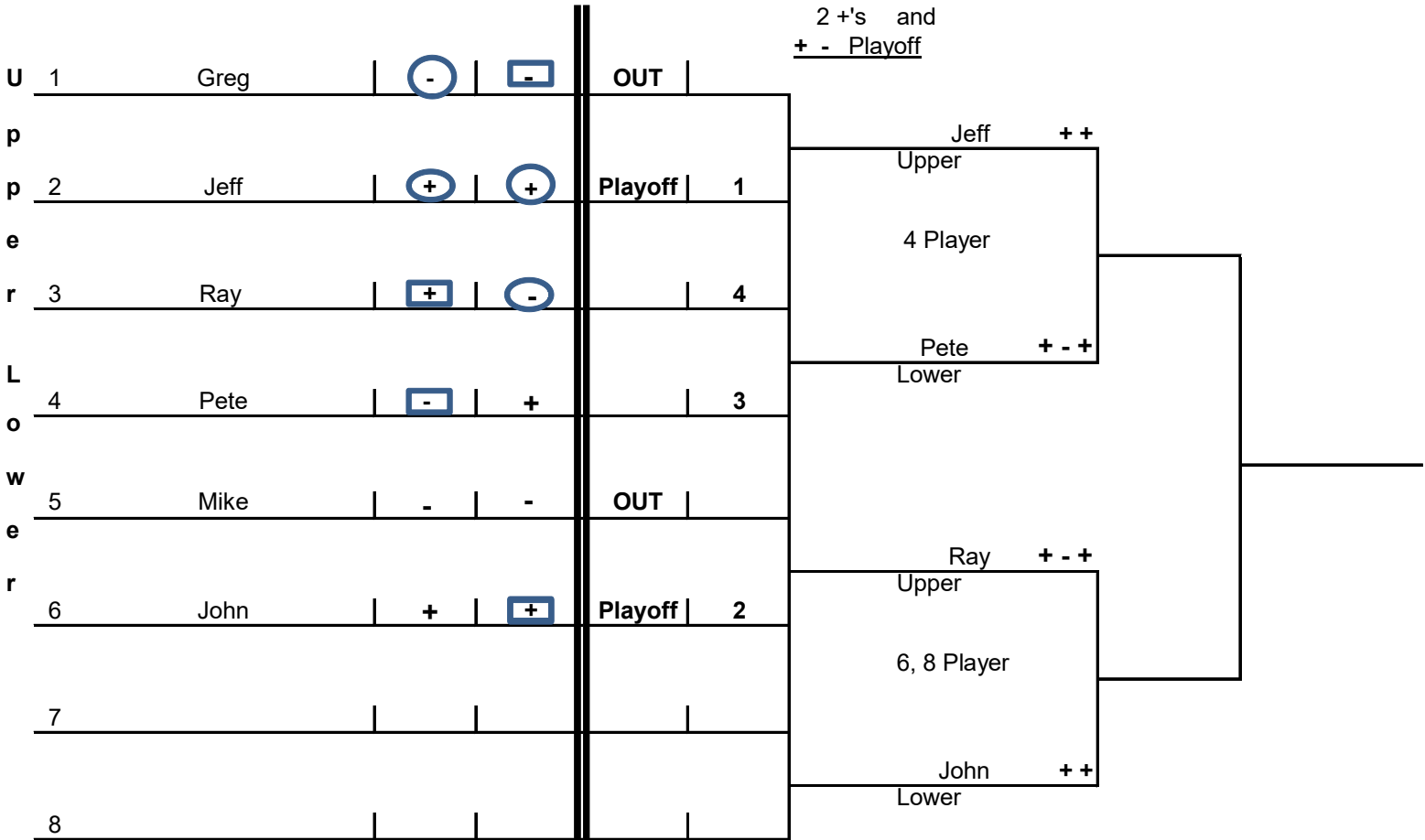
6 Player Bracket

Scenario -1- TWO ++ Winners – ALL Winners play



BG+3 BACKGAMMON

BGplus.US



In this 6 Player Bracket the
2 Double Losers (- -) are eliminated (OUT)
and the 4 (+) players go to the PLAYOFF Bracket.

Next is more 6 Player Bracket

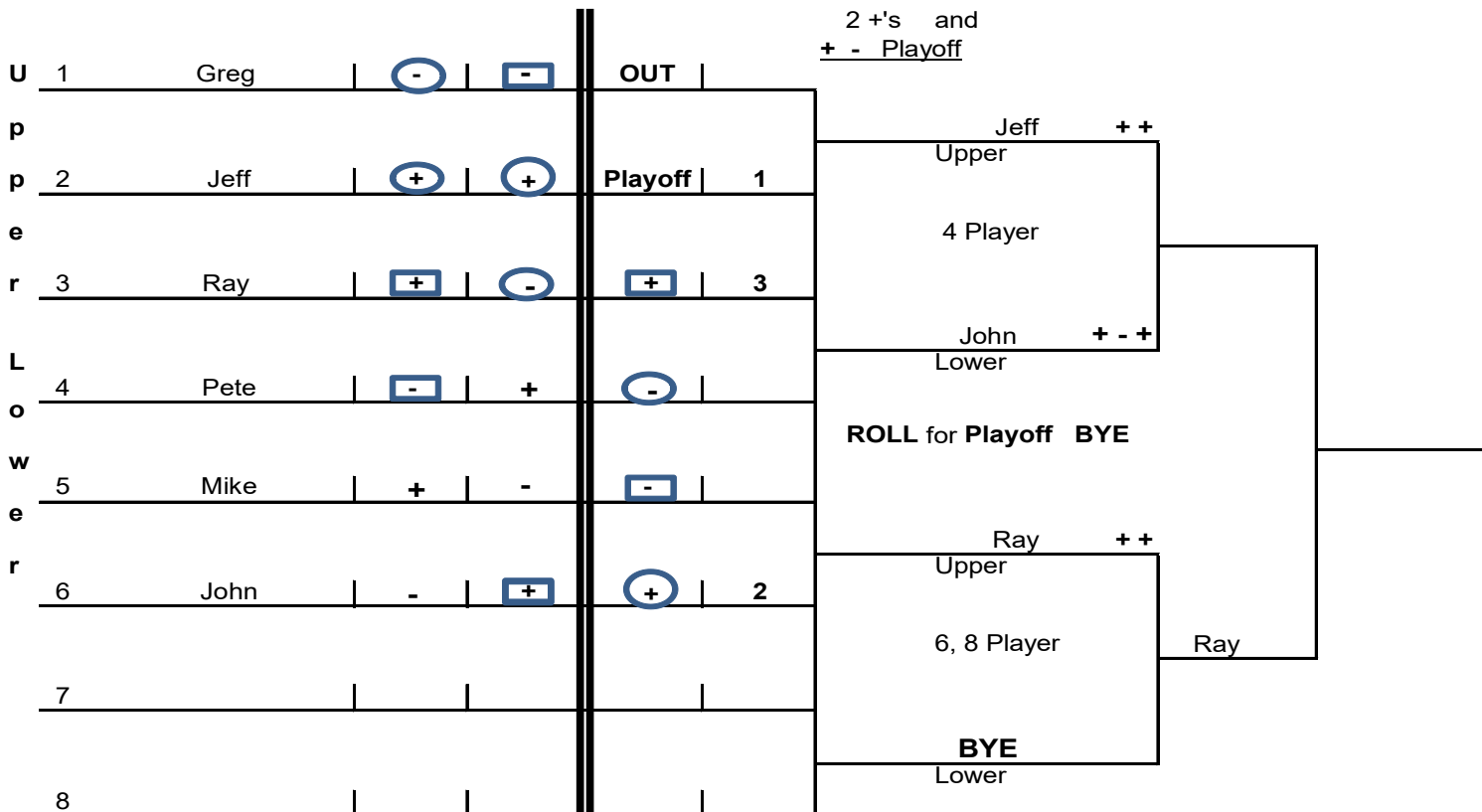
6 Player Bracket

Scenario -2- ONE ++ Winner Goes to Playoff – ALL Roll for Playoff BYE



BG+3 BACKGAMMON

BGplus.US



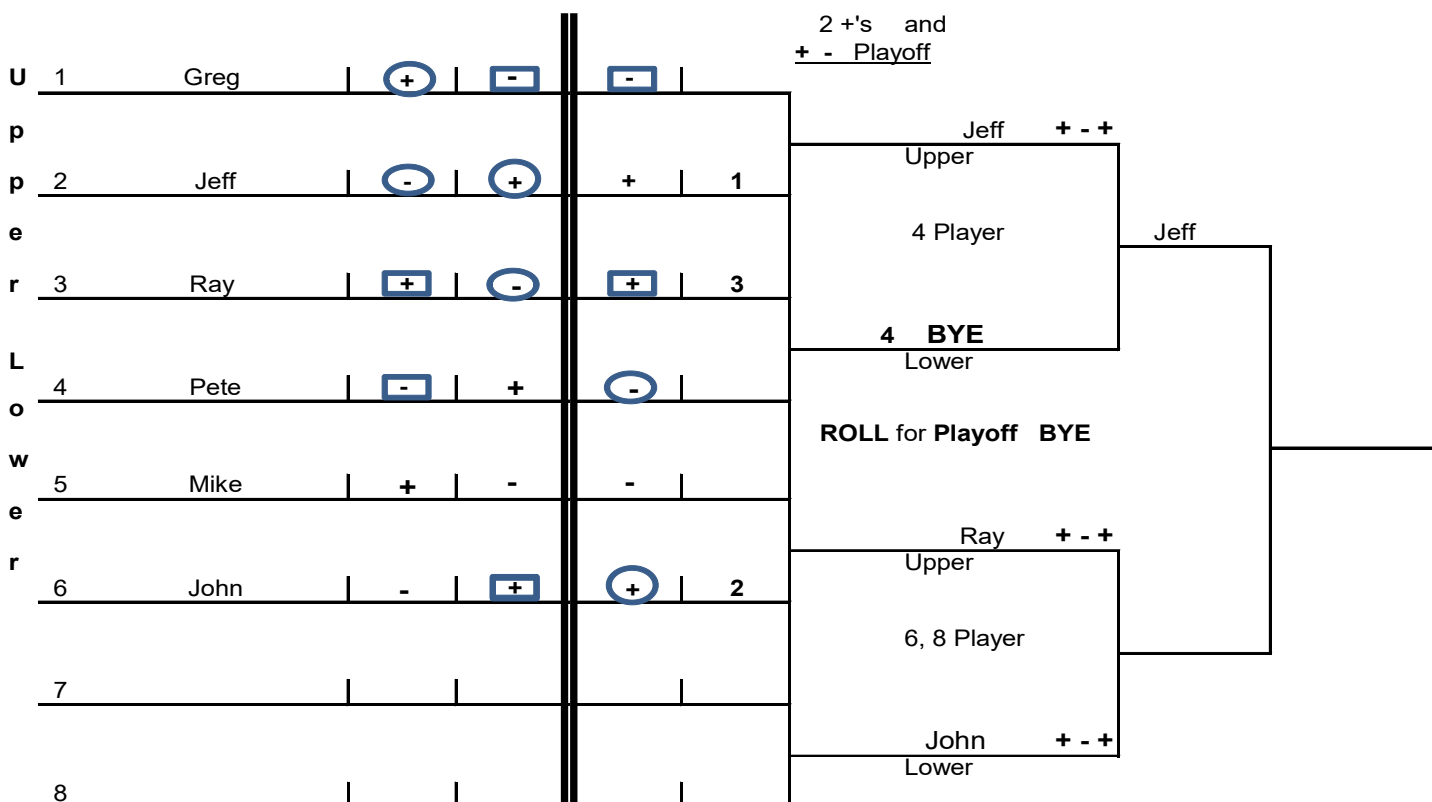
6 Player Bracket

Scenario -3- THREE +-+ Winners – All ROLL for Playoff BYE



BG+3 BACKGAMMON

BGplus.US



Next is **10** Player Bracket

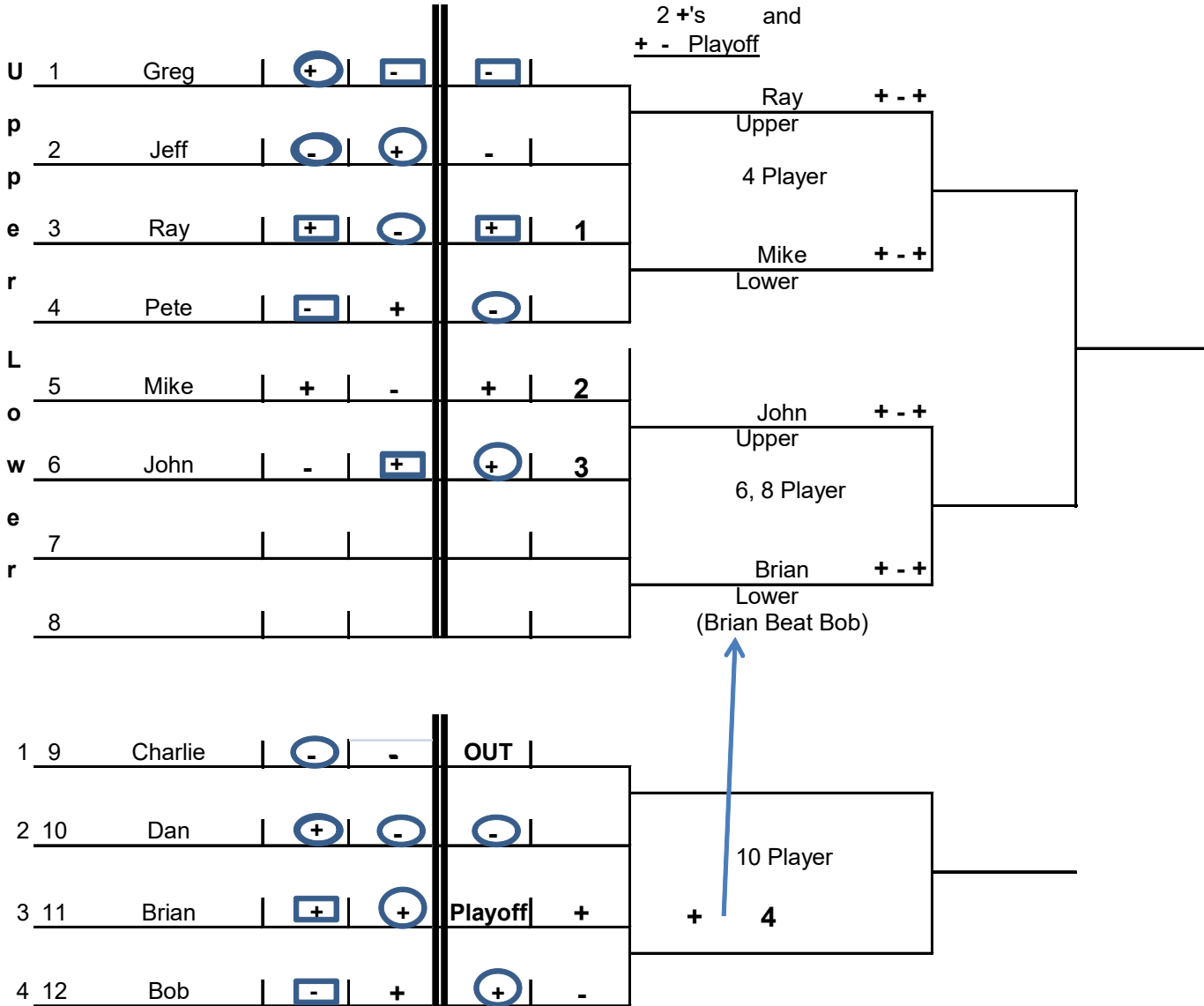
10 Player Bracket

Scenario -1- One + + Winner in 4 Bracket – Goes to Playoff



BG+3 BACKGAMMON

BGplus.US



Next is more 10 Player Bracket

10 Player Bracket

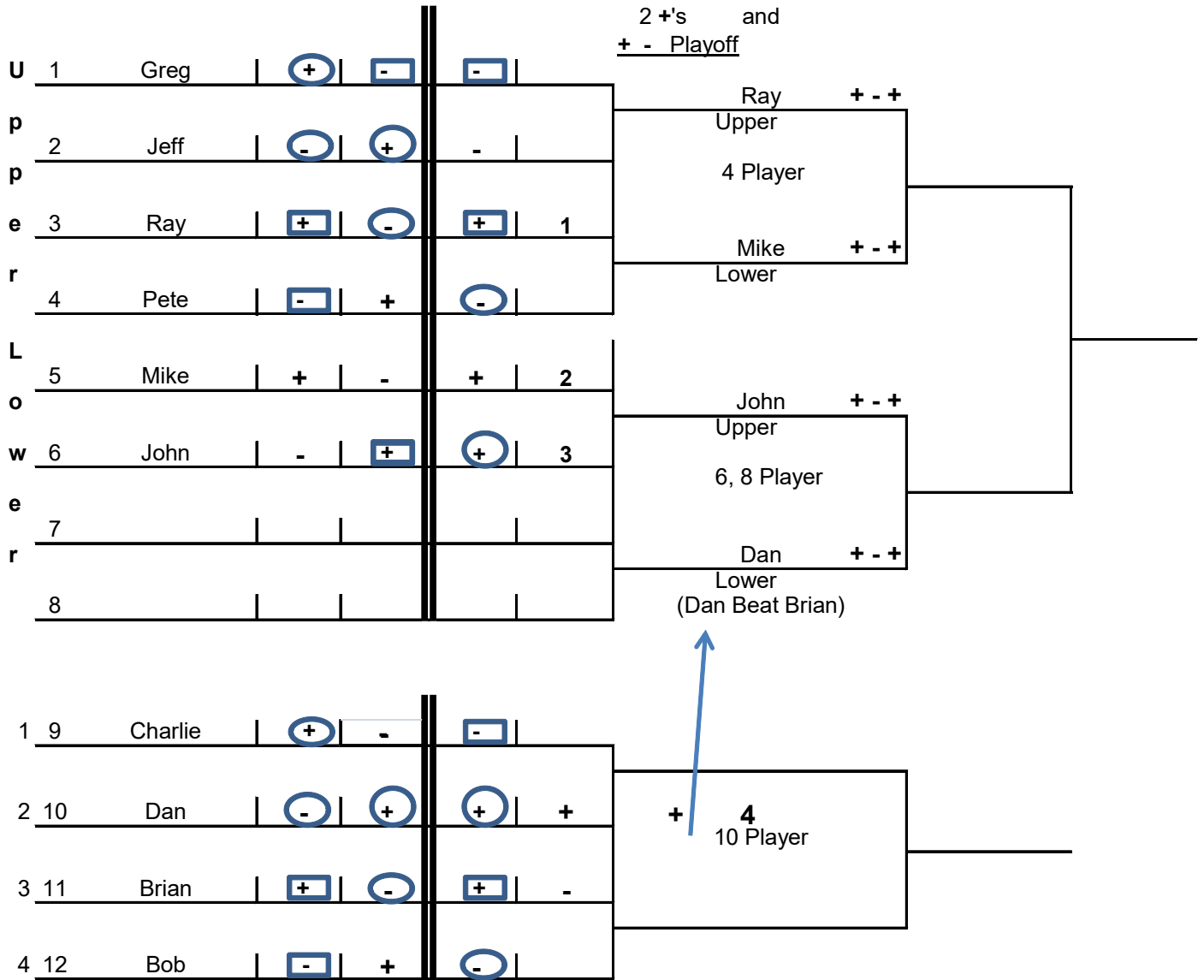
Scenario -2- NO ++ Winner in 4 Bracket



BG+3 BACKGAMMON

BGplus.US

2 +'s and
+ - Playoff



Next is another 10 Player Bracket

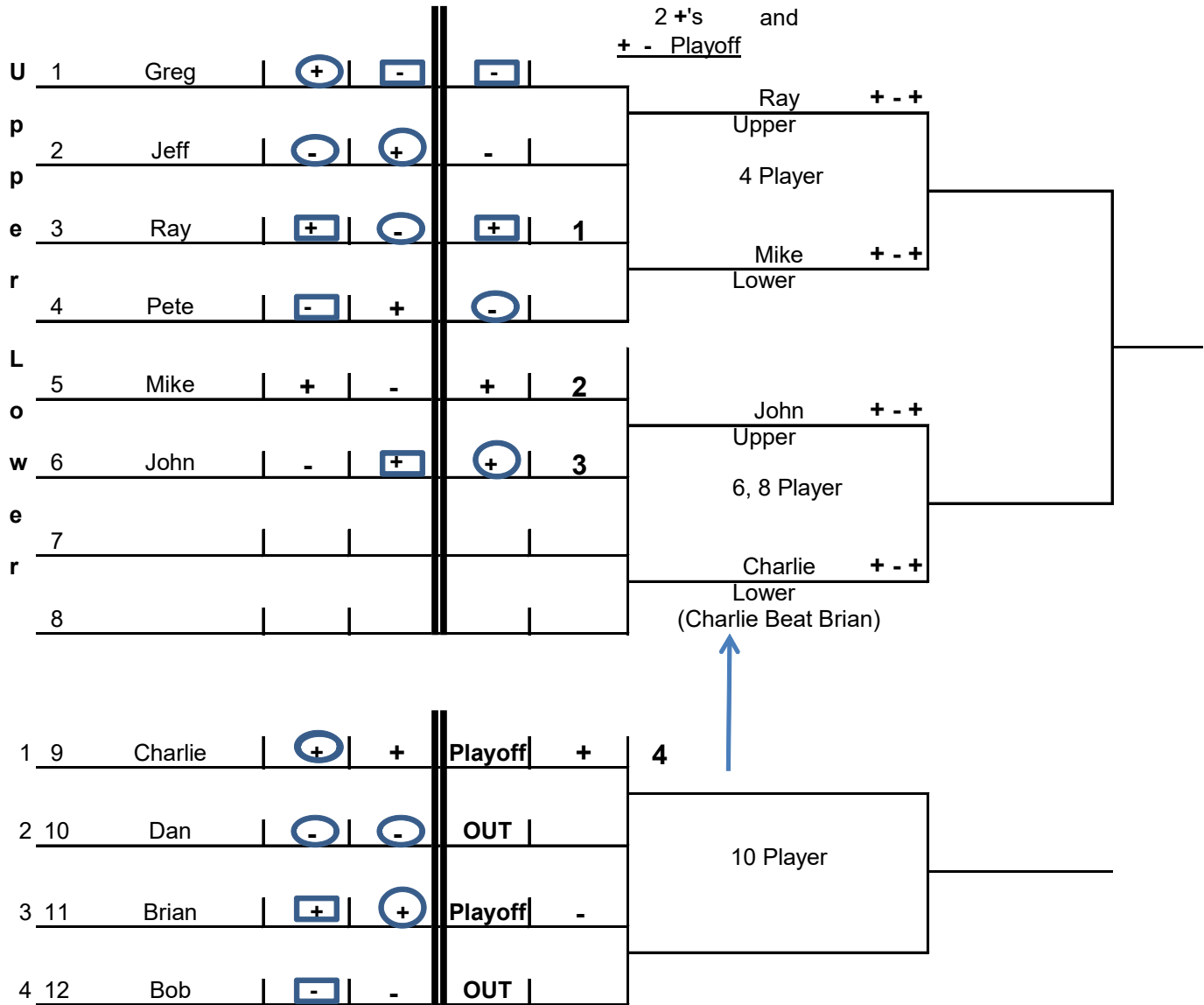
10 Player Bracket

Scenario -3- TWO + + Winners in 4 Bracket



BG+3 BACKGAMMON BGplus.US

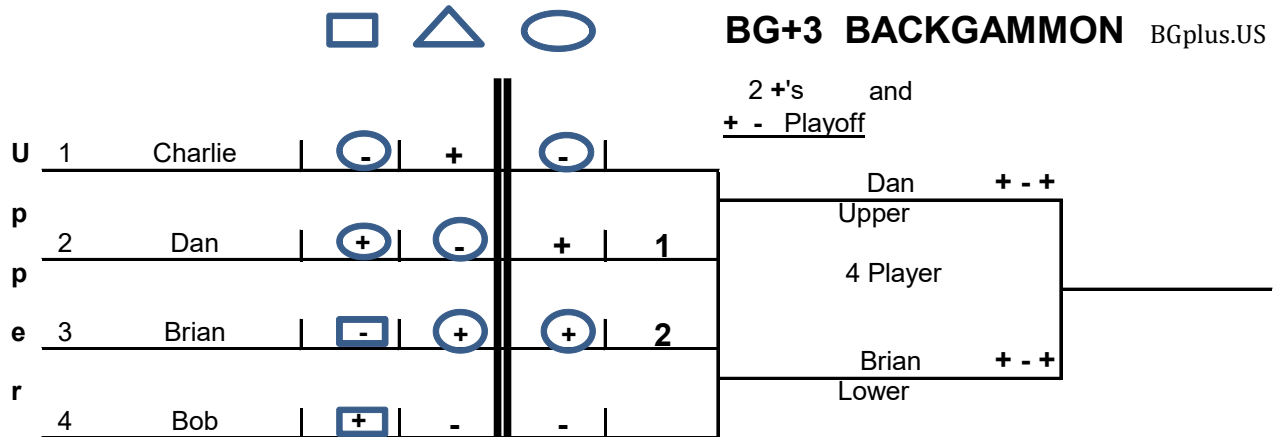
2 +'s and
+ - Playoff



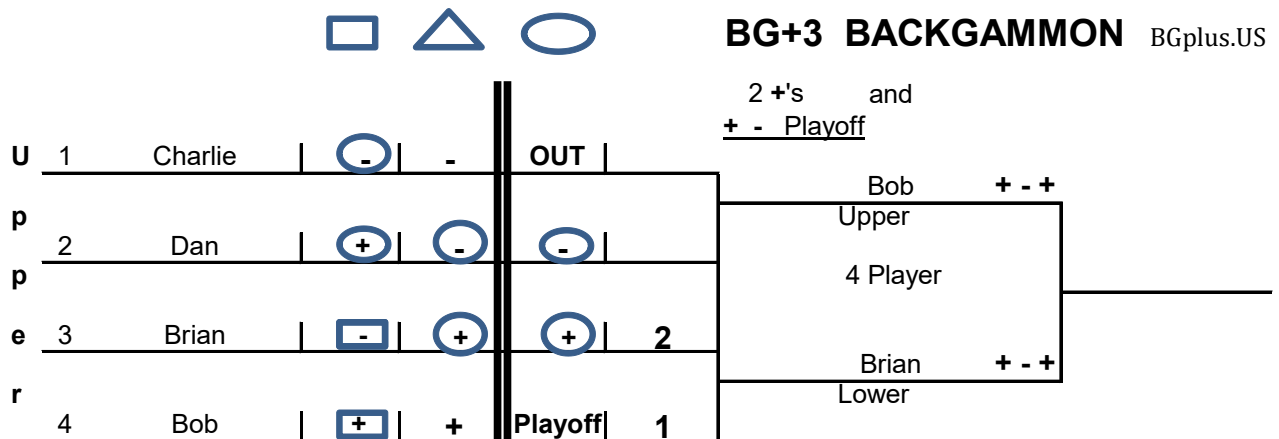
Next is a 4 Player Bracket

4 Player Bracket

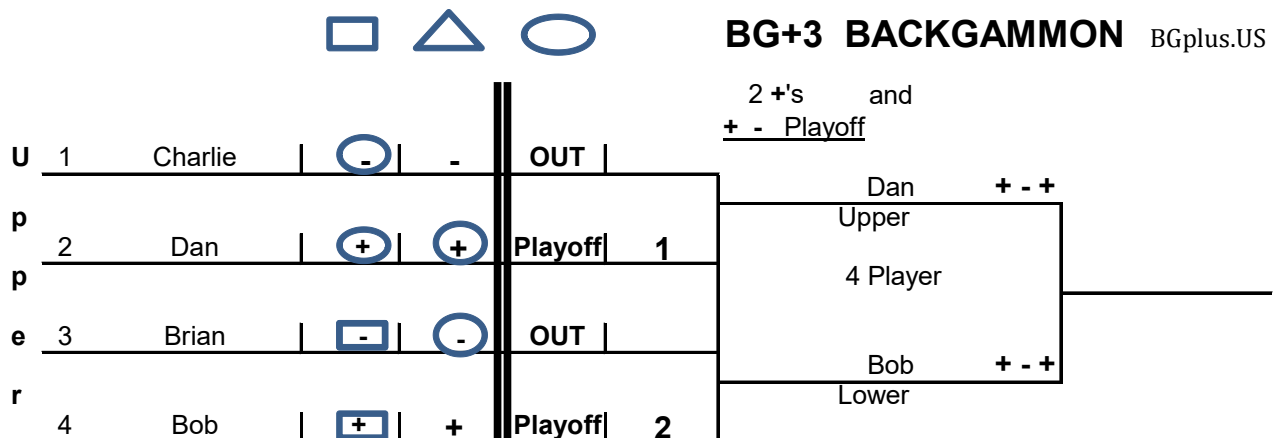
Scenario -1- NO ++ Winner in 4 Bracket – All Play 3rd Match



Scenario -2- One ++ Winner in 4 Bracket – Goes to Playoff

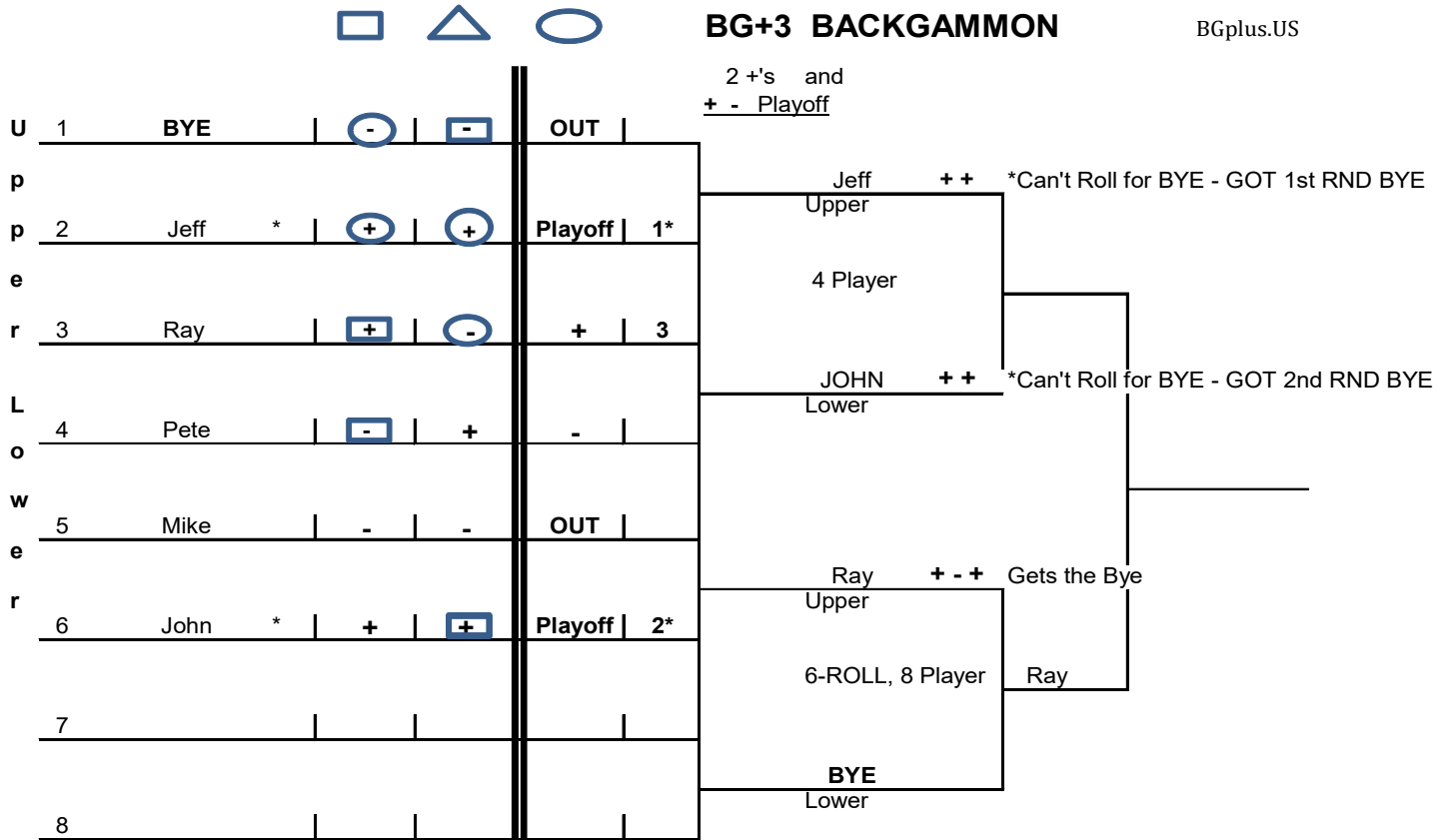


Scenario -3- TWO ++ Winners in 4 Bracket – Both Go to Playoff

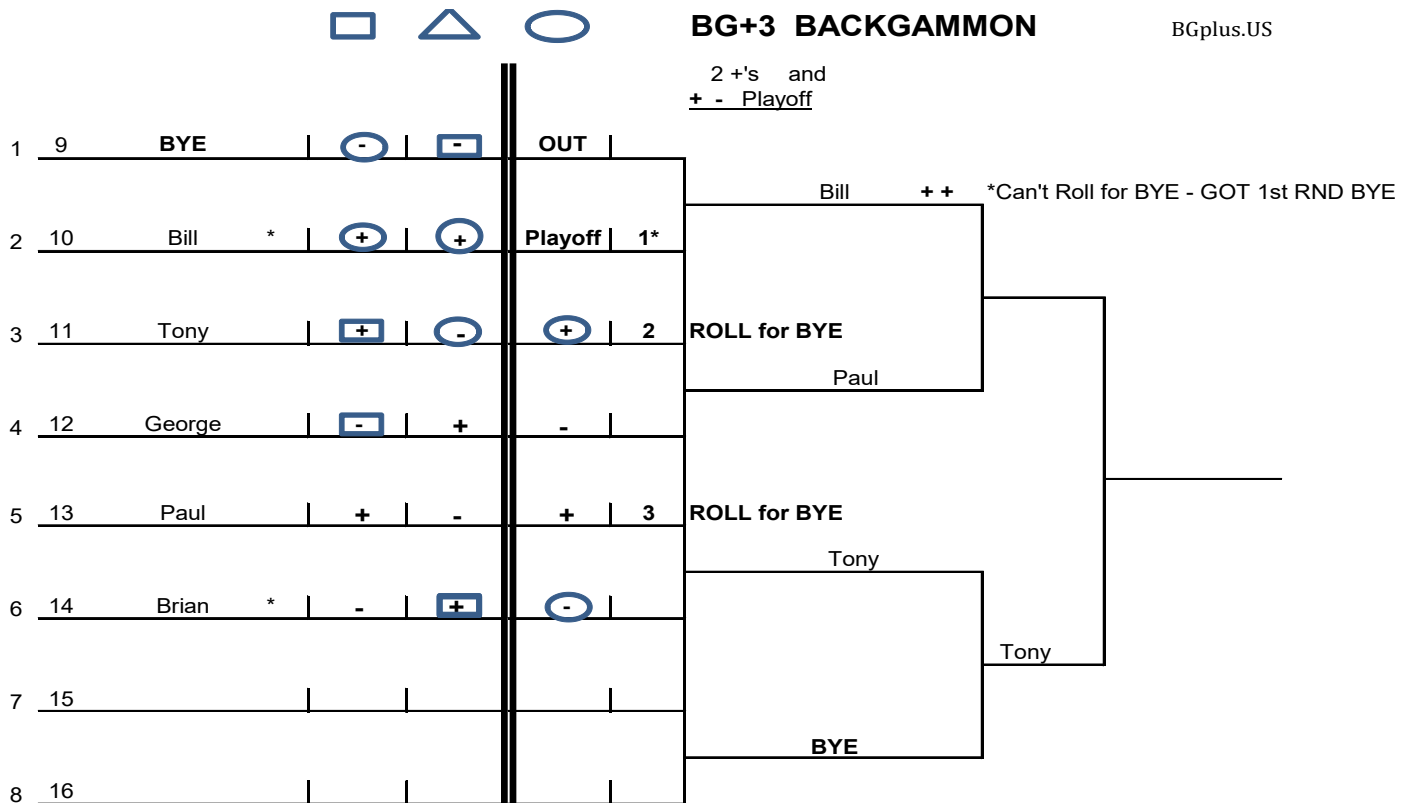


10 Player Bracket - 5X5 - 1&2 Rnd BYE

Scenario -1- TWO ++ Winners in 5 Bracket - 3rd Rnd Winner Gets Bye



Scenario -2- ONE ++ Winner in 5 Bracket - Roll for Bye



10 Player Bracket - 5X5 - 1&2 Rnd BYE

Scenario -3- ONE ++ Winner in 5 Bracket - 3rd RND Winner Gets Bye

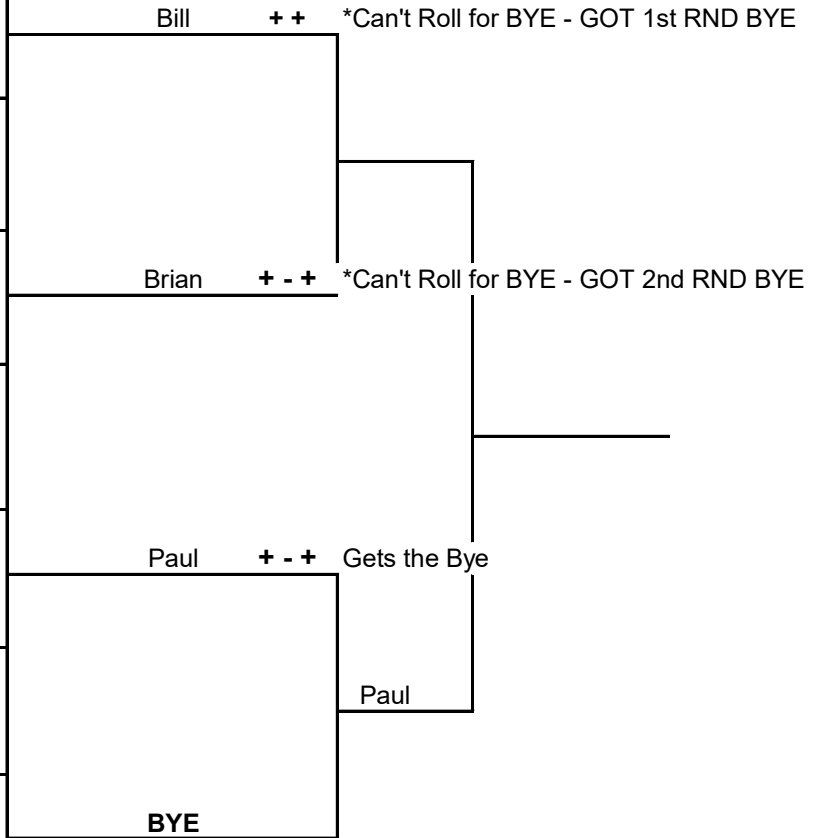


BG+3 BACKGAMMON

BGplus.US

2 +'s and
+ - Playoff

| | | | | | | | | |
|---|----|--------|---|---|---|--|---------|----|
| 1 | 9 | BYE | | | | | OUT | |
| 2 | 10 | Bill | * | | | | Playoff | 1* |
| 3 | 11 | Tony | | | | | | |
| 4 | 12 | George | | | + | | - | |
| 5 | 13 | Paul | | + | - | | + | 3 |
| 6 | 14 | Brian | * | - | | | | 2* |
| 7 | 15 | | | | | | | |
| 8 | 16 | | | | | | | |



SCORECARD

| | | □ △ ○ | BG+3 e BACKGAMMON | BGplus.US |
|--------|----|---------------|--------------------------|-----------|
| Match: | | | 2 +'s + - Playoff | Match: |
| U | 1 | | | |
| P | 2 | SCORE CARD | Upper | |
| P | 3 | | 4 Players | |
| e | 4 | | Lower | |
| r | 5 | | | |
| L | 6 | | Upper | |
| o | 7 | | 6 - Roll, 8 Players | |
| w | 8 | | Lower | |
| e | 9 | | | |
| r | 10 | SCORE CARD | 10 Players | |
| 1 | 11 | | | |
| 2 | 12 | | | |
| 3 | 13 | | | |
| 4 | 14 | | 10,12 - Roll, 16 Players | |
| 5 | 15 | | | |
| 6 | 16 | | | |
| 7 | 8 | | | |

BACKGAMMON PLUS 3 e 2 Game Score - ++ Gets a 3rd Rnd BYE -- is OUT of game
 ODD # Players - 1st/2nd RND BYE can NOT get Playoff BYE

Players Brackets

| | | | | | | | |
|---|-----------------------------------|-------------------------|---|-----------|------------|-----------|-----|
| IF you Win 1 of 2 you Get to 3 | 1 ++ 3rd Rnd BYE | For 6 | 1-2, 3-4, 5-6 Then | 6 | 6 | 12 | 6 6 |
| | 2 ++ ALL Playoff | Player | 1-6, 2-3, 4-5 Then | | | | |
| | 3 + - + Roll for BYE | Bracket | 1-3, 2-5, 4-6 | | | | |
| | 1-2 ++ 3rd Rnd BYE | For 8 | 1-2, 3-4, 5-6, 7-8 Then | 8 | 8 | 14 | 8 6 |
| | Player | 1-3, 2-4, 5-7, 6-8 Then | | | | | |
| | | Bracket | 1-4, 2-3, 5-8, 6-7 | | | | |
| | IF you Lose 2 your OUT | 1 ++ 3rd Rnd BYE | For 4 | 10 | 5 5 6 4 | 16 | 8 8 |
| | Player | 1-2, 3-4 Then | | | | | |
| | | Bracket | 1-4, 2-3 Then 1-3, 2-4 / 9-11, 10-12 | | | | |