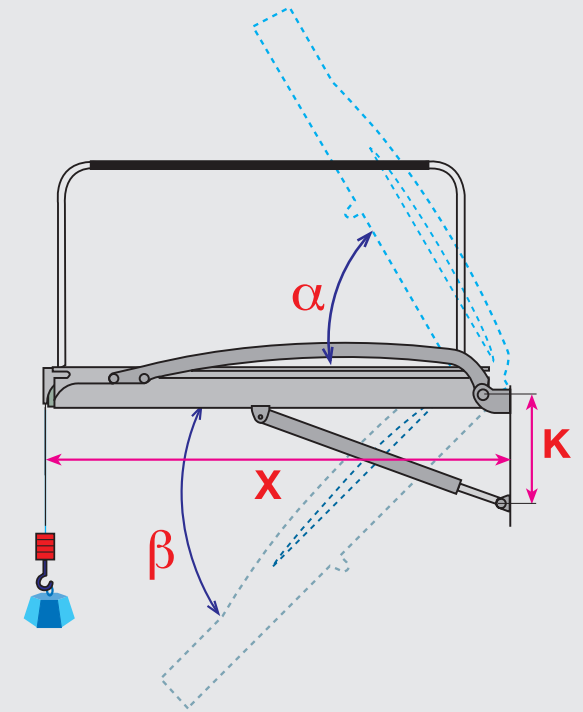
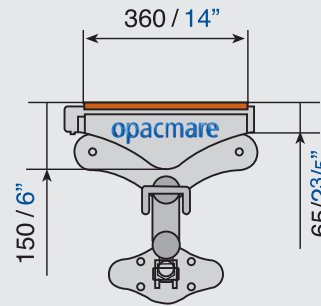


TELESCOPIC PASSERELLE 3443 "Mini Dolphin"



X = maximum length of passerelle when extended
K = the minimum distance to maintain between the centre of rotation of the passerelle and the centre of rotation of the ram (K)

α and **β** = the total angle the passerelle can achieve

The drawing have been studied considering a vertical transom. Variations of the transom angle and the different heights of dimension **K** will produce different values of angle **α** and **β**.

model	X (mm/inch)	K (mm/inch)	α	β	capacity standard (kg/lbs)	weight (kg/lbs)
3443/16	1670 / 66"	300 / 114/5"	45°	40°	160 / 350	26 / 60
3443/19	1995 / 79"	300 / 114/5"	45°	40°	160 / 350	32 / 70
3443/23	2310 / 91"	300 / 114/5"	45°	40°	160 / 350	38 / 85
3443/25	2595 / 102"	300 / 114/5"	45°	40°	110 / 250	42 / 95

IDEAL FOR TENDER LIFTING

This passerelle for a total loading of 150 Kg / 330 lbs.

UPDATED ON 19/11/10

