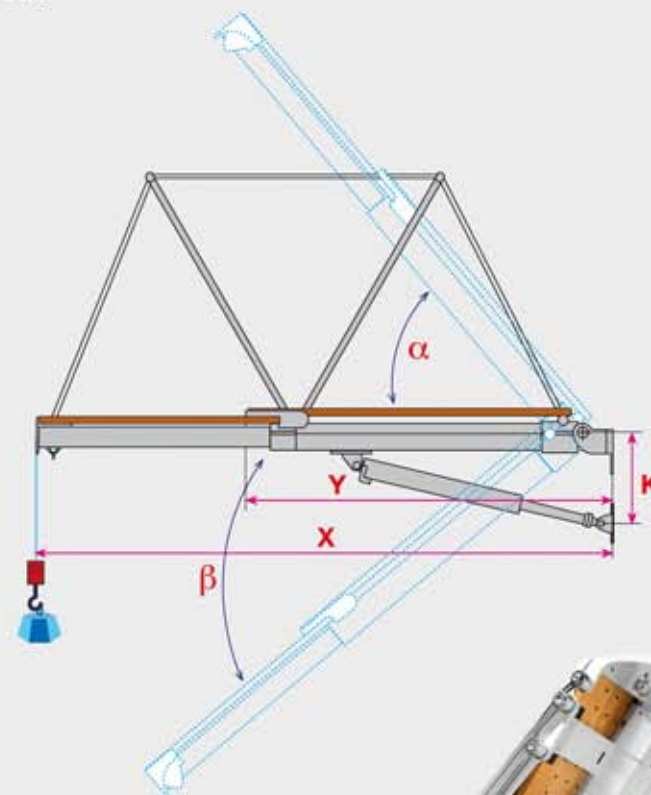
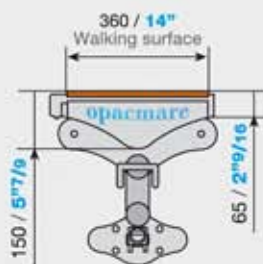


TELESCOPIC PASSERELLE 3773 Dolphin



X = maximum length of passerelle when extended

Y = minimum length of passerelle when retracted

K = the minimum distance to maintain between the centre of rotation of the passerelle and the centre of rotation of the ram (K)

α and **β** = The total angle the passerelle can achieve.

The drawing have been studied considering a vertical transom. Variations of the transom angle and the different heights of dimension **K** will produce different values of angle **α** and **β**.

model	X (mm/inch)	Y (mm/inch)	K (mm/inch)	α	β	loading capacity standard (kg/lbs)	weight (kg/lbs)
3773/19	1900	1180	300	45°	40°	200	62
	75"	47"	12"			440	140
3773/23	2380	1480	300	45°	40°	170	70
	93"	58"	12"			380	155
3773/26	2630	1595	300	45°	40°	150	83
	104"	63"	12"			330	185

IDEAL FOR TENDER LIFTING

This passerelle for a total loading 120 Kg / 270 lbs (one person only).