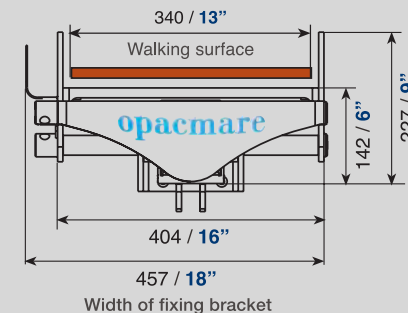
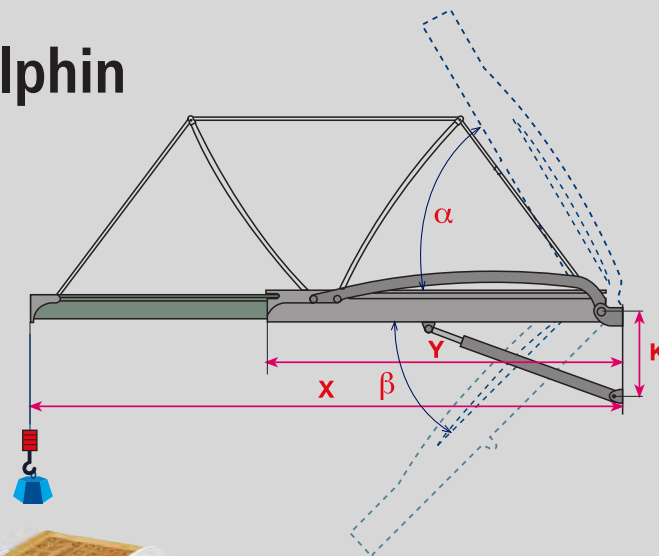


TELESCOPIC GANGWAY 3883 Maxi Dolphin



X = maximum length of gangway when extended
 Y = minimum length of gangway when retracted
 K = the minimum distance to maintain between the centre of rotation of the gangway and the centre of rotation of the ram (K)
 α and β = The total angle the gangway can achieve.

The drawing have been studied considering a vertical transom. Variations of the transom angle and the different heights of dimension K will produce different values of angle α and β .

model	X (mm/inch)	Y (mm/inch)	K (mm/inch)	α	β	portata/capacity standard (kg/lbs)	peso/weight (kg/lbs)
3883/23	2380 94"	1480 58"	300 12"	45°	40°	250 550	84 185
3883/26	2630 104"	1595 63"	300 12"	45°	40°	200 440	86 190
3883/29	2945 116"	1745 68"	300 12"	45°	40°	150 330	90 200

IDEAL FOR JET SKI AND TENDER LIFTING

This gangway for a total loading of 150 Kg. - 350 lbs.

UPDATED ON 06/04/10

