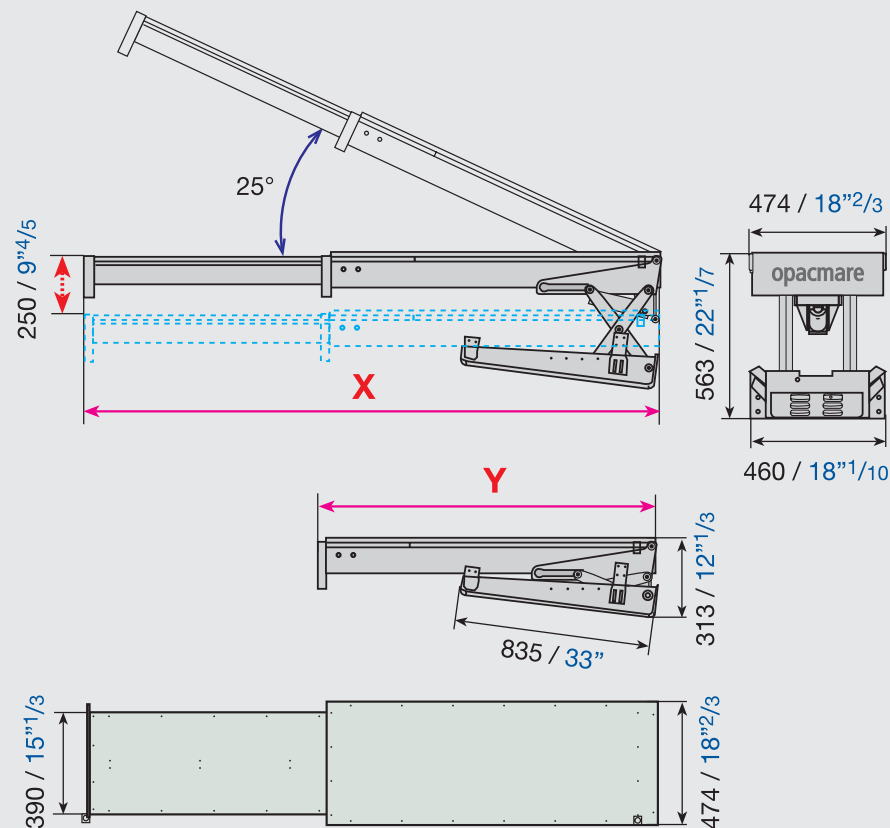


# 3800 "POP UP" TELESCOPIC BUILT-IT GANGWAY



model	X (mm/inch)	Y (mm/inch)	weight (kg/lbs)
3800/15	1520 / 59"	960 / 38"	75 / 165
3800/23	2200 / 87"	1300 / 51"	85 / 190

**X** = maximum length of gangway when extended

**Y** = minimum length of gangway when retracted

CUSTOMIZABLE ACCORDING TO AFT PLATFORM DIMENSIONS

This gangway enables taking the passengers on board but not lifting the tender for a total loading of 150 Kg / 330 lbs.

