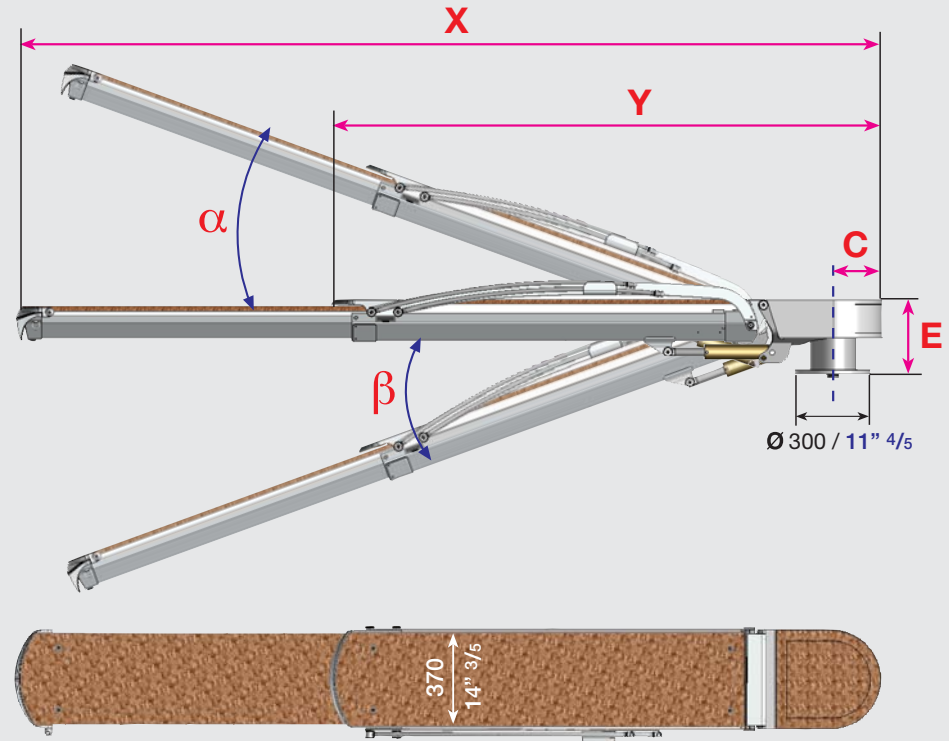
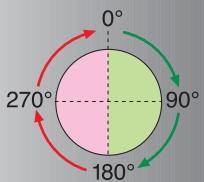


# ROTATING GANGWAYS MAXI DOLPHIN TWISTER model 3893



model	X (inches)	Y (inches)	C (inches)	E (inches)	F (inches)	G (inches)	$\alpha$	$\beta$	rotation standard	rotation opzional	weight (kg/lbs)
3893/28	2790	1890	205	225	360	470	20°	22°	180°	359°	119
	110"	74"	8" 1/8	8" 11/13	14" 1/6	18" 1/2	20°	22°	180°	359°	262
3893/30	3040	2005	205	225	360	470	20°	22°	180°	359°	123
	120"	79"	8" 1/8	8" 11/13	14" 1/6	18" 1/2	20°	22°	180°	359°	271
3893/33	3355	2155	205	225	360	470	20°	22°	180°	359°	128
	132"	85"	8" 1/8	8" 11/13	14" 1/6	18" 1/2	20°	22°	180°	359°	282



X = maximum length of gangway when extended  
 Y = minimum length of gangway when retracted  
 C = rotational range of the base unit

E = height of the rotating base  
 $\alpha$  and  $\beta$  = The total angle the gangway can achieve.

This gangway for a total loading of 150 Kg - 330 lbs.

