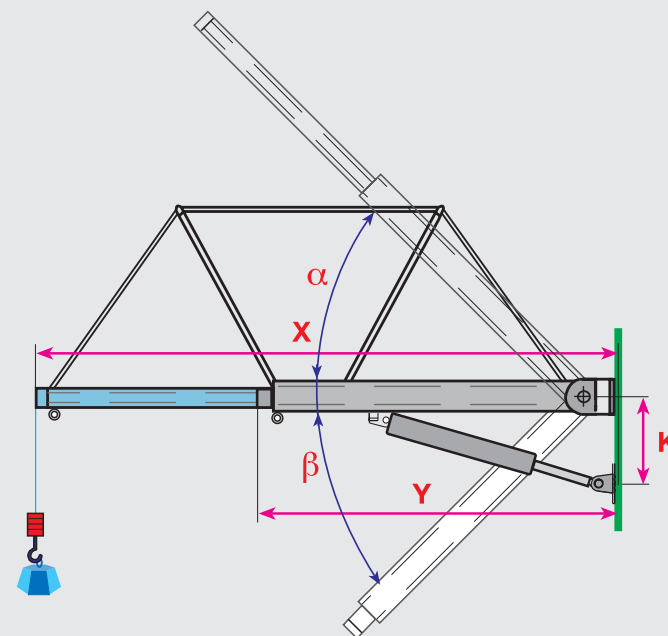
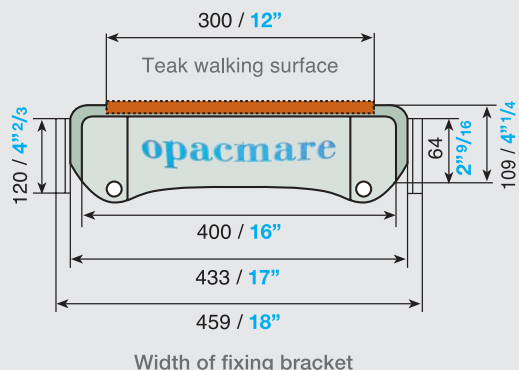


TRANSOM GANGWAY 6996



The translation of the fixing cross of the hydraulic cylinder (included) allow to modify the gangway geometry to improve the using in function of the stern characteristics.



X = maximum length of gangway when extended
 Y = minimum length of gangway when retracted
 K = The minimum distance to maintain between the centre of rotation of the gangway and the centre of rotation of the ram (K)
 α and β = The total angle the gangway can achieve.

The drawing have been studied considering a vertical transom. Variations of the transom angle and the different heights of dimension K will produce different values of angle α and β .

model	X (mm/inch)	Y (mm/inch)	K (mm/inch)	α	β	capacity standard (kg/lbs)	weight (kg/lbs)
6996/25	2525 100"	1545 61"	350 14"	50°	40°	300 660	127 280
6996/27	2725 108"	1695 67"	400 16"	50°	40°	300 660	129 284
6996/30	2975 117"	1795 71"	400 16"	50°	40°	250 550	136 300

IDEAL FOR JET SKI AND TENDER LIFTING.

This gangway for a total loading of 150 Kg. - 350 lbs.

