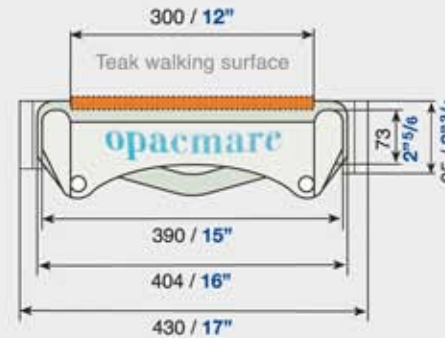


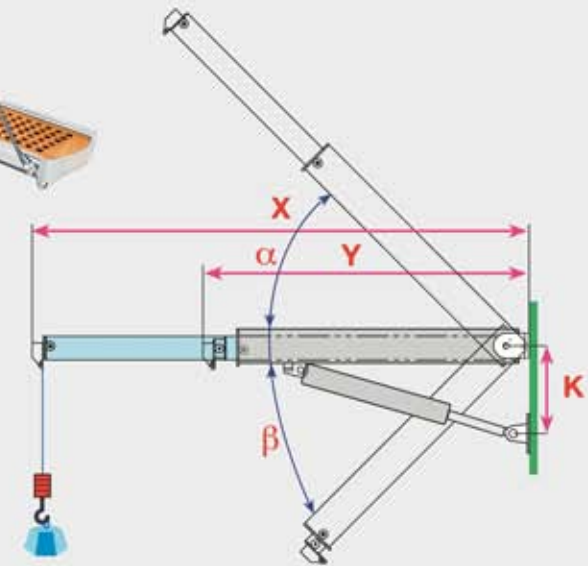
TRANSOM PASSERELLE 4994



The translation of the fixing cross of the hydraulic cylinder (included) allow to modify the gangway geometry to improve the using in function of the stern characteristics.



Width of fixing bracket



X = maximum length of passerelle when extended
Y = minimum length of passerelle when retracted
K = the minimum distance to maintain between the centre of rotation of the passerelle and the centre of rotation of the ram (K)
α and **β** = The total angle the passerelle can achieve.

The drawing have been studied considering a vertical transom. Variations of the transom angle and the different heights of dimension **K** will produce different values of angle **α** and **β**.

model	X (mm/inch)	Y (mm/inch)	K (mm/inch)	α	β	loading capacity standard (kg/lbs)	loading capacity optional (kg/lbs)	weight (kg/lbs)
4994/19	1895	1175	300	55°	45°	250	300	58
	75"	47"	12"			550	660	130
4994/23	2275	1375	300	55°	45°	250	300	65
	90"	54"	12"			550	660	140
4994/26	2565	1535	300	55°	45°	200	-	73
	101"	61"	12"			440	-	160
4994/29	2890	1690	300	55°	45°	200	-	92
	114"	67"	12"			440	-	200

IDEAL FOR JET SKI AND TENDER LIFTING.

This passerelle for a total loading 150 Kg / 330 lbs (one person only).

