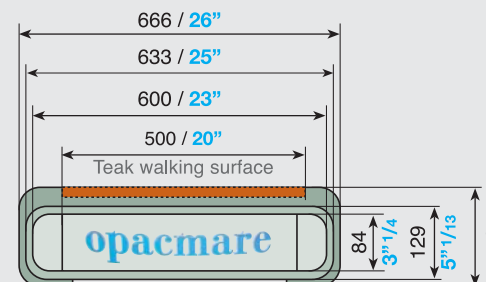
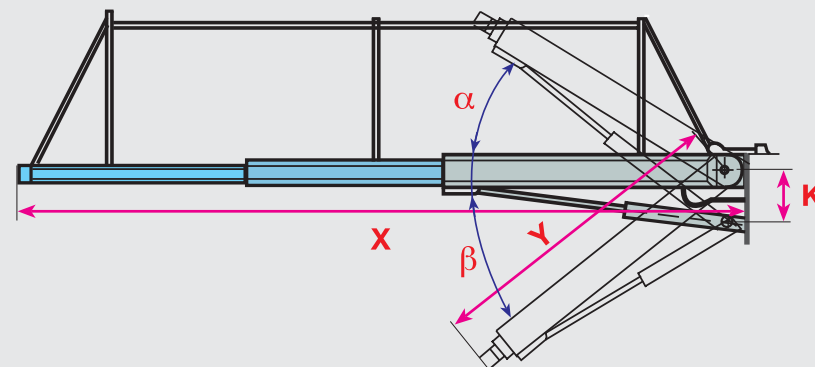


# TRANSOM GANGWAY 5335



- X** = maximum length of gangway when extended
- Y** = minimum length of gangway when retracted
- K** = The minimum distance to maintain between the centre of rotation of the gangway and the centre of rotation of the ram (K)
- α** and **β** = The total angle the gangway can achieve.

The drawing have been studied considering a vertical transom. Variations of the transom angle and the different heights of dimension **K** will produce different values of angle **α** and **β**.

model	X (mm/inch)	Y (mm/inch)	K (mm/inch)	α	β	weight (kg/lbs)
5335/40	4000 157"	1750 69"	400 16"	35°	35°	185 410

FOR OTHER BIGGER MODELS THE "SUPERYACHT" IS AVAILABLE

This model enable taking the passengers on board but not lifting the tender for a total loading of 300 Kg. - 700 lbs

