

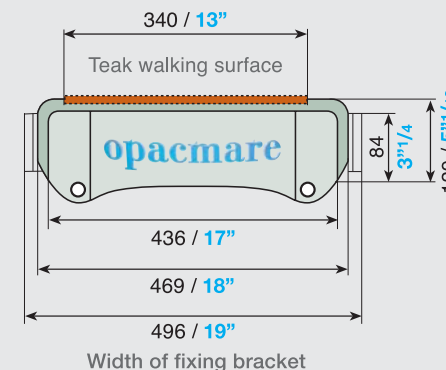
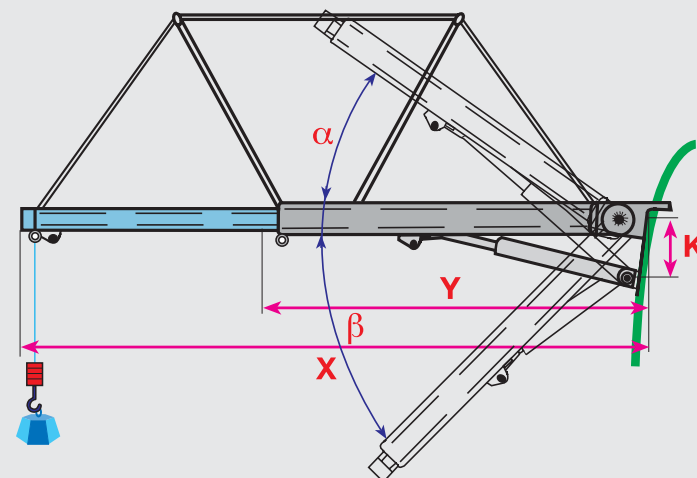
TRANSOM GANGWAY 5995



The translation of the fixing cross of the hydraulic cylinder (included) allow to modify the gangway geometry to improve the using in function of the stern characteristics.



Luxury version with customised plate and third grating.



X = maximum length of gangway when extended
Y = minimum length of gangway when retracted
K = The minimum distance to maintain between the centre of rotation of the gangway and the centre of rotation of the ram (K)
alpha and **beta** = The total angle the gangway can achieve.

The drawing have been studied considering a vertical transom. Variations of the transom angle and the different heights of dimension **K** will produce different values of angle **alpha** and **beta**.

model	X (mm/inch)	Y (mm/inch)	K (mm/inch)	α	β	capacity	
						standard	(kg/lbs)
5995/31	3100	1900	360	34°	24°	450	156
	122"	75"	14"			1000	340
5995/34	3400	2200	360	34°	24°	450	172
	134"	87"	14"			1000	380

IDEAL FOR JET SKI AND TENDER LIFTING.

This gangway for a total loading of 150 Kg. - 350 lbs.

