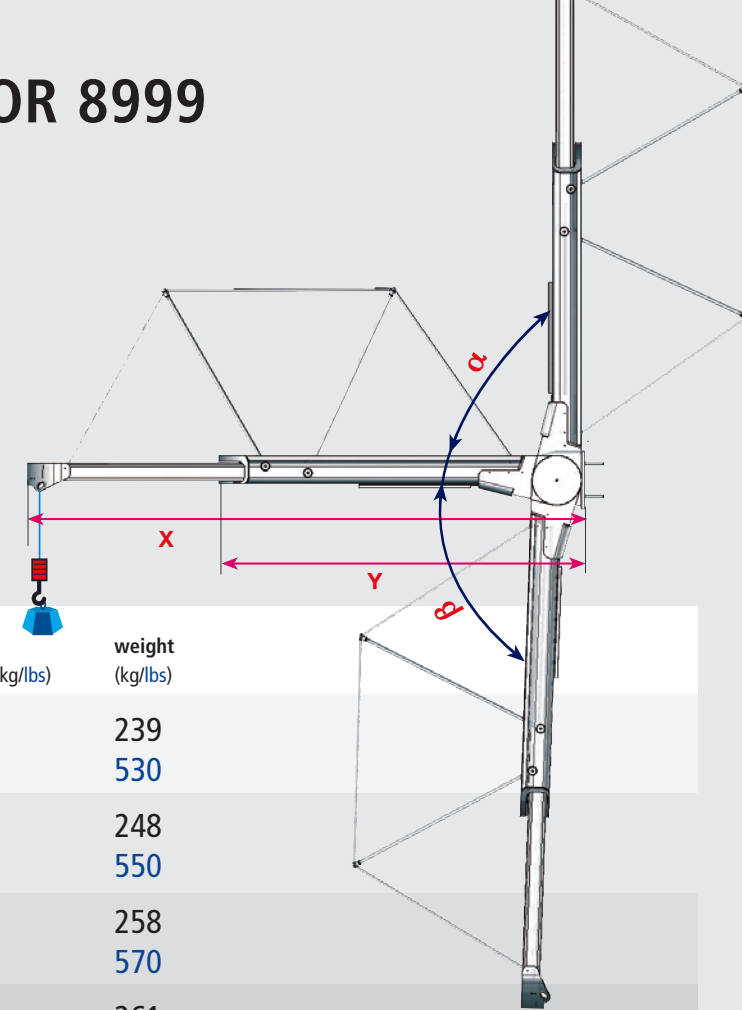
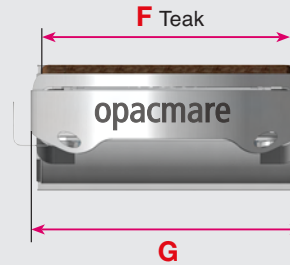


GANGWAY WITH ROTATING ACTUATOR 8999



model	X (mm/inches)	Y (mm/inches)	F (mm/inches)	G (mm/inches)	α	β	capacity standard (kg/lbs)	weight (kg/lbs)
8999/25	2480 98"	1580 62"	410 16" 1/7	543 21" 2/5	90°	88°	450 1,000	239 530
8999/27	2650 104"	1670 66"	410 16" 1/7	543 21" 2/5	90°	88°	450 1,000	248 550
8999/29	2935 115"	1805 71"	410 16" 1/7	543 21" 2/5	90°	88°	450 1,000	258 570
8999/31	3100 122"	1900 75"	410 16" 1/7	543 21" 2/5	90°	88°	400 880	261 575
8999/34	3430 135"	2100 83"	410 16" 1/7	543 21" 2/5	90°	88°	400 880	280 620
8999/38	3750 148"	2300 90"	410 16" 1/7	543 21" 2/5	90°	88°	300 660	308 680
8999/42*	4150 163"	2550 100"	410 16" 1/7	543 21" 2/5	90°	88°	300 660	320 700

* with manual stanchions

This gangway for a total loading of 150 Kg. - 330 lbs.

UPDATED ON 08/02/11