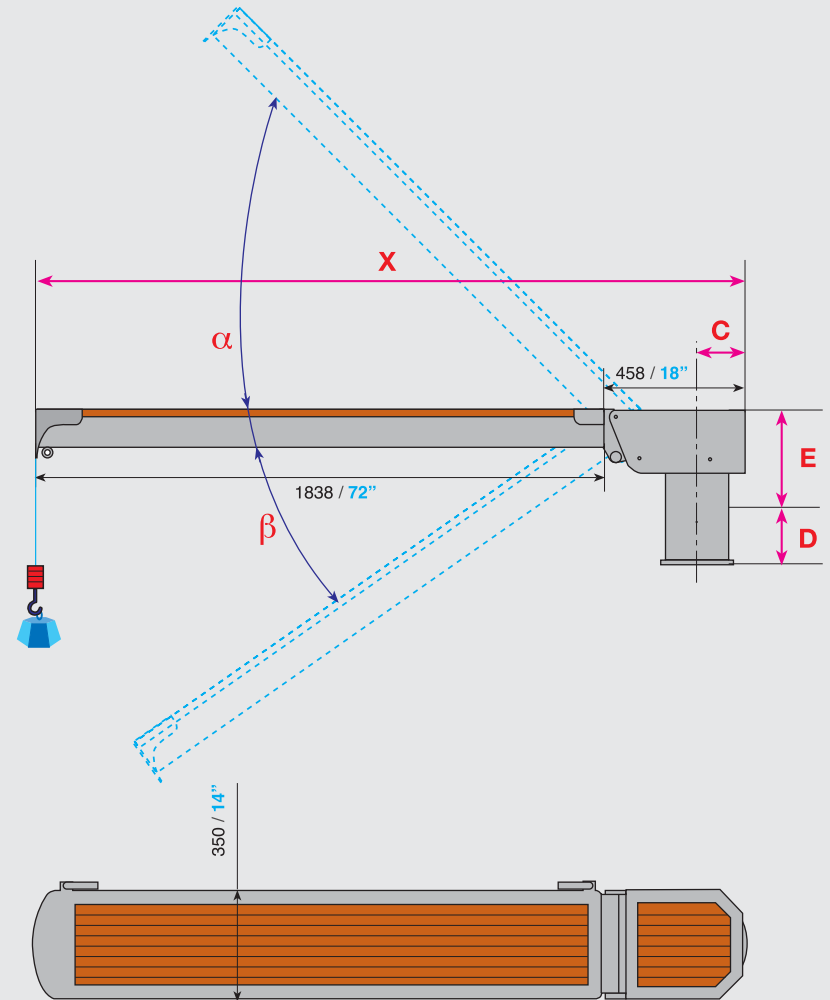
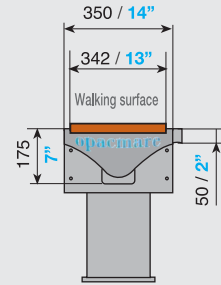


ROTATING GANGWAY 1832



X = maximum length of gangway when extended
C = rotational range of the base unit
D = height of the built-in part of the unit below deck level
E = height of the rotating base
 α and β = The total angle the gangway can achieve

model	X (mm/inch)	C (mm/inch)	E (mm/inch)	D (mm/inch)	α	β	rotation standard	capacity standard (kg/lbs)	weight (kg/lbs)
1832/23	2300 91"	160 6"4/13	325 13"	184 7"1/5	40°	23°	180°	250 550	178 390

IDEAL FOR JET SKI AND TENDER LIFTING.

This gangway for a total loading of 150 Kg. - 350 lbs.

