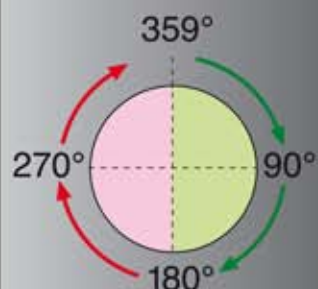
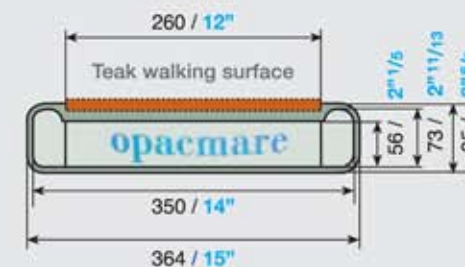
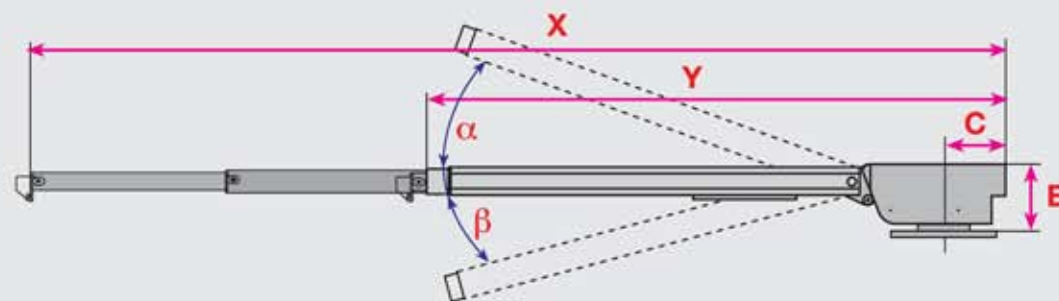


ROTATING GANGWAY 1843



- X = maximum length of gangway when extended
- Y = minimum length of gangway when retracted
- C = rotational range of the base unit
- D = height of the built-in part of the unit below deck level
- E = height of the rotating base
- α and β = The total angle the gangway can achieve

model	X (mm/inch)	Y (mm/inch)	C (mm/inch)	E (mm/inch)	α	β	rotation standard	weight (kg/lbs)
1843/27	2660 105"	1460 57"	200 7 ⁷ / ₈ "	275 10 ⁷ / ₉ "	18°	15°	180°	172 380
1843/29	3190 123"	1745 69"	210 8 ¹ / ₇ "	225 8 ¹¹ / ₁₃ "	40°	22°	180°	245 550

This gangway for a total loading of 150 Kg. - 350 lbs.

UPDATED ON 09/09/10

