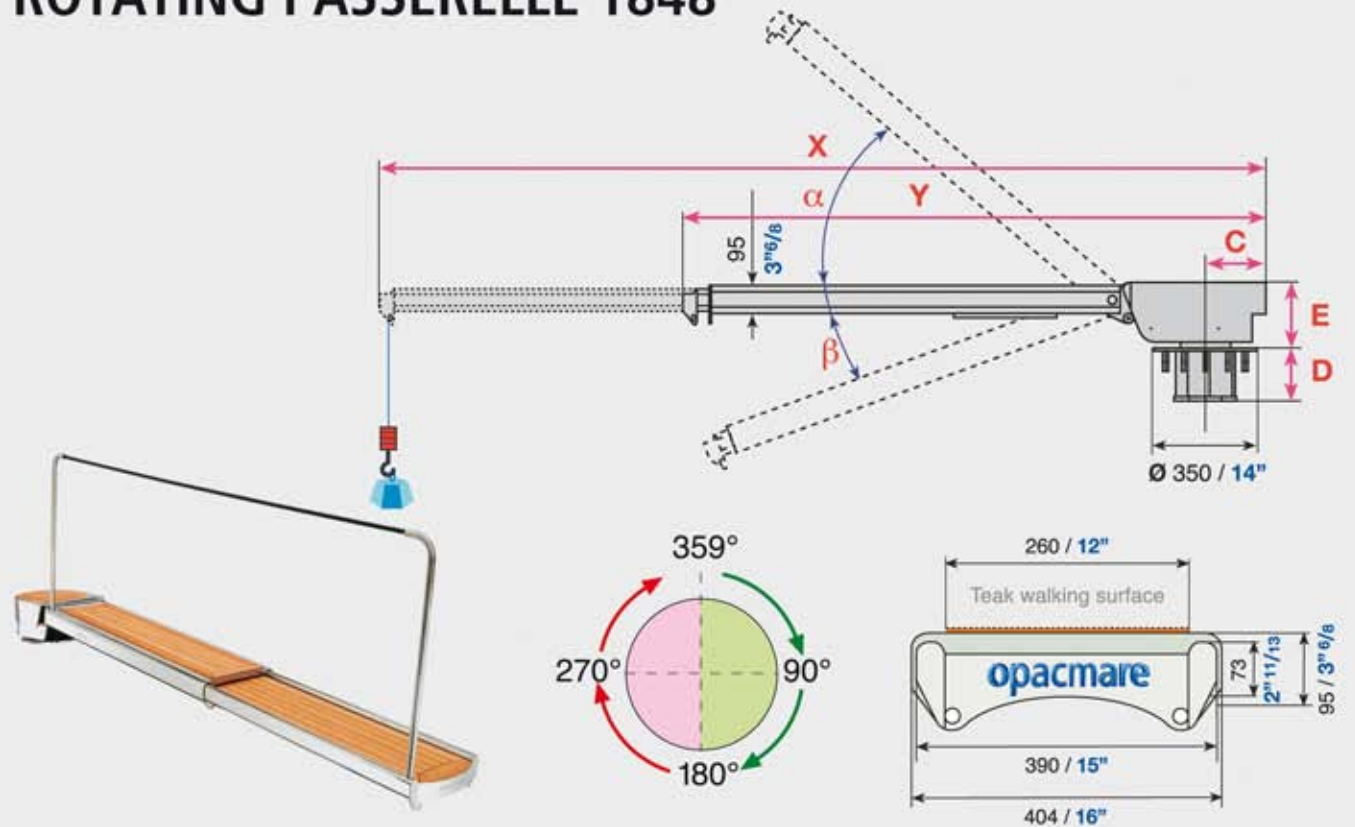




Fixing plate custom (optional)

# ROTATING PASSERELLE 1848



**X** = maximum length of passerelle when extended

**Y** = minimum length of passerelle when retracted

**C** = rotational range of the base unit

**D** = height of the built-in part of the unit below deck level

**E** = height of the rotating base

**α** and **β** = The total angle the passerelle can achieve

model	X (mm/inch)	Y (mm/inch)	C (mm/inch)	D <sub>180°</sub> (mm/inch)	E (mm/inch)	α	β	rotation standard	rotation optional	loading capacity standard (kg/lbs)	weight (kg/lbs)
1848/23	2290	1570	205	180	225	40°	22°	180°	359°	160	171
	90"	62"	8"1/8	7"1/13	8"7/8					360	380
1848/27	2720	1735	205	180	225	40°	22°	180°	359°	160	182
	107"	68"	8"1/8	7"1/13	8"7/8					360	400
1848/30	3010	1980	205	180	225	40°	22°	180°	359°	160	198
	119"	78"	8"1/8	7"1/13	8"7/8					360	440

UPDATED ON 10/02/10

**IDEAL FOR TENDER LIFTING.**

This passerelle for a total loading 150 Kg / 330 lbs (one person only).

