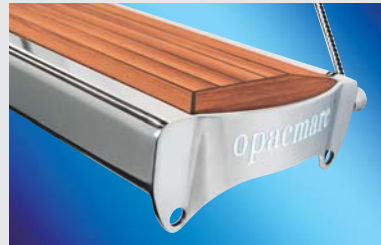


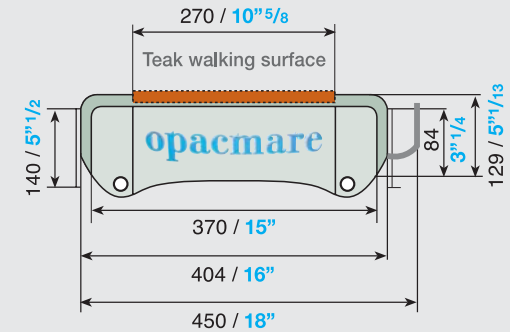
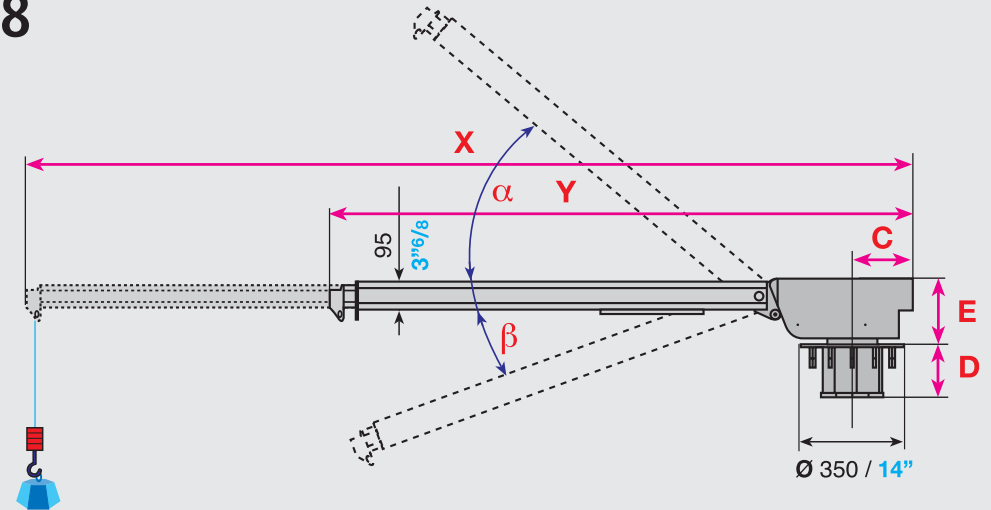
# ROTATING GANGWAY 1898



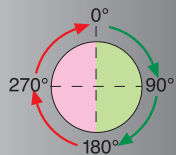
Standard back fairing(standard).



Optional round back fairing (options).



- X = maximum length of gangway when extended
- Y = minimum length of gangway when retracted
- C = rotational range of the base unit
- D = height of the built-in part of the unit below deck level
- E = height of the rotating base
- $\alpha$  and  $\beta$  = The total angle the gangway can achieve



model	X (mm/inch)	Y (mm/inch)	C (mm/inch)	D <sub>180°</sub> (mm/inch)	E (mm/inch)	$\alpha$	$\beta$	rotation standard	rotation optional	capacity standard (kg/lbs)	capacity optional (kg/lbs)	weight (kg/lbs)
1898/29	2905	1925	205	180	225	40°	22°	180°	359°	250	350/450	219
	114"	76"	8 1/8"	7 1/16"	8 6/10"			180°	359°	550	800/1000	485
1898/32	3200	2220	205	180	225	40°	22°	180°	359°	250	350/450	267
	126"	88"	8 1/8"	7 1/16"	8 6/10"			180°	359°	550	800/1000	590
1898/39	3930	2490	205	180	320	40°	22°	180°	359°	250	350/450	314
	156"	98"	8 1/8"	7 1/16"	12"			180°	359°	550	800/1000	690

**CAPACITY optional 450 kg / 1000 lbs**  
**IDEAL FOR JET SKI AND TENDER LIFTING.**

This gangway for a total loading of 150 Kg. - 350 lbs.

