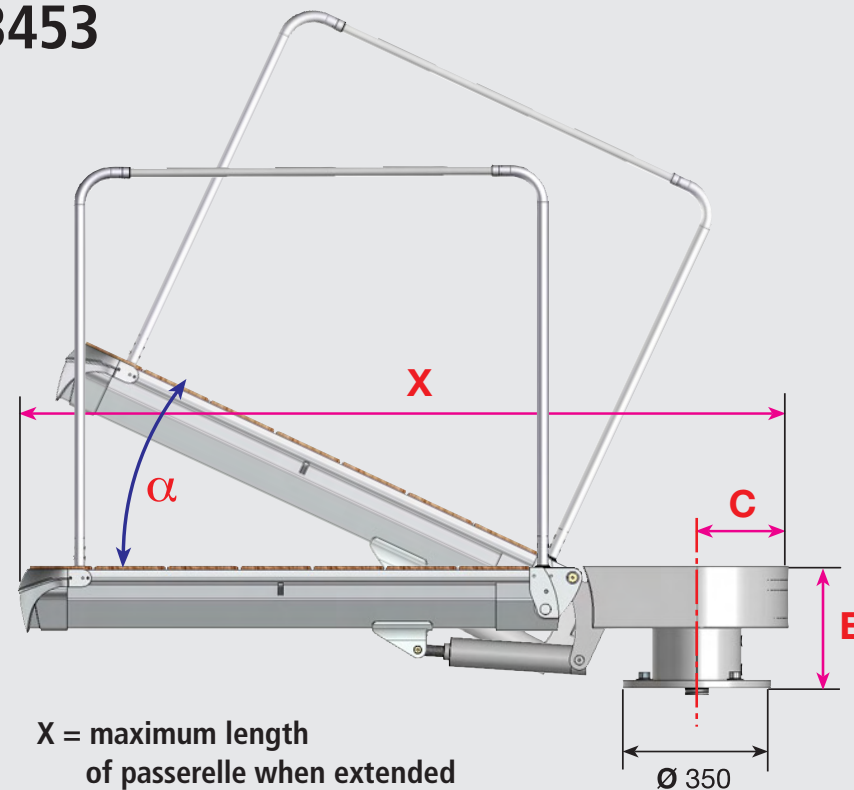
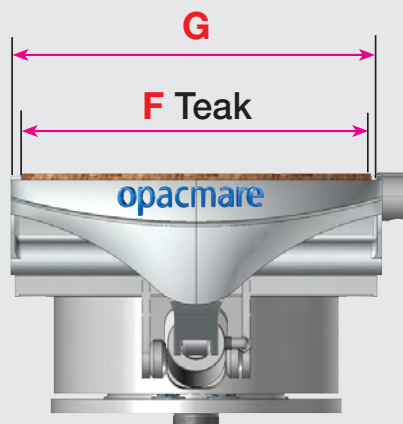
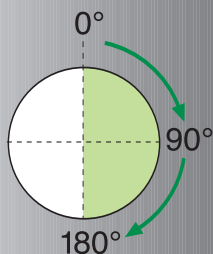


MINI DOLPHIN TWISTER model 3453



X = maximum length of passerelle when extended
 C = rotational range of the base unit
 E = height of the rotating base
 α = the total angle the passerelle can achieve.



Standard rotation 180°

model	X (mm/inches)	C (mm/inches)	E (mm/inches)	F (mm/inches)	G (mm/inches)	α	rotation standard	weight (kg/lbs)
3453/15	1560 / 61"	190 / 7"1/2	247 / 9"3/4	360 / 14"1/5	382 / 15"	25°	180°	74 / 160
3453/20	2095 / 82"	190 / 7"1/2	247 / 9"3/4	360 / 14"1/5	382 / 15"	25°	180°	81 / 180
3453/24	2405 / 95"	190 / 7"1/2	247 / 9"3/4	360 / 14"1/5	382 / 15"	25°	180°	88 / 195

This passerelle for a total loading of 120 Kg. - 270 lbs.

UPDATED ON 07/06/11

