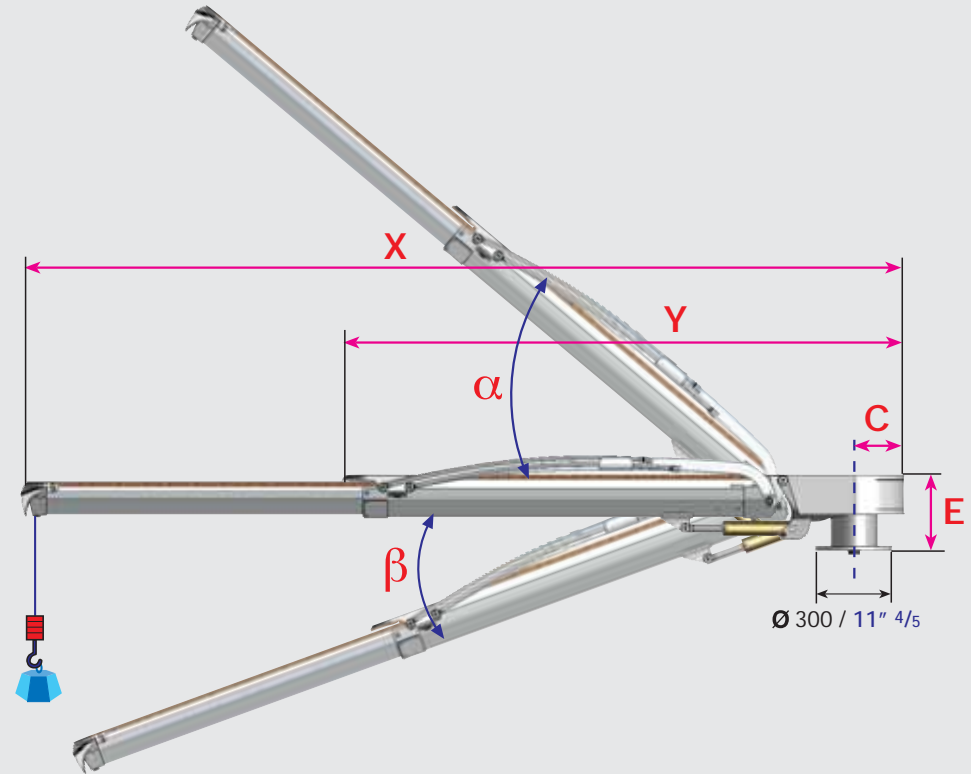
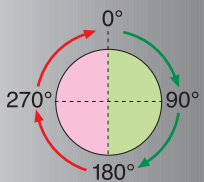


ROTATING GANGWAYS MAXI DOLPHIN TWISTER model 3893S



model	X (inches)	Y (inches)	C (inches)	E (inches)	F (inches)	G (inches)	α	β	capacity standard (kg/lbs)	rotation standard	rotation opzional	weight (kg/lbs)
3893S/28	2790	1890	205	225	360	470	40°	22°	250	180°	359°	128
	110"	74"	8" 1/8	8" 11/13	14" 1/6	18" 1/2	40°	22°	550	180°	359°	282
3893S/30	3040	2005	205	225	360	470	40°	22°	200	180°	359°	135
	120"	79"	8" 1/8	8" 11/13	14" 1/6	18" 1/2	40°	22°	440	180°	359°	298
3893S/33	3355	2155	205	225	360	470	40°	22°	150	180°	359°	142
	132"	85"	8" 1/8	8" 11/13	14" 1/6	18" 1/2	40°	22°	330	180°	359°	313



X = maximum length of gangway when extended
 Y = minimum length of gangway when retracted
 C = rotational range of the base unit

E = height of the rotating base
 α and β = The total angle the gangway can achieve.

This gangway for a total loading of 150 Kg - 330 lbs.

