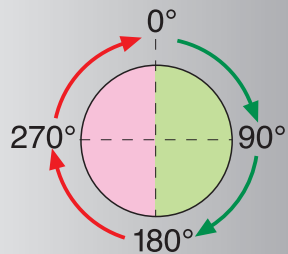
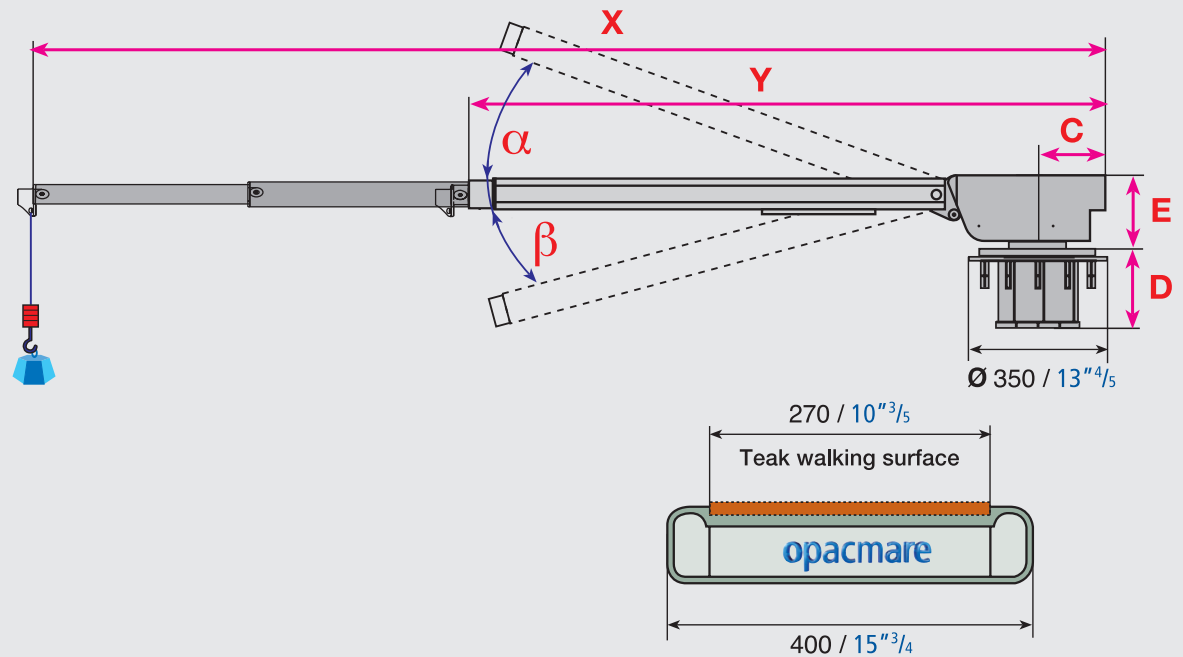


# ROTATING GANGWAY 1803



- X** = maximum length of gangway when extended
- Y** = minimum length of gangway when retracted
- C** = rotational range of the base unit
- D** = height of the built-in part of the unit below deck level
- E** = height of the rotating base
- α** and **β** = The total angle the gangway can achieve

model	X (mm/inch)	Y (mm/inch)	C (mm/inch)	D (mm/inch)	E (mm/inch)	α	β	rotation standard	rotation optional	capacity standard (kg/lbs)	weight (kg/lbs)
<b>1803/38</b>	3730 147"	1930 76"	205 8 <sup>1</sup> / <sub>12</sub>	180 7 <sup>1</sup> / <sub>12</sub>	225 8 <sup>9</sup> / <sub>10</sub>	40°	22°	180°	359°	250 550	252 555

## IDEAL FOR TENDER LIFTING

This gangway for a total loading of 150 Kg. - 330 lbs.

UPDATED ON 04/06/10

