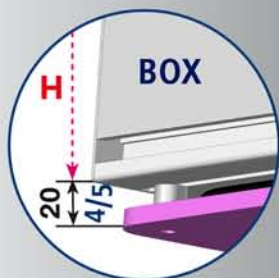
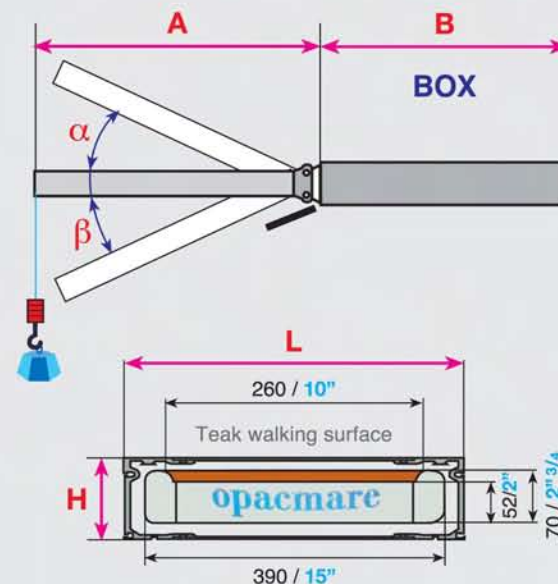


EXTENDING BOX GANGWAY 1011



**REMOVABLE
WATERTIGHT LOWER
PANEL (OPTIONAL)**
H + 20 mm / 4/5"



model	A (mm/inch)	B (mm/inch)	L (mm/inch)	H (mm/inch)	α	β	capacity optional (kg/lbs)	weight (kg/lbs)
1011/15	1510 60"	1950 77"	450 18"	155 6 1/8"	15°	15°	160 360	75 165
1011/18	1810 71"	2250 89"	450 18"	155 6 1/8"	15°	15°	160 360	100 220
1011/22	2210 87"	2660 105"	450 18"	155 6 1/8"	15°	15°	160 360	123 270
1011/25	2510 99"	3020 119"	450 18"	155 6 1/8"	15°	15°	160 360	145 320
1011/30	3010 119"	3420 135"	450 18"	155 6 1/8"	15°	15°	160 360	170 375

A = maximum length
of passerelle
outside of the box

B = box length

H = box height

L = box width

α and **β** = The total angle
the passerelle
can achieve

IDEAL FOR TENDER LIFTING.

The standard models enable taking the passengers on board but not lifting the tender for a total loading of 150 Kg. - 350 lbs

UPDATED ON 24/02/11