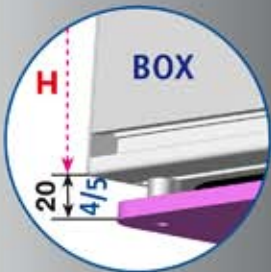
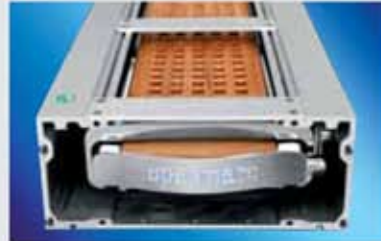
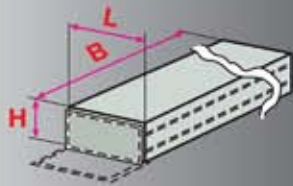
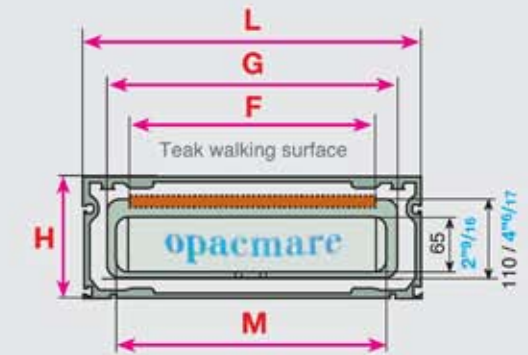
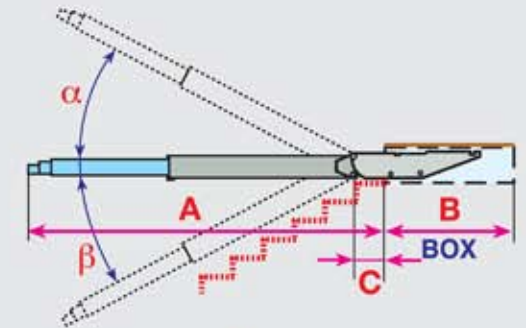


EXTENDING BOX GANGWAY 1122 with manual or Automatic Stanchions



REMOVABLE
WATERTIGHT LOWER
PANEL (STANDARD)
H + 20 mm / 4/5"



BOX	510	550	590	710
G	389/15"	429/17"	469/18"	598/23"
F	260/10"	300/12"	340/13"	460/18"
M	356/14"	396/15"	434/17"	556/22"

model	A (mm/inch)	B (mm/inch)	L (mm/inch)	H (mm/inch)	C (mm/inch)	α	β	weight (kg/lbs)
1122/36	3610 142"	3000 118"	550 • 22"	210 8 1/8"	300 11 3/4"	20°	15°	302 665
1122/40	4000 157"	3200 126"	550 • 22"	210 8 1/8"	300 11 3/4"	20°	15°	335 740

A = maximum length of gangway outside of the box
B = box length
C = distance between the gangway hinges and the box
H = box height
L = box width
α and β = The total angle the gangway can achieve

• AVAILABLE WITH LARGER BOX OPTIONALS 510 / 590 / 710

FOR OTHER BIGGER MODELS THE "SUPERYACHT" IS AVAILABLE

These models enable taking the passengers on board for a total loading of 150 Kg. - 330 lbs