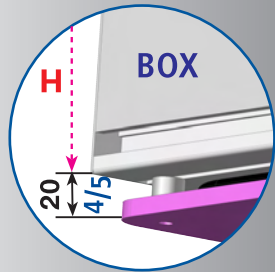
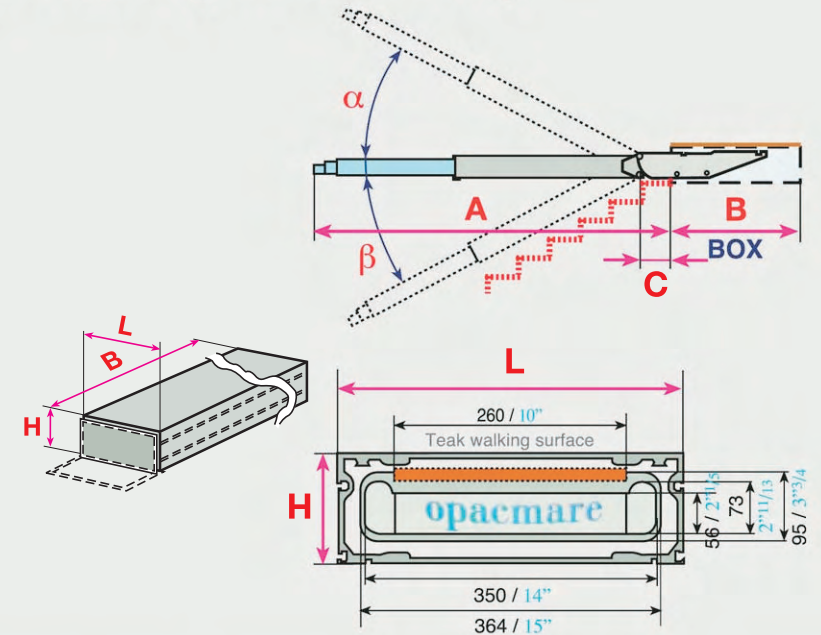


EXTENDING BOX GANGWAY 1141 with Special Trolley



REMOVABLE
WATERTIGHT LOWER
PANEL (OPTIONAL)
H + 20 mm / 4/5"



model	A (mm/inch)	B (mm/inch)	L (mm/inch)	H (mm/inch)	C (mm/inch)	α	β	weight (kg/lbs)
1141/18	1800 / 71"	1550 / 61"	450 / 18"	156 / 6" 1/7	150 / 5" 6/7	20°	15°	122 / 270
1141/24	2415 / 95"	1930 / 76"	450 / 18"	156 / 6" 1/7	155 / 7" 1/3	20°	15°	146 / 330
1141/26	2550 / 100"	2140 / 84"	450 / 18"	156 / 6" 1/7	300 / 11" 7/8	20°	15°	175 / 400
1141/29	2890 / 114"	2300 / 91"	450 / 18"	156 / 6" 1/7	350 / 13" 4/5	20°	15°	183 / 410
1141/32	3170 / 125"	2410 / 95"	450 / 18"	156 / 6" 1/7	300 / 11" 7/8	20°	15°	194 / 430
1141/35	3490 / 137"	2600 / 102"	450 / 18"	156 / 6" 1/7	300 / 11" 7/8	20°	15°	217 / 480

A = maximum length
of passerelle
outside of the box

B = box length

C = distance between
the passerelle hinges
and the box

H = box height

L = box width

α and β = The total angle
the passerelle
can achieve

UPDATED ON 03/12/10

These models enable taking the passengers on board for a total loading of 150 Kg. - 330 lbs

