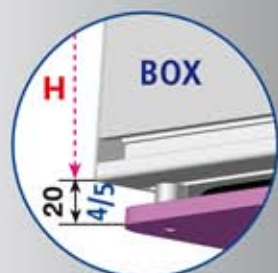
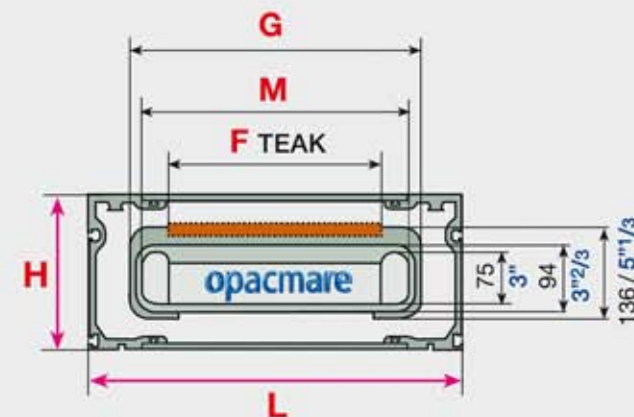
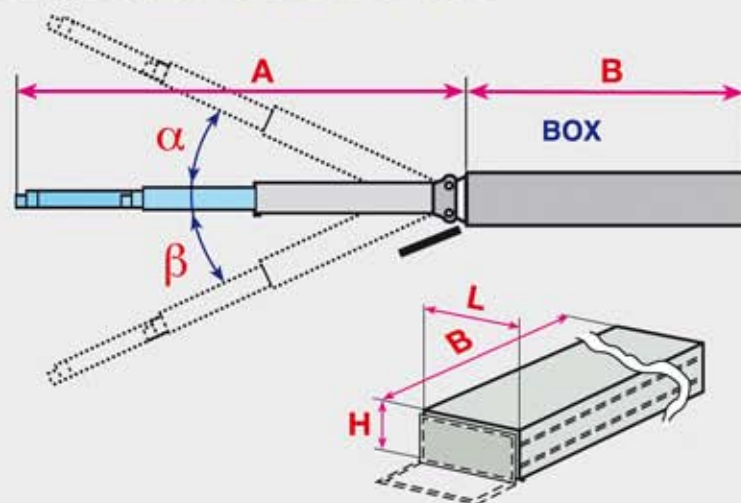


EXTENDING BOX PASSERELLE 1033 with REDUCED BOX



REMOVABLE
WATERTIGHT LOWER
PANEL (STANDARD)
H + 20 mm / 4/5"



L BOX	510/20"	550/21"2/3	590/23"1/4	710/28"
G	390/15"1/3	430/17"	470/18"1/2	600/23"2/3
F	260/10"1/4	300/11"4/5	340/13"2/5	460/18"
M	355/14"	395/15"1/2	435/17"	555/21"4/5

model	A (mm/inch)	B (mm/inch)	H (mm/inch)	L standard (mm/inch)	α	β	weight (kg/lbs)
1033/19*	1930 / 76"	1540 / 60"2/3	195 / 7"2/3	550 / 21"2/3●	15°	15°	155 / 340
1033/23	2280 / 90"	1640 / 64"3/5	195 / 7"2/3	550 / 21"2/3●	15°	15°	170 / 375
1033/27	2620 / 103"	1960 / 77"	195 / 7"2/3	550 / 21"2/3●	15°	15°	198 / 435
1033/30	3020 / 119"	2040 / 80"1/3	195 / 7"2/3	550 / 21"2/3●	15°	15°	212 / 465
1033/33	3260 / 128"	2140 / 84"1/4	195 / 7"2/3	550 / 21"2/3●	15°	15°	225 / 500
1033/36	3580 / 141"	2340 / 92"	195 / 7"2/3	550 / 21"2/3●	15°	15°	240 / 530
1033/38	3820 / 150"	2480 / 98"	195 / 7"2/3	550 / 21"2/3●	15°	15°	253 / 560

A = maximum length
of passerelle
outside of the box

B = box length

H = box height

L = box width

α and β = The total angle
the passerelle
can achieve

*With manual stanchions

● Available with larger box optionals 510/590/710 mm

This passerelle enables taking the passengers on board but not lifting the tender
for a total loading of 150 Kg / 330 lbs (one person only).

UPDATED ON 15/05/12