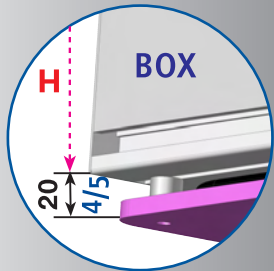
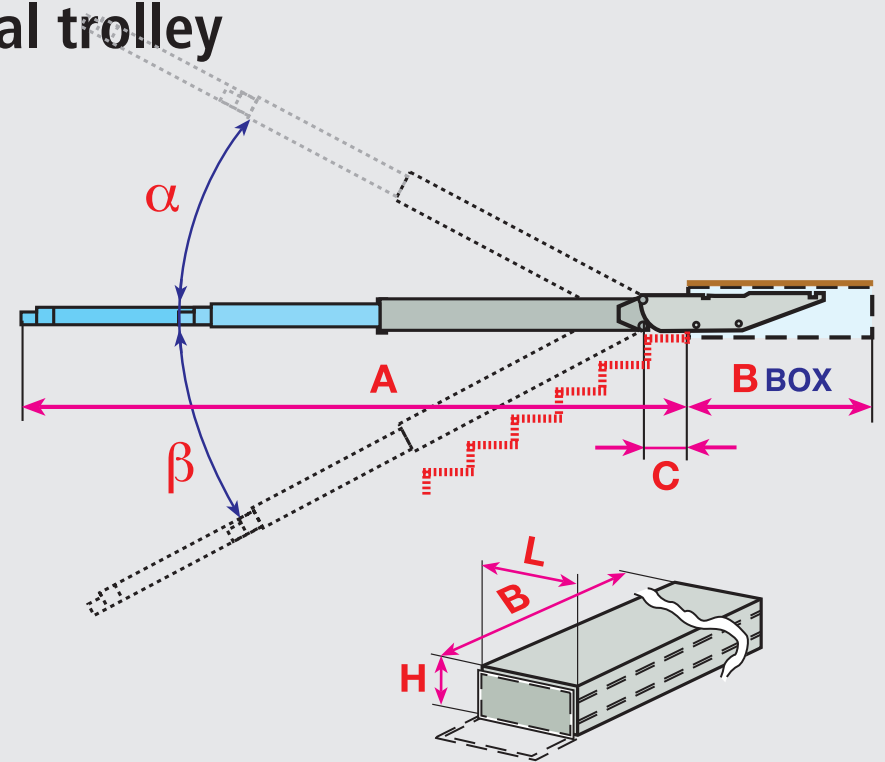
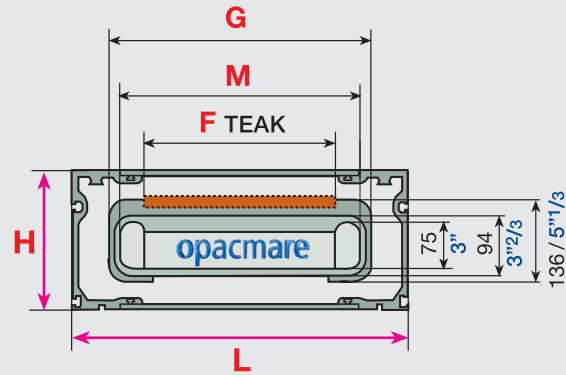


EXTENDING BOX PASSERELLE 1133 with **REDUCED BOX** and special trolley



REMOVABLE
WATERTIGHT LOWER
PANEL (STANDARD)
H + 20 mm / 4/5"



L BOX	510/20"	550/21" 2/3	590/23" 1/4	710/28"
G	390/15" 1/3	430/17"	470/18" 1/2	600/23" 2/3
F	260/10" 1/4	300/11" 4/5	340/13" 2/5	460/18"
M	355/14"	395/15" 1/2	435/17"	555/21" 4/5

model	A (mm/inch)	B (mm/inch)	C (mm/inch)	H (mm/inch)	L standard (mm/inch)	α	β	weight (kg/lbs)
1133/35	3460 / 136"	2340 / 92"	200 / 7" 4/5	195 / 7" 2/3	550/21" 2/3 ●	15°	15°	255/ 560
1133/38	3755 / 148"	2540 / 100"	200 / 7" 4/5	195 / 7" 2/3	550/21" 2/3 ●	15°	15°	298/ 660
1133/40	4035 / 159"	2660 / 104" 2/3	200 / 7" 4/5	195 / 7" 2/3	550/21" 2/3 ●	15°	15°	312/ 690
1133/44	4425 / 174"	2910 / 115"	300 / 11" 4/5	195 / 7" 2/3	550/21" 2/3 ●	15°	15°	338/750

- A** = maximum length of passerelle outside of the box
- B** = box length
- C** = distance between the passerelle hinges and the box
- H** = box height
- L** = box width
- α and β = The total angle the passerelle can achieve

• Available with larger box optionals 510/590/710 mm

This passerelle enables taking the passengers on board but not lifting the tender for a total loading of 150 Kg / 330 lbs (one person only).

UPDATED ON 10/08/11

