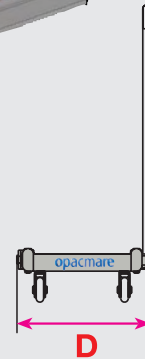
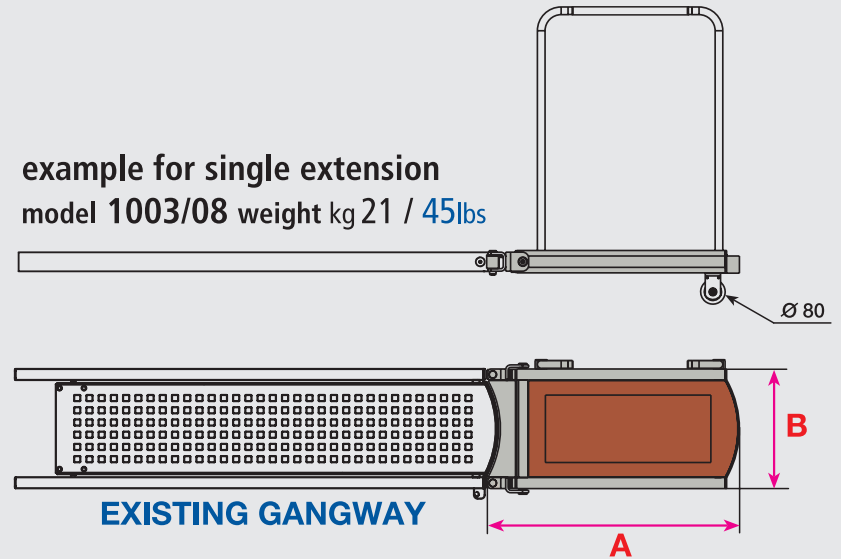


# EXTENSIONS FOR PASSERELLES - single /08



example for single extension  
model 1003/08 weight kg 21 / 45lbs



Extensions can be customized and adapted to any model of Stainless Steel passerelles in Opacmare catalogue.

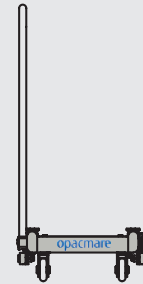
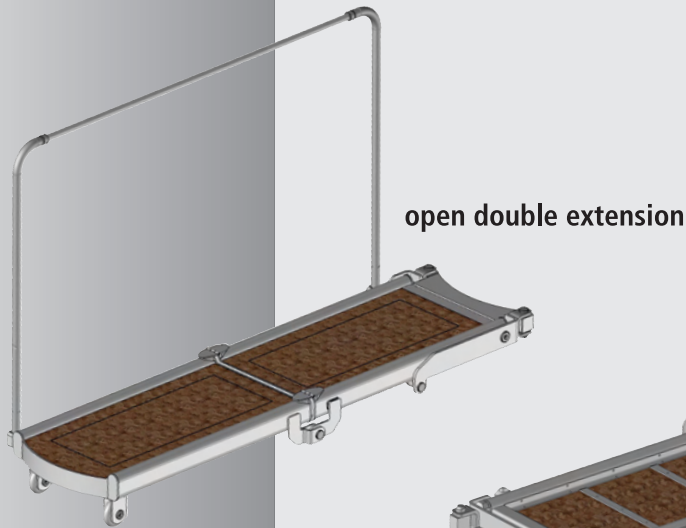
Extensions must always be used when leaning on the dock.

passerelle series	A (mm/inch)	B (mm/inch)	D (mm/inch)	BOX (mm/inch)	weight (kg/lbs)
1003	820/32"	390/15"	450/18"	550/22"	21/45
1103	820/32"	390/15"	450/18"	550/22"	21/45
1033	820/32"	390/15"	450/18"	550/22"	21/45
1133	820/32"	390/15"	450/18"	550/22"	21/45
1002	820/32"	390/15"	450/18"	590/23"	21/45
8998	820/32"	440/17"	450/18"	-	24/50

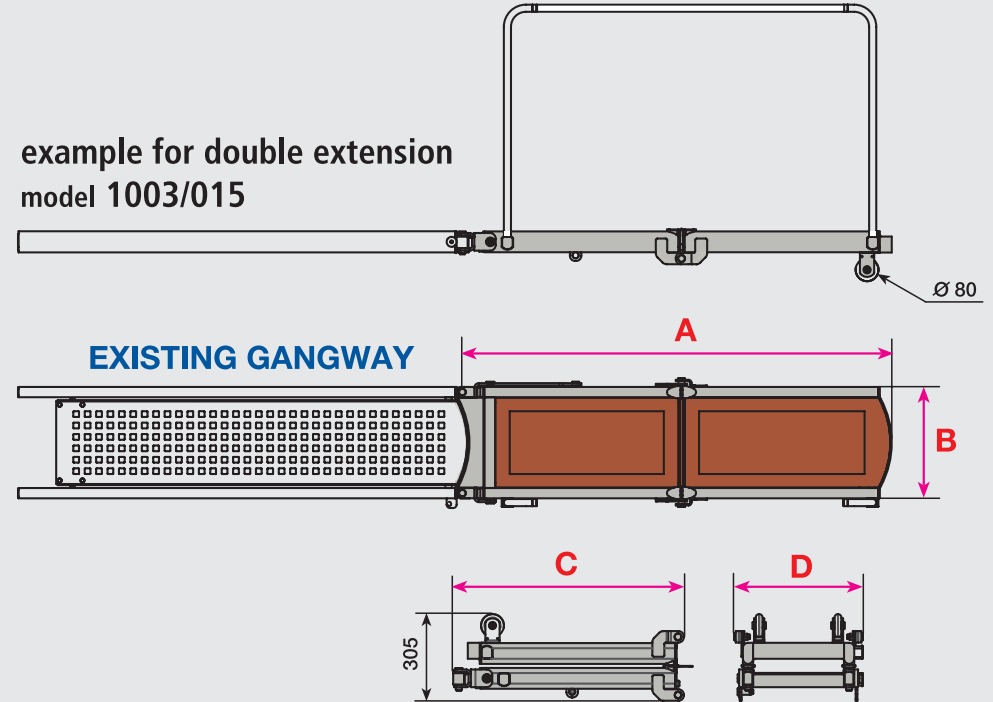
This passerelle extensions for a total loading of 150 Kg. - 330 lbs.



# EXTENSIONS FOR PASSERELLES - double /15



example for double extension  
model 1003/015



Extensions can be customized and adapted to any model of Stainless Steel passerelles in Opacmare catalogue.

Extensions must always be used when leaning on the dock.

passerelle series	A (mm/inch)	B (mm/inch)	C (mm/inch)	D (mm/inch)	BOX (mm/inch)	weight (kg/lbs)
1003	1505/59"	390/15"	805/32"	450/18"	550/22"	35/75
1103	1505/59"	390/15"	805/32"	450/18"	550/22"	35/75
1033	1505/59"	390/15"	805/32"	450/18"	550/22"	35/75
1133	1505/59"	390/15"	805/32"	450/18"	550/22"	35/75
1002	1505/59"	440/17"	805/32"	450/18"	590/23"	37/80
8998	1520/60"	440/17"	820/33"	500/20"	-	38/85

UPDATED ON 16/07/09

This passerelle extensions for a total loading of 150 Kg. - 330 lbs.

