

PENDANT E



The Pendant Series are single cubeish which can be made in any size, A through F. Hang them as single elements, in groups, or in a row, with straight stem or with a kink stem.

All pieces made to order by hand in Brooklyn N.Y.

KINK-E PENDANT



MATERIALS

Translucent bamboo veneer cubeish
Square brass tube frame and joints
Solid brass open rings

FINISH OPTIONS

All wood finish options to order
All metal finish options to order
Sizes, and drop to order

COMMENTS

For indoor use only
10 week lead time

DIMENSIONS

18"H x 18"L x 16"W
(46 H x 46 L x 41 W cm)

WEIGHT

4 lbs (1.8 kg)

LAMPING

(1) 13.5w E 26 base LED bulbs
UL listed components
Dimmable
1100 lumens total
Bulbs included

COST

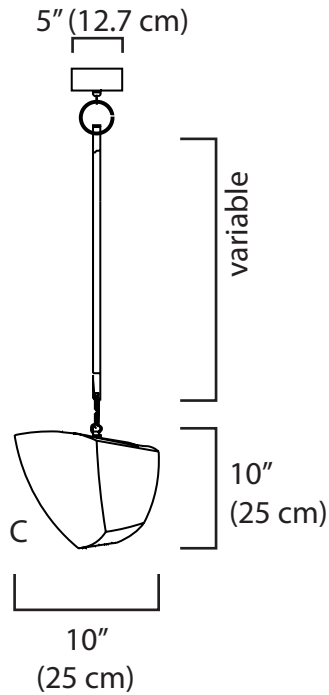
List price: \$2,600 - \$5,355
50% deposit required



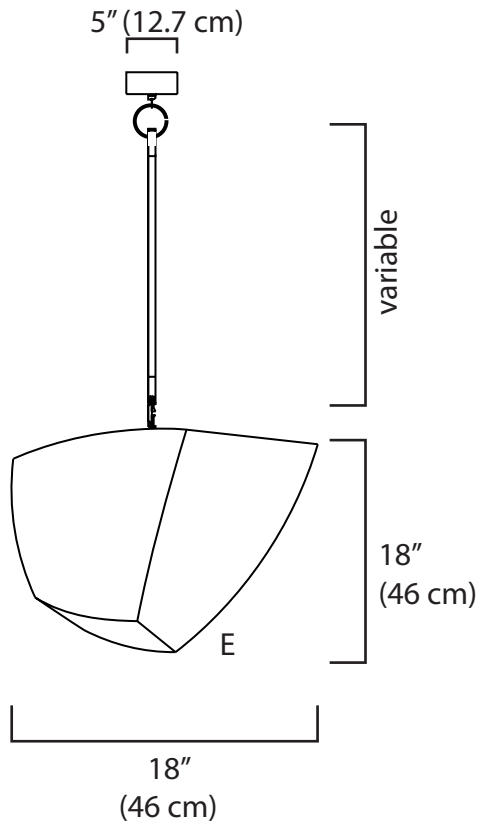
ANDREA
CLAIRE

www.andreaclairestudio.com
info@andreaclairesudio.com
Phone: 917-721-2421

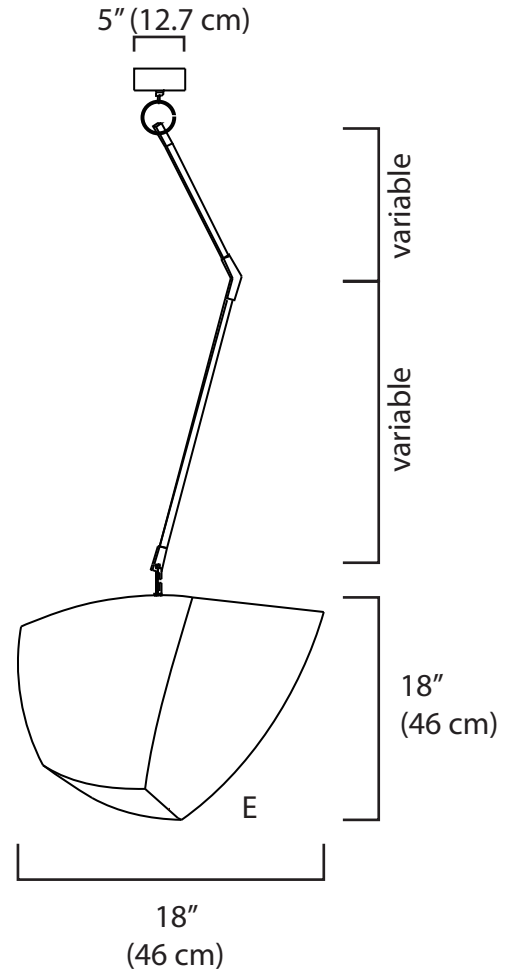
PENDANT C



PENDANT E



KINK-E PENDANT



The Pendant Series are single cubeish which can be made in any size, A through F. Hang them as single elements, in groups, or in a row, with straight stem or with a kink stem.

All pieces made to order by hand in Brooklyn N.Y.



ANDREA
CLAIRE

www.andreaclorestudio.com
info@andreaclorestudio.com
Phone: 917-721-2421