

4

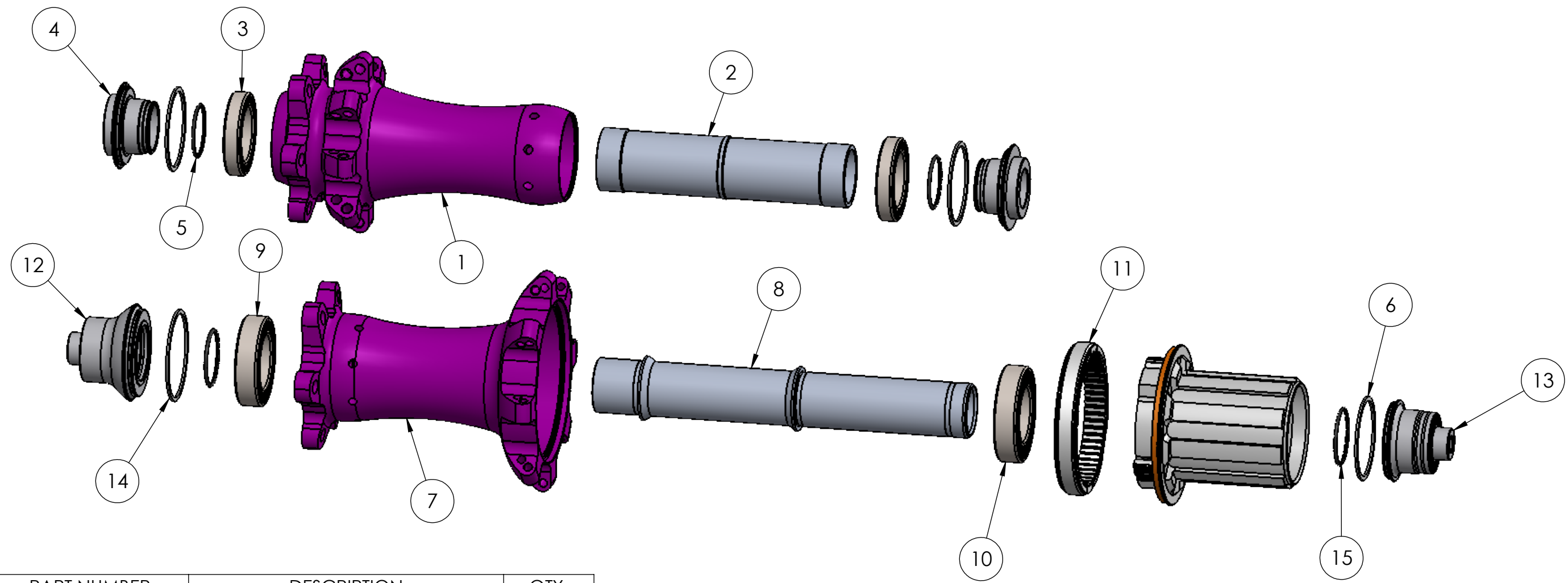
3

2

1

B

B



A

A

ITEM NO.	PART NUMBER	DESCRIPTION	QTY.
1	THU122	Hub Shell, System FR CX 6-bolt	1
2	TAX610	Axle, Road FR	1
3	BB61803	BALL BEARING, 17 x 26 x 5	2
4	TAX653	End Cap Road FR 12mm	2
5	TAXOR15	O-RING, 15 x 1	2
6	TAX640	TEFLON SEAL, RR DRIVE E.C.	3
7	THU123	Hub shell, System RR 24H cross/6-bolt	1
8	TAX612	Road / Cross rear Axle	1
9	BB17287	BALL BEARING, 17 x 28 x 7	1
10	BB61903	BALL BEARING, 17 x 30 x 7	1
11	TFH531	DRIVE RING, TORCH FH	1
12	TAX662	End Cap, Torch Road RR Disc QR non-drive	1
13	TAX660	Torch Road End Cap, Drive side, QR	1
14	TAX642	TEFLON SEAL, RR DRIVE E.C.	1
15	TAXOR17	17 X 1 O-Ring	2

PROPRIETARY AND CONFIDENTIAL
 THE INFORMATION CONTAINED IN THIS DRAWING IS THE SOLE PROPERTY OF INDUSTRYNINE COMPONENTRY. ANY REPRODUCTION IN PART OR AS A WHOLE WITHOUT THE WRITTEN PERMISSION OF INDUSTRYNINE COMPONENTRY IS PROHIBITED.

		UNLESS OTHERWISE SPECIFIED:	NAME	DATE	
		DIMENSIONS ARE IN INCHES TOLERANCES: FRACTIONAL ± 1/32 ANGULAR: ± 0.5 deg TWO PLACE DECIMAL ±0.01 THREE PLACE DECIMAL ±0.005	DRAWN		
		INTERPRET GEOMETRIC TOLERANCING PER:	CHECKED		SIZE DWG. NO. REV B
		MATERIAL	ENG APPR.		
		FINISH	MFG APPR.		
NEXT ASSY	USED ON		Q.A.		
APPLICATION		DO NOT SCALE DRAWING	COMMENTS:		

4

3

2

1