

**ECO-ZYP7-40W**  
**40W @ 130L/W**

**GENERAL DESCRIPTION**

**ULTRA-THIN LED PANEL 600mm x 1200mm (24" x 48") 40W**

- ❖ Super bright 2835 SMD as lighting sources,
- ❖ Aluminum frame
- ❖ Instant start, no flickering, no humming.
- ❖ Input voltage 30V ~ 1.1A (LED Panel Light with constant current driver),
- ❖ No electric wave, Imported light diffusion material, mercury and lead free.
- ❖ High lumen output, Eco-friendly and high luminous efficacy, excellent heat dissipation structure,
- ❖ Long lifespan, normally 50,000+ hours.
- ❖ DLC, UL & cUL certificated,
- ❖ Lead free and eco-friendly.
- ❖ IP65 Waterproof
- ❖ DIMMABLE

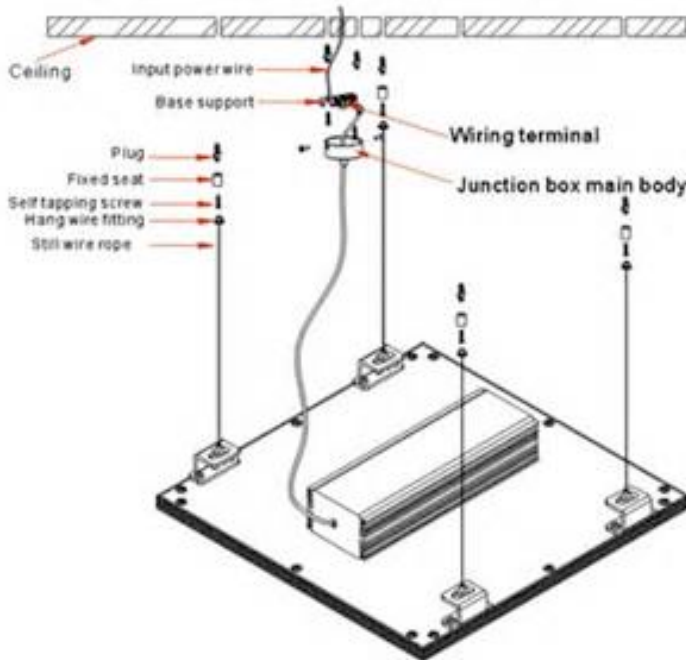


**ECO-ZYP7-40W**  
**40W @ 130L/W**

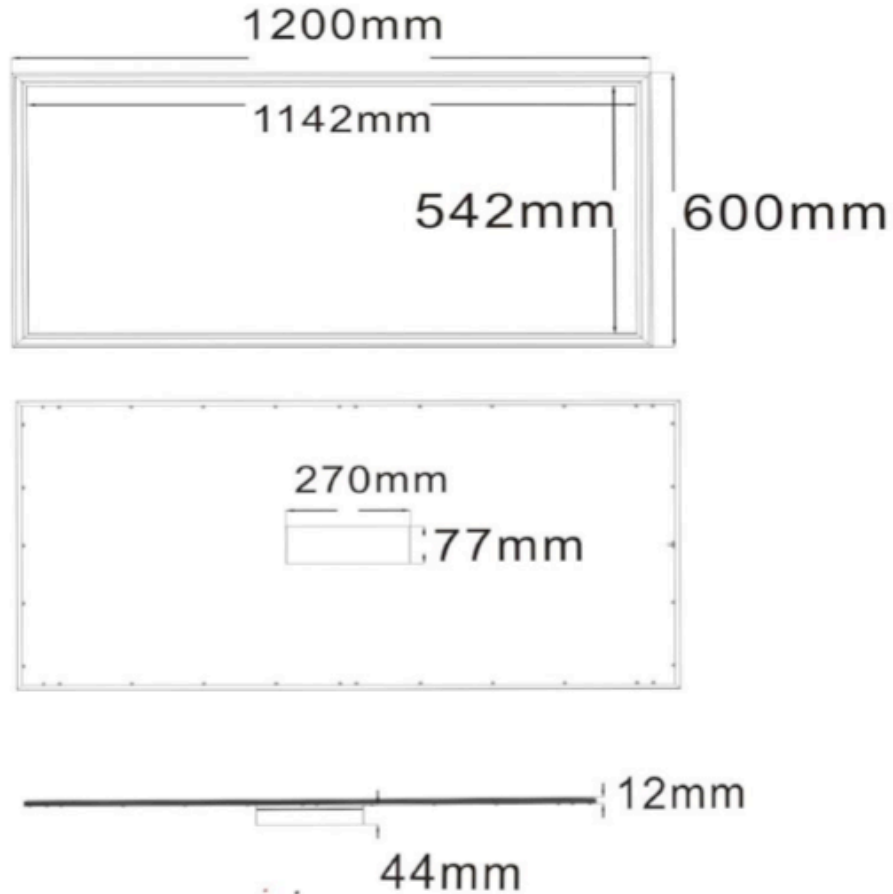
**TECHNICAL SPECIFICATION**

<b>Rated Power</b>	40W
<b>Input Voltage</b>	90-277VAC / 50-60Hz
<b>Certificate</b>	DLC UL, cUL, / CE ROHS
<b>PF</b>	>0.9
<b>Power Efficiency</b>	>92%
<b>Beam Angle</b>	120°
<b>Light Source/Count</b>	Cree High Power LED
<b>Lamp Base</b>	E40 / E39 / E27 / E26
<b>LED Luminous Efficiency</b>	>130 lm/w
<b>Luminous Flux</b>	5200 lm ±10%
<b>Color Temperature Standard</b>	CW: 4,000~5,500 K
<b>Color Rendering Index(CRI)</b>	Ra>81
<b>LED Emitter Life</b>	50,000 hours
<b>Warranty</b>	10 Years
<b>Operating Temperature</b>	-20 ~ 50°C
<b>The Dimensions</b>	600*1200*56mm / 24x48inch 12mm Panel Height

**INSTALLATION**



## Assembly drawing



### Note:

- ❖ Do not take the LED lamp apart
- ❖ The LED lamp must work under the right voltage according to the specification
- ❖ Application in enclosed fixtures may speed up lumen depreciation and shorten lamp life