



COPYRIGHT LAWS PROHIBIT REPRODUCTION OR USE OF THIS DRAWING IN WHOLE OR IN PART WITHOUT THE WRITTEN PERMISSION OF TEAM TIMBER, LLC.

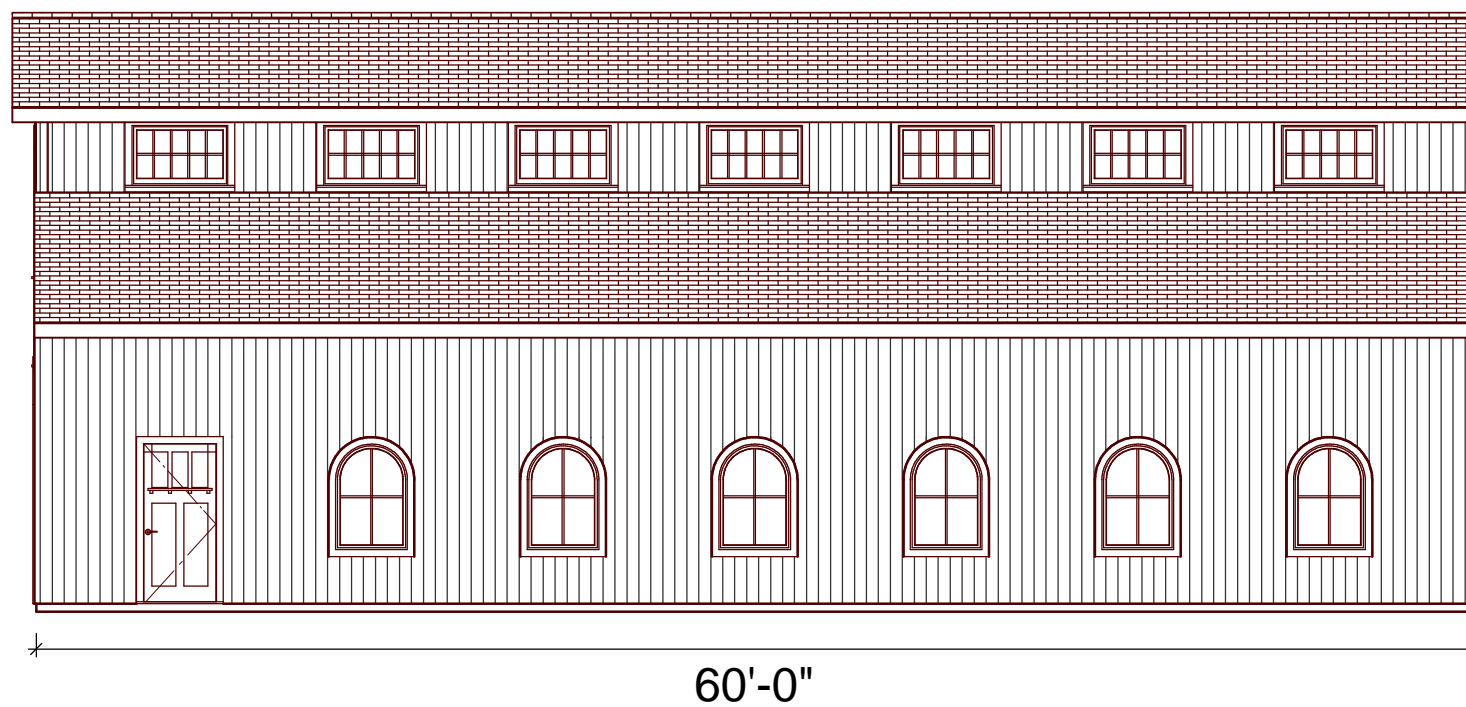
DO NOT SCALE DIMENSIONS ON THESE DRAWINGS. THESE IMAGES ARE MACHINE REPRODUCTION AND MAY CONTAIN A MARGIN OF ERROR.

**TEAM**  **TIMBER**  
40' x 60'

REVISIONS:

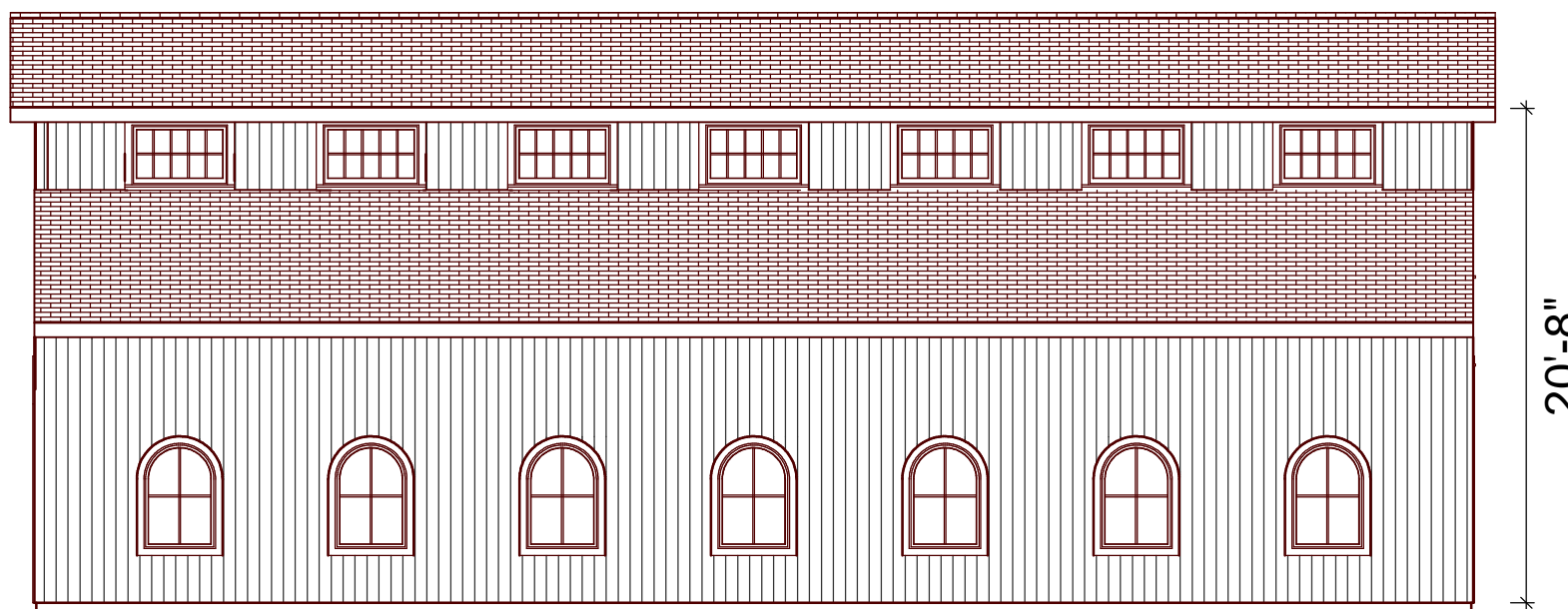
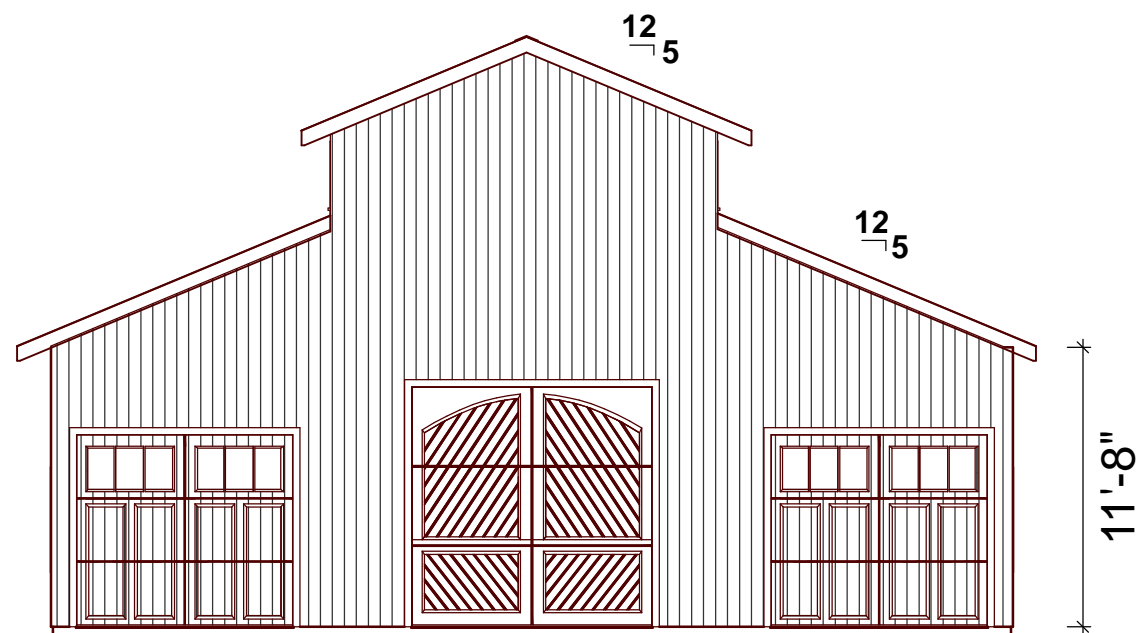
DRAWING INFO:  
Sample Elevations

DRAWING No. 001  
PRINTED: 02-02-2017



**Sample Elevations:**

Do Not Scale





COPYRIGHT LAWS PROHIBIT REPRODUCTION OR USE OF THIS DRAWING IN WHOLE OR IN PART WITHOUT THE WRITTEN PERMISSION OF TEAM TIMBER, LLC.

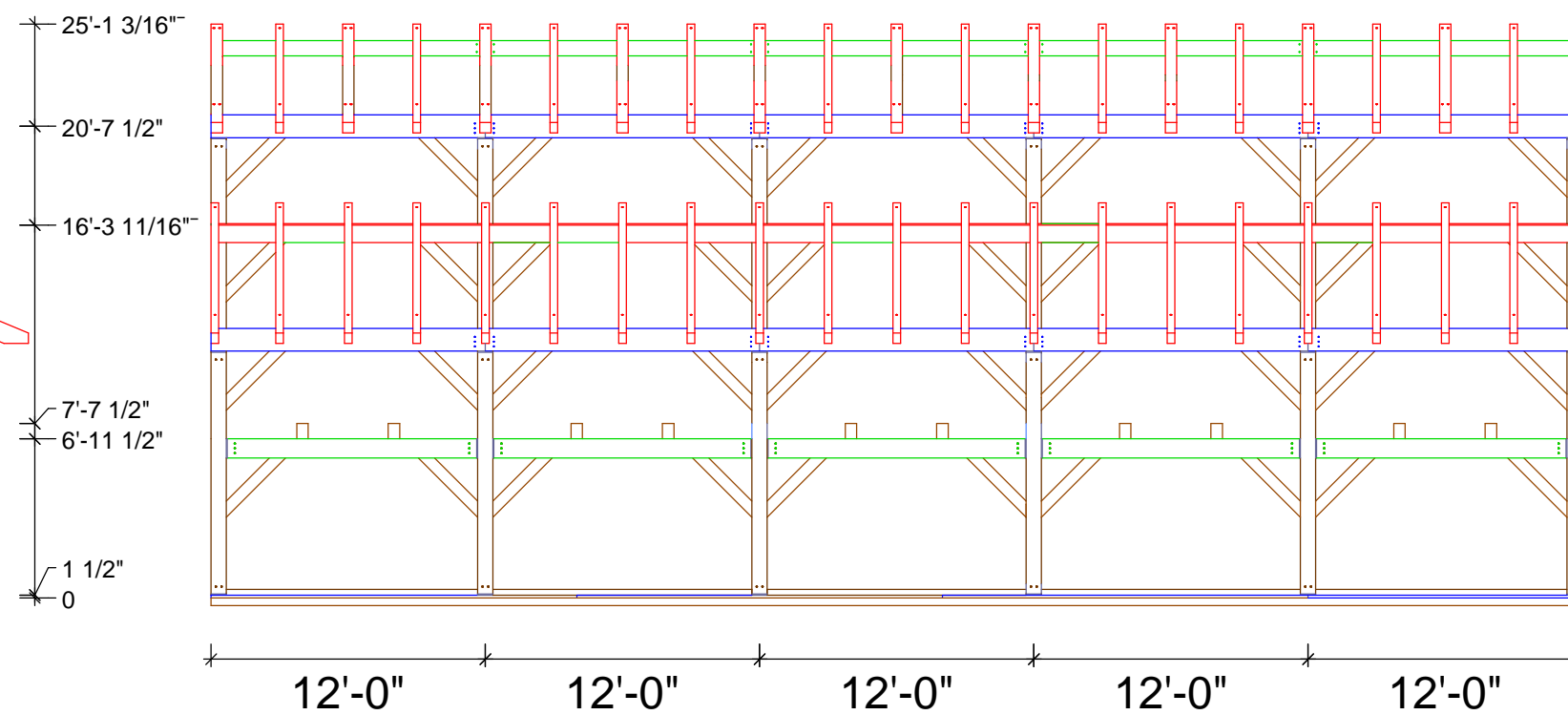
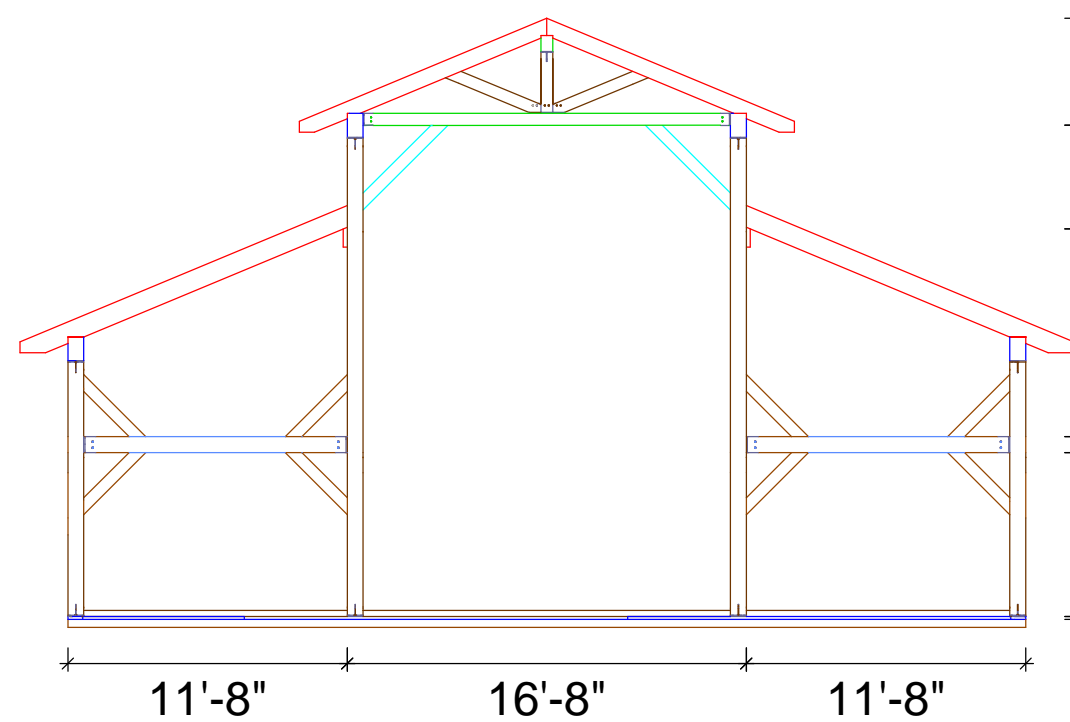
DO NOT SCALE DIMENSIONS ON THESE DRAWINGS. THESE IMAGES ARE MACHINE REPRODUCTION AND MAY CONTAIN A MARGIN OF ERROR.

**TEAM**  **TIMBER**  
**40' x 60'**

**REVISIONS:**

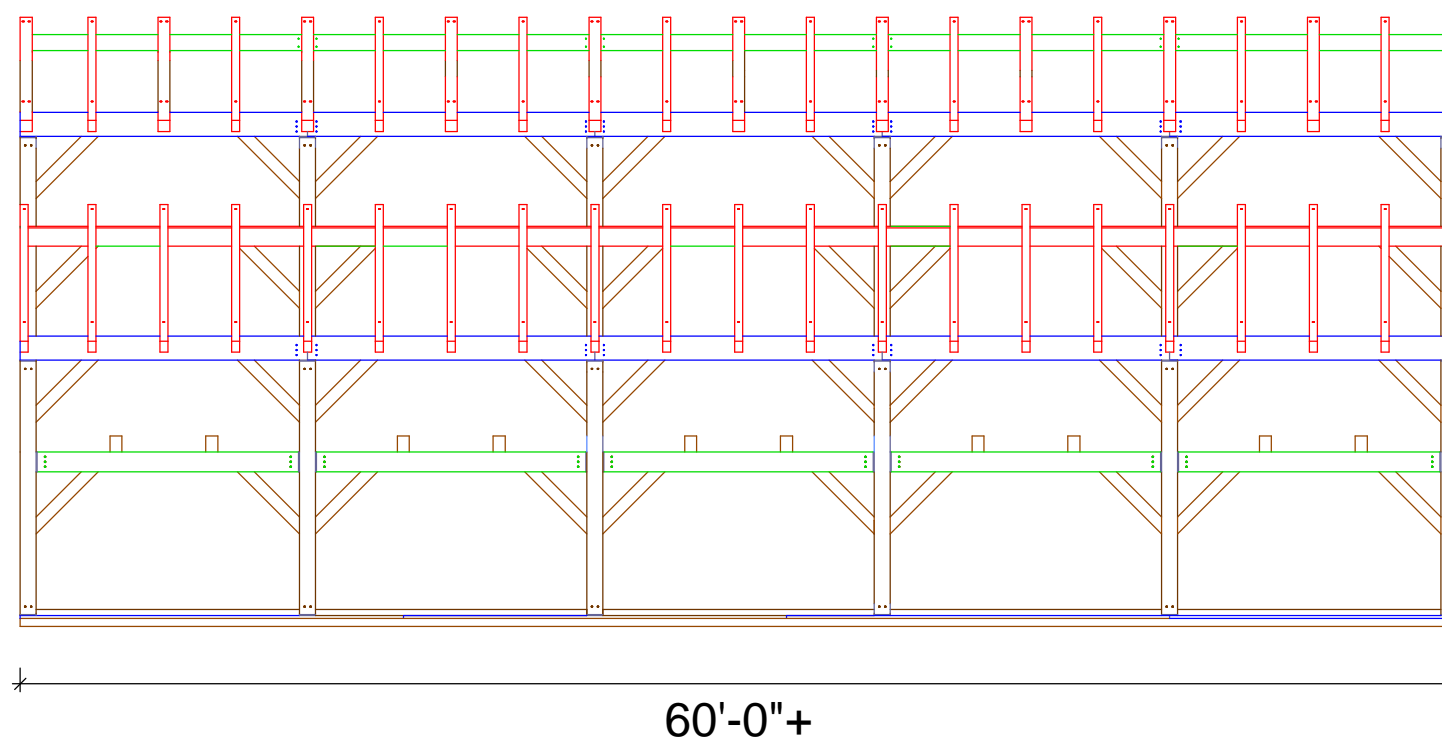
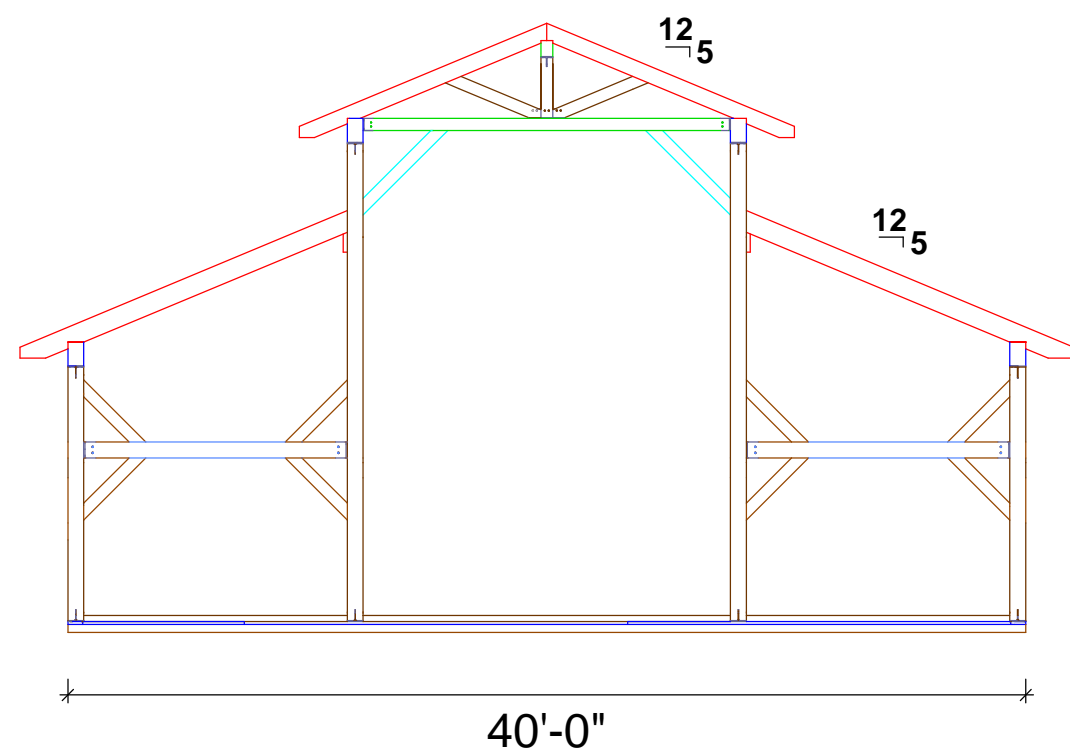
**DRAWING INFO:**  
Frame Elevations

DRAWING No. 002  
PRINTED: 02-02-2017



### **Frame Elevations:**

Do Not Scale



# Timber List

Wood Type	ITEM	Description	Pcs.	width[in]	height[in]	length[ft]	Volume[BF]
EWP	RB1	Ridge Beam	10	2	10	12'	200
EWP	SPC1	Sill Plate Cover	8	3	8	11'	176
EWP	SPC2	Sill Plate Cover	6	3	8	11'-4"	136
EWP	SPC3	Sill Plate Cover	2	3	8	15'-4"	61
EWP	KB1	Knee Brace	132	4	6	3'-8"	968
EWP	R1	Rafter	20	4	8	11'-4 7/16"	606
EWP	R2	Rafter	42	4	10	14'-11 3/4"	2097
EWP	KP1	King Post	2	6	6	2'-6 1/8"	15
EWP	KP2	King Post	9	6	6	2'-6 1/8"	68
EWP	AB1	Angle Brave	22	6	6	4'-2 13/16"	279
EWP	KB2	Knee Brace	12	6	6	5'	180
EWP	TB1	Tie Beam	13	6	6	15'-3 1/8"	595
EWP	R3	Rafter	22	6	8	11'-4 7/16"	1001
EWP	SR1	Structural Ridge	2	6	8	12'	96
EWP	SR2	Structural Ridge	3	6	8	12'	144
EWP	J1	Joist	20	6	8	12'	960
EWP	P1	Post	4	8	8	10'-6 15/16"	226
EWP	P2	Post	8	8	8	10'-6 15/16"	451
EWP	BJ1	Band Joist	12	8	8	10'-10 15/16"	698
EWP	P3	Post	4	8	8	19'-10 15/16"	425
EWP	P4	Post	8	8	8	19'-10 15/16"	850
EWP	G1	Girder	8	8	10	10'-10 15/16"	582
EWP	LB1	Ledger Board	4	8	10	10'-10 15/16"	291
EWP	G2	Girder	12	8	10	11'-2 15/16"	900
EWP	LB2	Ledger Board	6	8	10	11'-2 15/16"	450
EWP	PB1	Plate Beam	8	8	12	12'	768
EWP	PB2	Plate Beam	12	8	12	12'	1152
PT	PTS3	Pressure Treated Sill	2	2	8	6'-9"	18
PT	PTS2	Pressure Treated Sill	2	2	8	12'	32
PT	PTS1	Pressure Treated Sill	10	2	8	16'	213

Item No.	Volume[BF]
EWP	14375
PT	263
Total	14638

## Fasteners

ITEM	Pieces
T-Rex CR6060	29
T-Rex CR6018	11
T-Rex CR8010	36
T-Rex CR8010-ALT	24
T-Rex CR8080	56
T-Rex CR83W	16
T-Rex CR63W (8" Plate Beam)	4
12" GRK RSS	256
10" GRK RSS	152
8" GRK RSS	528
5" GRK RSS	912
5" GRK Caliburn	144
1/2" x 6" Aluminum Pins	148
1/2" x 8" Aluminum Pins	420

EWP- Eastern White Pine

PT- Pressure Treated

# General Notes

1). The frame design shown has not been engineered and is only intended as a general outline. It is the sole responsibility of the homeowner and/or contractor to determine if local or state code requires an engineer's stamp on plans before erection. Team Timber, LLC does not design to a specific area and for that matter will not hold any reasonability or warranty plans if plans do not satisfy the requirements of local and/or state building codes.

2). The homeowner/contractor is responsible for locating and the protection of all existing utilities and adjacent structures throughout all phases of construction.

3). The homeowner and/or contractor (builder) is responsible for implementing job site safety and construction procedures in accordance with national, state, and local safety requirements. The design, adequacy and safety of erection, bracing, shoring, temporary supports, etcetera is the sole responsibility of the builder. The builder is responsible for the stability of the structure prior to the completion of all gravity and lateral framing, roof and floor diaphragms and finish materials. Team Timber assumes no responsibility for any changes or modifications that may be made to the plans by the builder.

4). These plans do not cover work in areas not explicitly shown on the plans, including stick framed portions, adjacent buildings, basements/crawl- space areas, or any other changes or modifications.

5). Homeowner/contractor shall verify all dimensions and job site conditions before commencing work and shall report any discrepancies to Team Timber, LLC if modifications need to be made.

6). Use written dimensions. Do not use scaled dimensions. Where no dimension is provided, consult Team Timber, LLC for clarification before proceeding with the work.

7). Timbers- Unless otherwise noted, solid sawn timber shall be equivalent to ungraded eastern white pine No. 2 or better. Timbers shall be rough sawn, and sized to full stated dimensions (e.g. 8x8 = 8.0" x 8.0").

8). Timber screws- Unless noted otherwise, all screws shall be GRK RSS, GRK Caliburn or Fastenmaster Timberloks. Screw holes shall not be pre-drilled unless otherwise noted.



COPYRIGHT LAWS PROHIBIT REPRODUCTION OR USE OF THIS DRAWING IN WHOLE OR IN PART WITHOUT THE WRITTEN PERMISSION OF TEAM TIMBER, LLC.

DO NOT SCALE DIMENSIONS ON THESE DRAWINGS. THESE IMAGES ARE MACHINE REPRODUCTION AND MAY CONTAIN A MARGIN OF ERROR.



### REVISIONS:

### DRAWING INFO:

Timber List

DRAWING No. 003  
PRINTED: 02-02-2017