

LEDCAEM



FEATURES:

- City of Chicago Approved, heavy duty emergency lighting that is efficient and easy to install. It is completely self-contained and fully automatic.
- Durable 20-gauge steel construction.
- Steel material emergency heads, two lamps standard.
- Available in white or black housing.

MOUNTING:

- Knockouts on the back for wall mount.
- Side and top knockouts for conduit feed applications.

ELECTRICAL:

- 120/277V dual voltage operation standard.
- Charge rate/power "ON" LED indicator light and push-to-test switch for mandated code compliance testing.
- LVD (Low Voltage Disconnect) prevents battery from deep discharge.
- Remote capacity of 10W standard on 20W models.

LAMPS:

- Two, 6V, 5.3W adjustable white LED lamp heads.

BATTERY:

- Maintenance-free, 6V sealed lead acid rechargeable battery on emergency (EM) units.
- Fully automatic solid-state, two-rate charger initiates battery charging to recharge a discharged battery in 24 hours.
- Internal solid-state transfer switch automatically connects the internal battery to the LED lamp heads for minimum 120-minute emergency illumination.

LISTING:

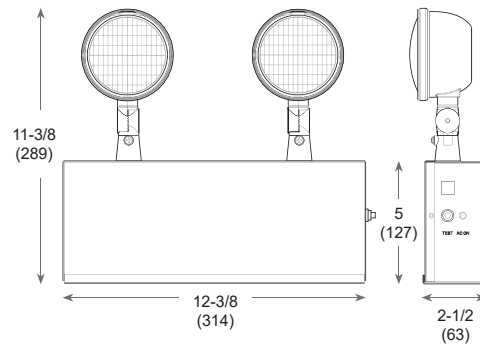
- 5 years warranty on all electronics and housing. Battery pro rated for 2 years.
- UL Listed for damp locations. (68°F (20°C) ~ 122°F (50°C)).
- Meets UL924, NFPA 70, NFPA 101 Life Safety Code, NEC, OSHA, Local and State Codes.
- Meets City of Chicago requirements.

REMOTE LAMP CAPABILITY

	Maximum Wattage Allowed
LEDCAEM-20	10

ELECTRICAL INFORMATION

	Input Watts (W)		Input Amps (A)	
	120V	277V	120V	277V
LEDCAEM-10	8.4	9.4	0.08A	0.04A
LEDCAEM-20	8.7	10.0	0.09A	0.05A



All dimensions are in inches (millimeters).

ORDERING INFORMATION

EXAMPLE: LEDCAEM-10

MODEL	# OF HEAD	HOUSING COLOR	WATTAGE
LEDCAEM	(Blank) Two Heads	(Blank) White Housing B Black Housing	10 10W 20 20W (10W Remote)