

MRHLED



FEATURES:

- Injection-molded, engineering grade, 5VA flame retardant, high-impact resistant thermoplastic housing.
- Adjustable, long lasting, efficient, ultra bright white LED heads.
- Unique all-inclusive lamp, reflector and lens assembly.
- 0.5W white LED per head.

MOUNTING:

- Universal mounting adapter plate included. Mounts to single-gang switch box.
- Suitable for wall or ceiling mount.
- Distance of maximum run is determined by system voltage, wire gauge and total maximum wattage on the run.

ELECTRICAL:

- Powered from low voltage power source with low voltage wiring (not provided).

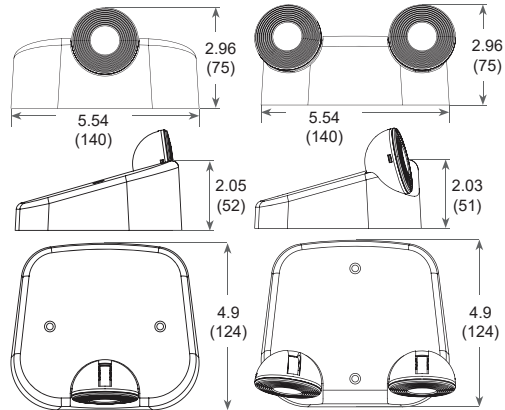
LISTING:

- Meets UL924, NFPA 101 Life Safety Code, NEC, OSHA, Local and State Codes.
- UL listed with compatible product listed in the chart.
- 5 years limited warranty.
- NFPA 70 compliant.

COMPATIBILITY CHART

* Reference individual unit equipment specification sheets for remote load capacity availability.

| Model | 3.6V |
|----------|------|
| CKXTE-RC | V |
| LEDR5HO | V |
| E-1-RC | V |
| CXTE-RC | V |



All dimensions are in inches (millimeters).

ORDERING INFORMATION

EXAMPLE: MRHLED-1-3.6V

| MODEL | HEADS | COLOR | VOLTAGE |
|--------|---------------------|------------------------------------------|-------------|
| MRHLED | 1 Single Head, 0.5W | (Blank) White Housing B Black Housing | 3.6V 3.6VDC |
| | 2 Double Head, 1W | | |