

BLD4

Project Name:	
Type:	



APPLICATION

LED bollard light provide high light efficiency. Energy saving replacement of Metal Halide and High pressure sodium lamps with a driver inside. It is designed to work in building perimeter areas and public spaces completing a wide variety of architectural styles.

FEATURES:

- Die-cast extruded aluminum housing
- Round appearance for good decorative effect and provide 360 degrees surrounded illumination.
- Dark bronze polyester powder-coat finish.
- Operating temperature: -40°C to 40°C (-40°F to 113°F)

MOUNTING:

- Ground mount.
- Template and anchor bolt are provided.

LED:

- Lumileds 3030.
- Color temperature: 4000K
- Color rendering index: >70
- Life span: >50,000 hours
- 360° distribution

ELECTRICAL:

- Input voltage: 100-277Vac., 50/60Hz
- 1-10V dimming standard.

OPTIC:

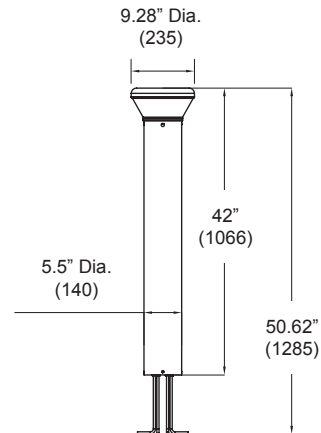
- Clear diffuser is standard.

LISTING:

- UL/cUL listed.
- Wet location listed.
- DLC premium listed.
- ARRA compliant. (optional)

CONFIGURATIONS

MODEL	Input Watts	Clear Lens	
		3100 lm	119 lm/W
BLD4	26W		



ORDERING INFORMATION

EXAMPLE: BLD4-26LED-40K-UNV-BZ-C

MODEL	LED		COLOR TEMP.		VOLTAGE		FINISH		DIFFUSER	
BLD4	26LED	26W LED	-40K	4000K	UNV	120-277V	BZ	Dark Bronze (RAL#8019)	C	Clear Diffuser (Std.)

OPTIONS		LIGHTING CONTROL SYSTEM	
EMG8W	8W EM Battery Backup	LRF-INT	<Lutron Vive System Enabled>
PC	Photocell		Limelight by Lutron Radio Module PCB Assembly
ARRA	Assembled in USA for Buy American act		