

LCW-3G

Project Name:	
Type:	



APPLICATION

The LED wall pack is ideal for general site lighting, loading docks, doorway, pathway and parking areas.

FEATURES:

- Cast aluminum housing with dark bronze finish.
- Adjustable up to 90°.

LENS:

- Polycarbonate lens.

MOUNTING:

- Wall mount.
- Two 1/2" NPT threaded openings.

LED:

- Color Temperature: 4000/5000K
- CRI: >80
- L70 ≥ 54,000 hours
- L90 ≥ 17,000 hours
- Lumen efficiency: up to 118 lm/W

ELECTRICAL:

- 0-10V dimming is standard with 100% - 10% dimming.
- 120-277V, 50/60Hz
- Power Factor > 0.90
- THD < 20%

LISTING:

- cUL listed for wet location in ambient temperature from -40°F to 104°F (-40°C to 40°C).
- IP65 rated for ingress protection.
- DLC 5.1 approved.
- Complies with FCC Part 15, class A (3L & 4L), class B (7L, 8L, & 11L).
- Complies with IEC61000-4-5, surge immunity protection (2kV).
- 5 years limited warranty on all electronics and housing.
- ARRA compliant. (optional)

CONFIGURATIONS

Series	LED	Lumen Output (4000K)	Lumen Efficiency (4000K)	Lumen Output (5000K)	Lumen Efficiency (5000K)	B.U.G. Rating
LCW-3G	23LED	2680 lm	116 lm/W	2693 lm	118 lm/W	B1-U0-G1
	37LED	4234 lm	114 lm/W	4254 lm	115 lm/W	B2-U0-G1
	57LED	6601 lm	114 lm/W	6626 lm	116 lm/W	B2-U0-G1
	71LED	8014 lm	113 lm/W	8078 lm	114 lm/W	B2-U0-G1
	93LED	10752 lm	115 lm/W	10824 lm	116 lm/W	B3-U0-G1

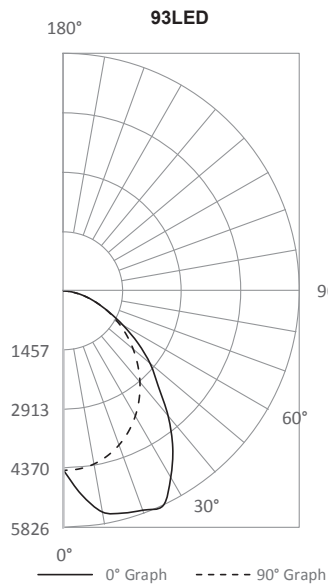
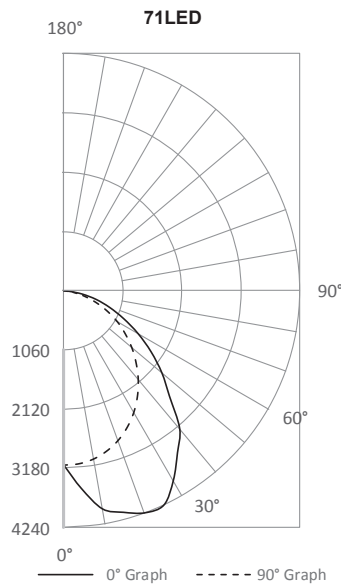
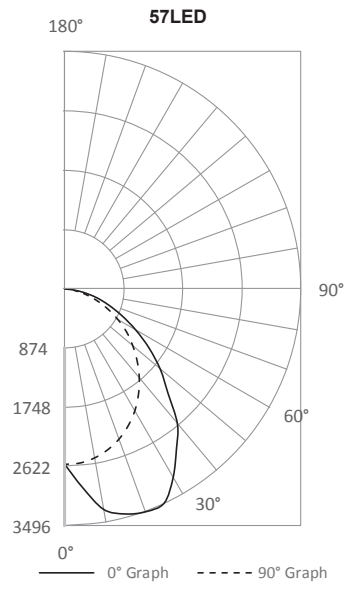
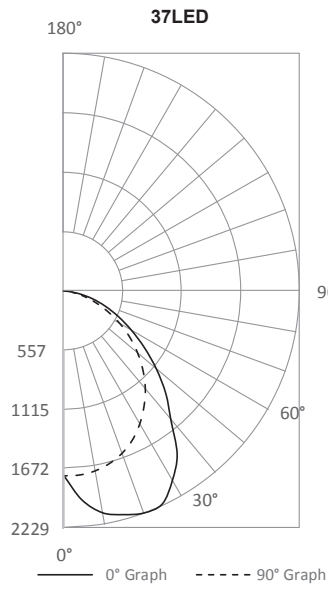
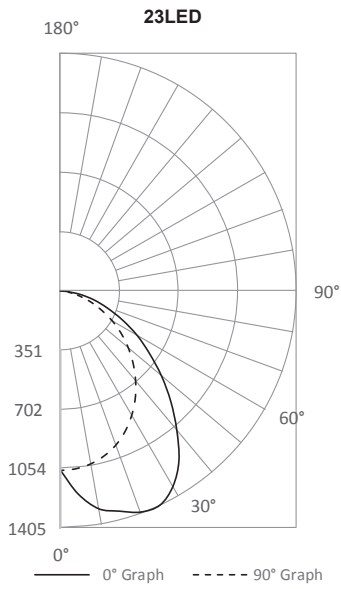
ORDERING INFORMATION

EXAMPLE: LCW-3G-23LED-40K-T2-UNV-DM-BZ

MODEL	LED	COLOR TEMP.	DISTRIBUTION	VOLTAGE	LED DRIVER	FINISH
LCW-3G	23LED 23W LED 37LED 37W LED 57LED 57W LED 71LED 71W LED 93LED 93W LED	-40K 4000K (Std.) -50K 5000K	T2 Type II	UNV 120-277V	DM 0-10V dimmable	BZ Dark Bronze (Std.)

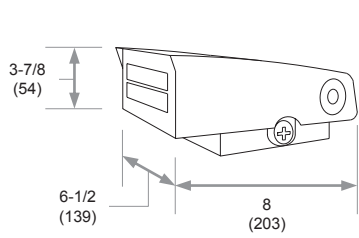
OPTIONS	
PC3 ARRA	With Photocell - Button Type 120/277V Assembled in USA for Buy American act

LCW-3G

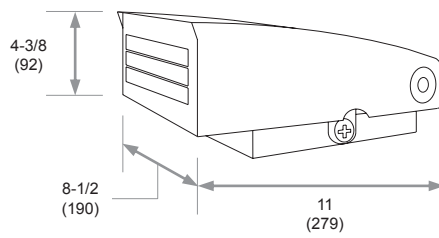


LCW-3G

23 & 37LED



57 & 71LED



93LED

