

LEDR-7



FEATURES:

- Durable 20-gauge steel trim plate in white or black finish.
- Trim securely attached to housing with spring clips.
- Available in white or black finish.

MOUNTING:

- Compatible with drop ceiling mount installations.
- Bar hangers on the back box for recessed mount.

ELECTRICAL:

- Dual 120/277 voltage.
- Charge rate/power "ON" LED indicator light and push-to-test switch for mandated code compliance testing.
- Remote capacity of 10.0 watts standard.

LAMPS:

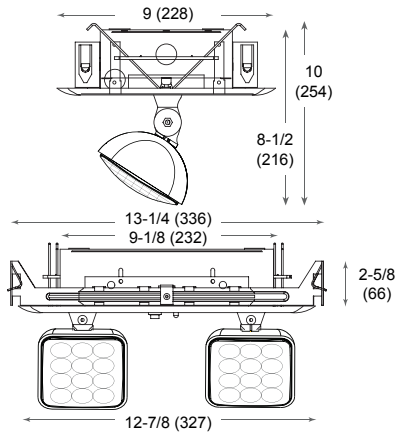
- Two fully adjustable 1.0 watt white LED lamp heads.
- High performance chrome-plated metal reflectors and plastic lens for optimal light distribution.

BATTERY:

- 6V maintenance-free, rechargeable sealed lead acid battery.
- LVD (low voltage disconnect) prevents battery from deep discharge.
- Internal solid-state transfer switch automatically connects the internal battery to lamp heads for minimum 90-minute emergency illumination.
- Fully automatic solid-state, two rate charger initiates battery charging to recharge a discharged battery in 24 hours.

LISTING:

- Five year warranty on all electronics and housing. Battery prorated for two years.
- Meets UL924, NFPA 101 Life Safety Code, NEC, OSHA, Local and State Codes.
- UL Listed for dry locations. (25°C)



Dimensions

- A: Housing Width: 13-1/4 (336)
- B: Housing Height: 9 (228)
- C: Housing Depth: 10 (254)

All dimensions are in inches (millimeters).

ORDERING INFORMATION

EXAMPLE: LEDR-7-WH

MODEL	HOUSING COLOR
LEDR-7	WH White Housing BK Black Housing