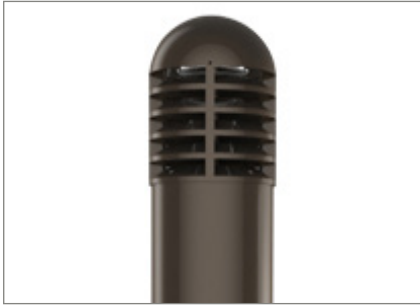


BLD3

Project Name:	
Type:	



APPLICATION

LED bollard light provide high light efficiency. Energy saving replacement of Metal Halide and High pressure sodium lamps with a driver inside. It is designed to work in building perimeter areas and public spaces completing a wide variety of architectural styles.

FEATURES:

- Die-cast extruded aluminium housing.
- Superior performance extends to the detailed finish of the louvers.
- Anodized aluminum louvers with one-piece clear acrylic lens secured in gasketed housing.
- Fully sealed to prevent any leakage from the outside.
- Grating or sand blast reflector inside fixture can prevent light glare effectively.
- Without any hazardous material in fixture.
- 21.1lbs (9.6kg)

MOUNTING:

- Offers a impact resistant mounting and leveling design ensuring life long performance.
- Anchor bolts and base plate are provided as standard.

LED:

- CREE LED.
- Color Temperature: 3000/4000/5000 (K)
- LM79, LM80
- CRI: >70
- 120 degree beam, 360 degree distribution.
- LED Module: High efficiency up to 60 lm/W.
- Service life: Greater than 50,000 hours(L₇₀) minimizing maintenance frequency.
- Proprietary binning for uniform color.

ELECTRICAL:

- Ambient Operating Temperature: -4°F (-20°C) ~ 113°F (45°C).
- Power Factor: >0.95
- Input Voltage: 120V-277V, 50/60Hz
- 347-480V is operated with 347-480V LED driver, not with 120-277V step-down transformer.

OPTIC:

- Aluminum louver installed as standard for superior performance.
- U.V stabilized polycarbonate cover.

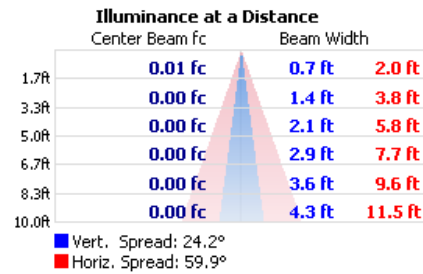
LISTING:

- cETLus listed.
- LM79, LM80 available.
- 5 years warranty.
- Suitable for wet location.
- ARRA compliant. (optional)

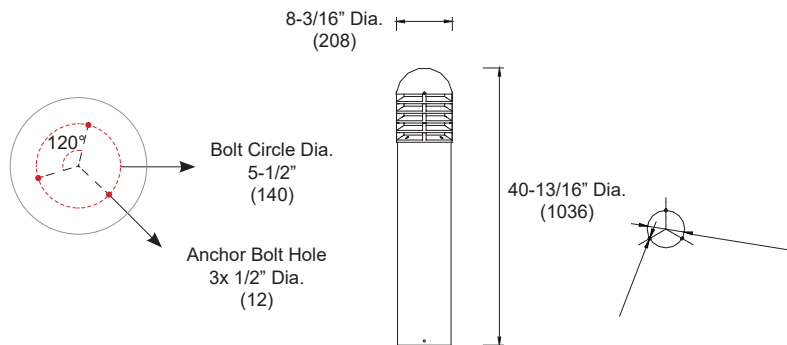
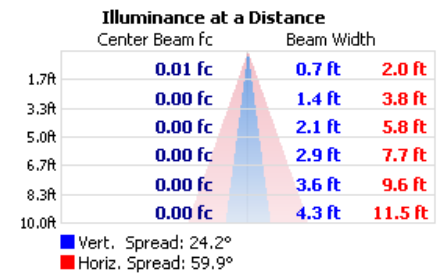
CONFIGURATIONS

	Input Watts	Lumen Output	BUG Rating
BLD3	25W	1500 lm	B1-U1-G0
	35W	2100 lm	
	40W	2400 lm	

BLD3-25LED



BLD3-35LED



BLD3

ORDERING INFORMATION

EXAMPLE: BLD3-25LED-30K-UNV-BK

MODEL	LED		COLOR TEMP.		VOLTAGE		FINISH		CONTROL	
BLD3	25LED	25W	-30K	3000K	UNV	120-277V (Std.)	BZ	Dark Bronze (RAL#8019) (Std.)	(Blank)	None
	35LED	35W	-40K	4000K	HV	347-480V	*BK	Jet Black (RAL#9005)	DM	1-10V / PWM ¹
	40LED	40W ²	-50K	5000K			*GR	Dark Grey (RAL#7016)		
							*LG	Traffic Grey (RAL#7042)		
							*WH	White (RAL#9010)		
							**CC	Custom Color		
								<small>* Non-standard finish with extra charge. ** CC: additional charge & set-up fee. Provide RAL# code.</small>		

OPTION	
ARRA	Assembled in USA for Buy American act

NOTES:

1. Only available with 40W.
2. Only available with DM option.