

# LAD8A

Project Name:	
Type:	



**APPLICATION**

8" Horizontal architectural frame-in is design for high quality application with lens. Ideal for commercial, retail, conference rooms and hospital where architectural LED downlight fixture is required.

**FEATURES:**

- Heavy gauge die formed galvanized steel mounting frame trim clips to mount open conical shape reflector.
- Vertically adjustable mounting brackets that use conduit or C channel (please see drawing for recommended C channel size on the next page). Provides 3-3/4" total adjustment.
- C channel is optional, not included as std.
- Post installation adjustment possible from above or below the ceiling.
- Maximum 1-1/2" ceiling thickness.
- Reflectors are optically designed to maximize lumen output and to provide superior glare control.
- Non-insulated ceilings or where insulation can be kept 3" from all side of housing.

**JUNCTION BOX:**

- Galvanized steel junction box with seven 1/2" knockouts, four pryouts, and snap on cover.
- Electrical connections are made through a single junction box door.
- Access to junction box from below ceiling after removal of reflector for easy maintenance.

**LED:**

- CREE LED technology.
- 50,000 hours.
- 4000K color temperature standard.
- 16W, 25W, 38W, 50W, 70W, 100W LED.
- Color Rendering Index: > 90

**ELECTRICAL:**

- Input voltage: 120-277V
- 3 in 1 dimming: Triac (120V only), 0-10V (dim to 1%, 120-277V), ELV (120V only).
- Thermal protection.
- Surge protection (3kV line to line, 6kV line to earth).
- Protections: Output open load, over-current and short-circuit(hiccup), and over-temperature with auto recovery.
- Conducted and radiated EMI: Compliant with FCC CFR Title 47 Part 15 Class B (120 Vac)/ Class A (277 Vac) and EN55015 (CISPR 15) at 220/230/240 Vac.

**<ELCU-200>**

- Guarantees emergency lighting remains ON or is turned on when power to the control device is lost.
- Interfaces with fire alarm panel or security system.
- "Watchdog" feature allows emergency loads to be controlled in tandem with normal power loads.
- UL listed for use in emergency circuits.

**LISTING:**

- UL/CUL listed for damp locations with covered ceiling.
- UL/CUL wet location listed.
- Listed to UL 1598 and UL 8750.
- Minimum 75°C supply conductors.
- CSA certified to US.
- Energy Star certified. <sup>5</sup>
- 5 years limited warranty.
- 10 years limited warranty (optional). <sup>7,8</sup>
- ARRA compliant (optional).

**ORDERING INFORMATION**

*EXAMPLE: LAD8A-25L-40K-UNV-EMI10-WW-W-O60*

MODEL		LED				COLOR TEMP.		VOLTAGE		LED DRIVER	
LAD8A	8" Architectural Frame	16L	16W LED	Lumen Output	Lumen Efficiency	-27K	2700K	UNV 347	120-277V 347V <sup>4</sup>	DM	- Triac (120V Only)
		25L	25W LED	1458 lm	90.6 lm/W	-30K	3000K				- 0-10V(dim to 1%, 120-277V)
		38L	38W LED	2201 lm	86.8 lm/W	-35K	3500K				- ELV (120-277V)
		50L	50W LED	3035 lm	82 lm/W	-40K	4000K (Std.)				0-10V dim to 1%
		70L	70W LED	3904 lm	80.8 lm/W	-50K	5000K				5%, Lutron (Ecosystem) <sup>2</sup>
100L	100W LED	5920 lm	84.2 lm/W	-275K	Tunable white 2700-5000K (Max. 50W) <sup>3</sup>	1%, Lutron (Soft Fade to Black, Ecosystem) <sup>2</sup>	LDE1	elddoLED LightShape DALI dim to dark,			
										ED560	0.1% ~ 100%
										RDMX	elddoLED POWERdrive DMX/RDM Full-color, 0.1% ~ 100%

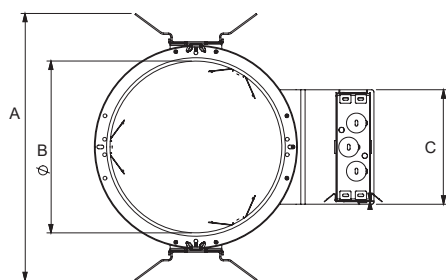
EM <sup>9, 10</sup>		REFLECTOR		TRIM RING		LENS		OPTIC	
EMI10	1620 LUMEN EM Battery Backup	WW	White Reflector w/ White Plastic Ring	(Blank)	White Trim Ring	(Blank)	Dry / Damp location	O20	Narrow
EMI15	2430 LUMEN EM Battery Backup	CW	Clear Reflector w/ White Plastic Ring	BK	Black Trim Ring	W	White Smooth Splay w/ Frosted Lens (Wet Location)	O40	Medium
EMI20	3240 LUMEN EM Battery Backup	PLW	Platinum Haze Reflector w/ White Plastic Ring					O60	Wide (Std.)
INT	EM Pilot Located on Reflector							WA	Wall Wash

# 8" ARCHITECTURAL NEW CONSTRUCTION FRAME

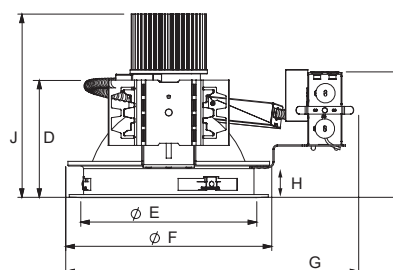
OPTIONS		LIGHTING CONTROL SYSTEM	
<b>ARRA</b>	Assembled in USA for Buy American Act	<b>VRF</b>	<Lutron Vive System Enabled>
<b>ELCU-200</b>	Fail-to-on Emergency lighting, UL924 <sup>1</sup>	<b>FCJS0</b>	Vive Integral fixture control (RF only, for Lutron EcoSystem drivers)
<b>GTD</b>	Bodine Generator Transfer Device	<b>FCJSE</b>	FCJS-010, Vive Attached fixture control (RF only for 0-10V drivers)
<b>GTD10DIM</b>	Bodine Generator Transfer Device (0-10VDC Dimmer Override)	<b>FCJSE0EM</b>	FCJS-ECO, Vive Attached fixture control (RF only for Lutron EcoSystem drivers)
<b>CHB24</b>	C-Channel Bar	<b>FCJS0EM</b>	FCJS-010-EM, UL 924 Emergency (Must be ordered with FCJS-010)
<b>FRAME</b>	Rough-in frame pre-ship request <sup>6</sup>	<b>FCJSEEM</b>	FCJS-ECO-EM, UL 924 Emergency (Must be ordered with FCJS-ECO)
<b>O10W</b>	Optional 10 Years Limited Warranty <sup>7,8</sup>		
<b>SF</b>	Self-flanged trim		

**NOTES:**

- Shipped separately.
- Available with 16L, 25L and 38L only.
- Must be ordered with ED560 or MU050 driver.
- Only available up to 38W.
- 38L model is exempt.
- LED driver and EM (if selected) will be included.
- This limited warranty covers electrical parts only and does not apply to labor, equipment lease, or defect from improper installation or operation.
- Available with 0-10V dimming only. (Up to 50W)
- Contact factory for other emergency battery backup options.
- Must specify voltage, not available with 347V, 480V.

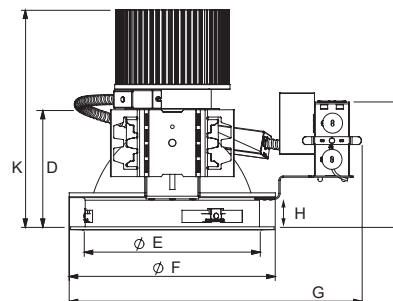


**Dimensions**  
 A: 12-7/32" (310)  
 B: 7-7/8" Dia. (200)  
 C: 5-1/4" (133)



**Dimensions (16W, 25W, 38W, 50W)**

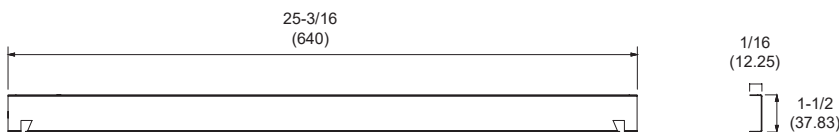
- D: 5-11/32" (136)
- E: 7-15/16" Dia. (202)
- F: 9-5/16" (236)
- G: 13-7/32" (336)
- H: 1-1/2" (38)
- I: 5-3/4" (146)
- J: 8-7/16" (214.9)



**Dimensions (70W, 100W)**

- D: 5-11/32" (136)
- E: 7-15/16" Dia. (202)
- F: 9-5/16" (236)
- G: 13-7/32" (336)
- H: 1-1/2" (38)
- I: 5-3/4" (146)
- K: 9-15/16" (251.9)

**Recommended C Channel Bar**  
 part# CHB24 (optional)



All dimensions are in inches.  
 Drawings are for dimensional detail information only.

**COMPATIBLE DIMMER SWITCH (TABLE 1)**

Model #	Brand	Compatible Dimmer Switch	
DM (0-10V, dim to 1%)	-	<Leviton>	IllumaTech series (IP710-DL)
		<Lutron>	Nova series (NFTV-xx), Diva series (DVTV-xx)
DM (120Vac for Triac, ELV)	-	<Lutron>	S-603PG, DVCL-153P, DV-600P, TGCL-153P, S600P, DVELV-303P, SELV-300P, TG-600P, LG-600P, CT-103P, MAELV-600, FAELV-500
		<Leviton>	IPI06-1LZ, 6631-2, VPE06, 6683-IW, 6161, 6633-P, IPE04
		<Cooper>	DLC03P, SLC03P, DAL06P
		<Lightolier>	ZP260QEW
ED560	eldoLED DUALdrive	<Lunatone>	SS-LUNAT PS2 30mA SS-LUNAT Touch or BT SS-LUNAT Comm
LDE1	Lutron Hi-lume 1% EcoSystem	<Lutron>	PowPak Dimming Modules: RMJ-ECO32-DV-B, FCJ/FCJS-ECO Energi Savr Node (120V only): QSN-1ECO-S, QSN-2ECO-S GRAFIK Eye QS/Homeworks QS control unit (120V only): QSGRJ- _E(wireless) QSGR- _E Quantum Hub (120V only): QP2- _2C/4C/6C/8C Homeworks QS/myRoom Plus power module (120V only): LQSE-2ECO-D
LDE5	Lutron 5-Series EcoSystem		

# LAD8A

BEAM ANGLE (OPTIC) TABLE

Wattage	LAD4-CW			LAD6-CW			LAD8-CW		
	O20	O40	O60	O20	O40	O60	O20	O40	O60
16W	23.1°	42.8°	57.8°	21.6°	36.8°	56.6°	23.1°	39°	58.2°
25W	25°	44.3°	58.9°	23.8°	39.1°	58.1°	24.7°	40.5°	59.1°
38W	34.8°	53.6°	60.2°	31.9°	48.8°	59.9°	33.1°	53.9°	61.4°
50W	34.3°	51.2°	59.7°	31.8°	47.4°	58.7°	33.4°	50.1°	61.7°
Wattage	LAD4-WW			LAD6-WW			LAD8-WW		
	O20	O40	O60	O20	O40	O60	O20	O40	O60
16W	22.9°	40.8°	52.7°	22.7°	40.7°	55.2°	22.5°	39.2°	57.8°
25W	24.3°	41.6°	53.5°	24.6°	41.5°	56.3°	24.5°	40.3°	58.7°
38W	34.3°	48.5°	55.6°	34.1°	50.8°	58°	33.5°	49.2°	62.5°
50W	33.7°	46.9°	55.3°	33.6°	48.6°	58°	33.7°	47.3°	63.3°
Wattage	LAD4-PLW			LAD6-PLW			LAD8-PLW		
	O20	O40	O60	O20	O40	O60	O20	O40	O60
16W	22.7°	42.1°	54.9°	22.2°	40.4°	54.6°	23°	39.3°	57.7°
25W	24.7°	43.8°	55.5°	24.6°	42°	55.3°	24.5°	40.6°	58.5°
38W	35.6°	51.9°	58°	34°	49°	58°	33.3°	50.1°	60.7°
50W	34.9°	49.3°	57.5°	33.3°	48.5°	57.4°	33.6°	47.4°	61.3°

