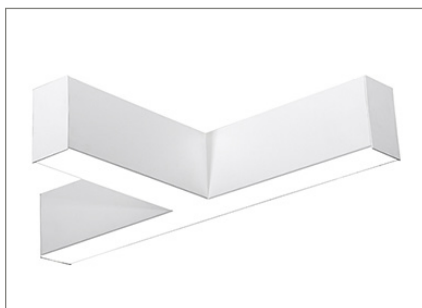


CUBE2-T

Project Name:	
Type:	



APPLICATION

The CUBE2-T creates a design statement for contemporary and traditional architectural interiors. The 90 degree luminaires are decorative and suitable for a multiple of applications like offices, retails, museums and galleries as well as high ceiling application such as lobbies.

FEATURE:

- Housing is formed by cold-rolled steel with a highly reflective die-formed white painted steel reflector.
- The snap-in acrylic lens has a matte finish and a diffuser (.125" thick) which is removable for lamp replacement.

MOUNTING:

- Pendant and drywall mount available.

LED:

- High quality array LEDs.
- LM80
- Color Temperature: 3000/3500/4000/5000 (K)
- Color Rendering Index: > 80 (optional > 90).
- Nominal Lamp Life: 100,000 hours.
- Reported L70 hours: +60,000 (55°C).

ELECTRICAL:

- High power factor electronic driver, operate from a 120 ~ 277 Vac input range, 50 / 60 Hz.
- Features included over voltage protection, surge, short circuit protection and over load protection.
- Power Factor: typical > 0.95, THD <20, meets Class1 or Class 2 circuit.
- 0-10V dimmable driver as standard.
- 0-10VDC dimming 1%~100%.
- Operating temperature: -4°F (-20°C) ~ 122°F (50°C).

<ELCU-200>

- Guarantees emergency lighting remains ON or is turned on when power to the control device is lost.
- Interfaces with fire alarm panel or security system.
- "Watchdog" feature allows emergency loads to be controlled in tandem with normal power loads.
- UL listed for use in emergency circuits.

FINISH:

- Standard powder-coat textured white painted finish on exposed trim, consult factory for custom colors.
- Comes with snap-in acrylic lens as standard.

LISTING:

- UL / CUL listed.
- Listed to UL 1598 and UL 8750.
- UL listed for dry & damp location.
- Assembled in USA (optional)
- 5 years limited warranty.
- 7 or 10 years limited warranty. (optional) ⁵
- Bluetooth Mesh System available, please contact factory for more information.

CONFIGURATIONS

Series	Model #	AC Input	Fixture Lumen Output (4000K)		Lumen Efficiency (4000K)
CUBE2-T	18L	14.85W	1921.29 lm (100% Down)	1921.29 lm	129.38 lm/W
	27L	22.27W	2461.50 lm (100% Down)	2461.50 lm	110.53 lm/W
	36L	29.7W	3182.95 lm (100% Down)	3182.95 lm	107.17 lm/W
	48L	37.35W	3977.77 lm (100% Down)	3977.77 lm	106.49 lm/W
	54L	43W	4556.28 lm (100% Down)	4556.28 lm	105.96 lm/W
	18L/18L	29.7W	1950.73 lm (57.6% Down) / 1435.96 lm (42.4% Up)	3386.69 lm	114.03 lm/W
	27L/18L	37.12W	2477.46 lm (63% Down) / 1455.03 lm (37% Up)	3932.49 lm	105.94 lm/W
	27L/27L	44.55W	2653.58 lm (57.6% Down) / 1953.32 lm (42.4% Up)	4606.91 lm	103.41 lm/W
	36L/18L	44.55W	3140.08 lm (65.5% Down) / 1653.94 lm (34.5% Up)	4794.02 lm	107.61 lm/W
	48L/18L	52.2W	3427.08 lm (64.6% Down) / 1878 lm (35.4% Up)	5305.08 lm	101.62 lm/W
	48L/27L	59.62W	3593.09 lm (59.3% Down) / 2466.09 lm (40.7% Up)	6059.18 lm	101.62 lm/W
	54L/18L	57.85W	4291 lm (73% Down) / 1587.1 lm (27% Up)	5878.1 lm	101.61 lm/W

CCT	Multiplier		
	3000K	3500K	5000K
Down only	0.9642	0.9822	1.0357
Up&Down	0.971	0.9856	1.029

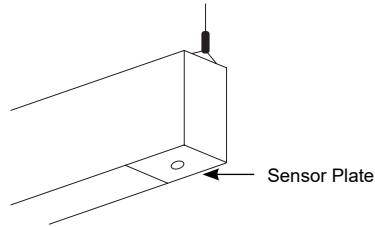
OUTPUT CURRENT

		Bi-Level		Tri-Level (Default)	
SW1	SW2	Config Range	Default	Config Range	Default
Close	Open	10% - 70%	40%	10% - 70%	30%
Open	Close	10% - 70%	40%	10% - 70%	70%
Close	Close	100%	100%	100%	100%
Open	Open	0%	0%	0%	0%

WEIGHT

Item	lbs	kg
CUBE2-T	10.45	4.74
CUBE2-T-FT	12.76	5.79

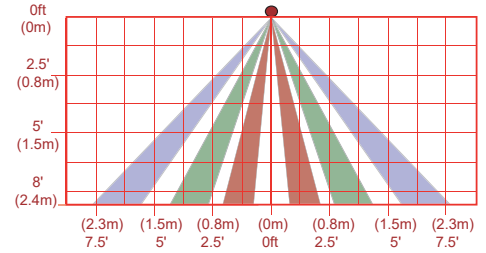
CUBE2-T



Lutron Vive Integral fixture control installation



EasySense fixture-mount installation



AMS coverage pattern (side view)

* The coverage shown in the diagram is maximum. AMS is designed to detect small motion when mounted within 6' occupants.

ORDERING INFORMATION


EXAMPLE: CUBE2-T-D27L-30K-UNV-X1-AC48


MODEL	LED Downlight (per/each section)		LED Uplight ¹ (per/each section)		COLOR TEMP.		SEPARATE COLOR TEMP. ¹		
CUBE2-T	D18L D27L D36L D54L	18W LED 27W LED 36W LED 54W LED	/U18L /U27L	18W LED 27W LED	(Blank) -30K -35K -40K -50K	Leave blank if you wish to have different CCT for up and down, and fill out next section. 3000K 3500K 4000K 5000K	(Blank) DXXUY	Leave blank if you wish to have different CCT for up and down, and fill out next section. Indicate 27,30,35,40 or 50 for XX and YY (D represents Downlight, U represents Uplight).	
		* Maximum wattage per each section - pendant : 56W(up & down light) - recessed mount : 40W(down light)							
		* Contact factory for custom wattage or lumen requirement.							

CRI		MOUNTING		VOLTAGE		EM SECTION		FIXTURE FINISH ¹¹	
(Blank) C9	80+ CRI 90+ CRI ¹⁰	(Blank) FT	Pendant Standard 1/2" Flange (drywall) ²	UNV 120 277 347	120-277V 120V 277V 347V ¹⁶	(Blank) 1SE	None EM 1 Section	(Blank) *BK *SV **CC *AMB	Matte White RAL #9003 (Std.) Black RAL #9011 Silver (RAL #9022) Custom Color ⁹ Anti-Microbial Coating (Matte Skye White)
								* Non-standard finish with extra charge. ** Additional charge & set up fee.	

CORD FINISH (for pendant)		CANOPY FINISH (for pendant)		CEILING TYPE (for pendant)		SUSPENSION LENGTH (for pendant)	
(Blank) *BKC	White (Std.) Black	(Blank) *BC *SC **CSS	White (Std.) Black Canopy Silver Canopy Custom Canopy Color (White is Std.)	X1 X2 X3 X4	15/16" grid T-bar ceiling Hard ceiling Sloped Hard ceiling 9/16" T-bar ceiling	AC48 AC96 ST24 ST48	Adjustable Aircraft Cable Canopy 48"L Adjustable Aircraft Cable Canopy 96"L Stem Canopy 24"L Stem Canopy 48"L
		* Non-standard finish with extra charge. ** Additional charge & set up fee.				* Contact factory for custom length.	

CUBE2-T

LED DRIVER		OPTIONS	
(Blank)	0-10V dim to 1% (Std.) (dim both uplight and downlight simultaneously)	STB	Slip Through Bracket ³
UDSD	Separate Dimming Control of Uplight and Downlight (0-10V dim to 1%) ^{8, 15}	EM5MC	810 LUMEN Emergency Ballast (32°F (0°C) ~ 131°F (55°C))
SP	Separate Power Control for Uplight and Downlight	EM7MC	1134 LUMEN Emergency Ballast (32°F (0°C) ~ 122°F (50°C))
ES566	eldoLED SOLOdrive Natural Dimming to dark, 0-10V, 100% ~ 0.1% dim	EM10MC	1620 LUMEN Emergency Ballast (32°F (0°C) ~ 131°F (55°C))
SD40	40% / 100% Bi-Level Step dim	EMC	CEC compliant EM ⁴
SDXX	XX% / 100% Bi-Level Step dim (Specify XX : 10% ~ 70%)	GTD	Bodine Generator Transfer Device
PHSR	Philips Xitanium Sensor-Ready, Dali 5%~100% dim.	GTD10DIM	Bodine Generator Transfer Device (0-10VDC Dimmer Override)
PHDL	Philips Xitanium DALI driver, Dim to 5%	GLR	Fast Blow Fuse ¹⁷
ED560	eldoLED LightShape DALI dim to dark, 0.1% ~ 100%	GMF	Slow Blow Fuse ¹⁷
TDM	Triac Dim. (120V only)	ARRA	Assembled in USA for Buy American Act
TD30/70	30% / 70% / 100% Tri-Level Step dim	O7W	Optional 7 Years Limited Warranty ⁵
TDXX/YY	XX% / YY% / 100% Tri-Level Step dim (Specify XX, YY : 10% ~ 70%)	O10W	Optional 10 Years Limited Warranty ⁵
LDE1	Hi-lume 1% EcoSystem LED driver with Soft-on, Fade-to-Black dimming technology, 100% ~ 1% dim	AMS	Occupancy Sensor w/ Daylight Harvesting ⁶
ELV	ELV compatible (reverse-phase or trailing-edge)	DPMS	Daylight Dimming Photo Sensor (0-10 VDC Control), (LSR-301-S required) ¹⁹
TRIOT	Tridonic IoT ready, 1-100% dim via Smart Module Interface (SMI), automated dimming/lighting controls via Enlighted Sensor Interface	SO	Dimming Wires connected to Sensor Only ⁷
DTO	0-10V DIM-TO-OFF	LSR-301-S	Setup Remote Control for DPMS (Required for DPMS)
DIMT	Tri-mode dimming (Triac, ELV, 0-10V)	LSR-301-P	Occupant Remote Control for DPMS
DMX	DMX512 control system (Only available with RGB+W option)	E1F	End feed on one end (Pre-drilled hole for 1/2" fitting)
DLM	Wattstopper's DLM interface (Only available with RGB+W option)	E2F	End feed on both ends (Pre-drilled holes for 1/2" fitting)
LTEA2W	Hi-lume 1% 2-wire LED driver (120V forward phase only) ¹⁸		
 BLT	Bluetooth Mesh System (contact factory for more information)		

LIGHTING CONTROL SYSTEM	
LUTRON VIVE	<p><Lutron Vive System Enabled></p>  <p>Click Here!</p>
SNS200	<EasySense>
RS-IR	EasySense Fixture-mount occupancy sensing, daylight harvesting and task tuning in one device (Must be ordered with PHSR driver) ^{12, 13} IR dongle v2.0 for EasySense control
SU-5E	<Enlighted> Enlighted IoT ready 0-10V Indoor Micro sensor with occupancy/vacancy detection, daylight harvesting, thermal sensing, task tuning, and room and zone control, Bluetooth enabled (Must be ordered with TRIOT) ¹⁴
RS-WS	Enlighted Room controller providing basic control functions of a standard wall switch with preset dimming capability

NOTES:

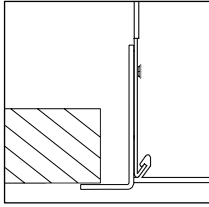
- Pendant only.
- Requires # STB as standard.
- Standard with "FT" mounting.
- Check with factory for more details.
- This limited warranty covers electrical parts only and does not apply to labor, equipment lease, or defect from improper installation or operation.
- The standard will be ON/OFF sensor with dimming wires provided for dimmer switch. For sensor dimming control, please select additional "SO" option.
- Dimming wires provided and connected to sensor only, not for dimmer switch. (available with AMS and DPMS option)
- For separate dimming control, please be advised it may not be available when EM battery backup is added due to limited space. Please contact us for more information.
- Refer to color charts (RAL and/or Cardinal) in the separate attachment.
- Lumen per watt is around 15% less than standard CRI (80+).
- Cord is available in white or black. (Black is not available for the EM option)
- See NFC and IR manual in the separate attachment. If your phone is not compatible, please order "RS-IR" and follow the manual.
- Refer to Advanced Grouping Datasheet for its default setting and compatible wireless switches.
- "RS-WS" option can be added if wish to have a wall switch, please see Enlighted Room Controller in the separate attachment.
- Can have up to 2 power feeds depending on the configuration.
- 347V cannot work with Emergency Battery Backup.
- Must specify voltage, not available with 347V.
- Not available with any 1ft individual configuration due to space limitations.
- Automatic on/off is not available. For automatic on/off, additional occupancy sensor is required or a manual on/off switch can be done.

CUBE2-T

- INACCESSIBLE CEILING MOUNTING

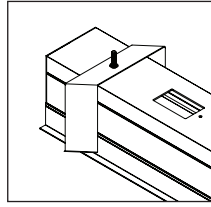
- SPECIALTY MOUNTS

Flange Detail



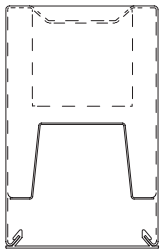
Exposed Flange Detail:
Specify FT in part #

Rotating Crossbar

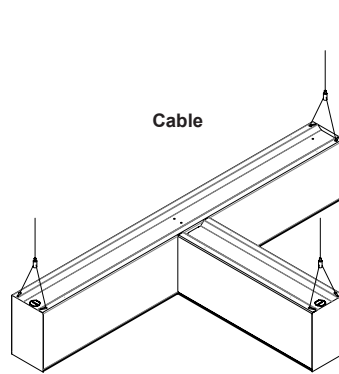
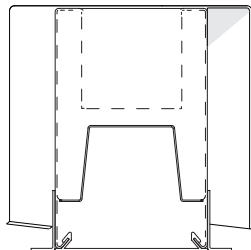


Unavailable Structure Support:
Specify STB in part #

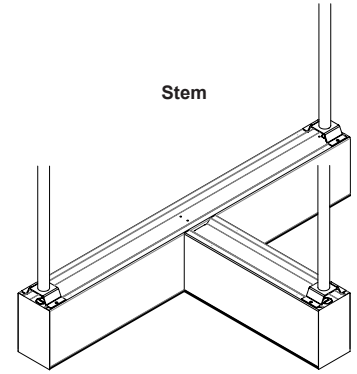
Surface



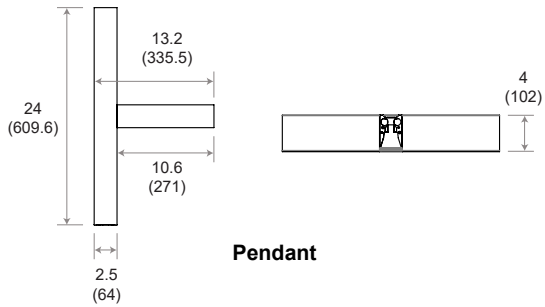
Drywall



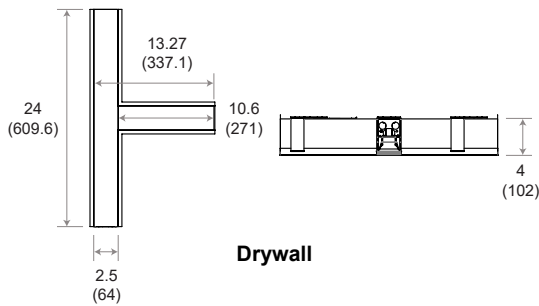
Cable



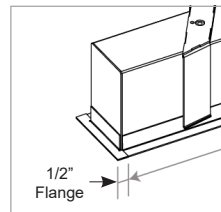
Stem



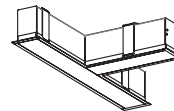
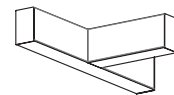
Pendant



Drywall



1/2" Flange



All dimensions are in inches (millimeters).

* Dimensions shown are without flange.

CUBE2-T

COMPATIBLE DIMMER SWITCH (TABLE 1)

Model #	Brand	Compatible Dimmer Switch	
(Blank)	-	<Leviton>	IP710-LFZ
		<Lutron>	Nova: NFTV-dimmer plus PP-DV relay pack(s) Nova T: NTSTV-DV-dimmer Diva: DVTV-dimmer, DVSCTV-dimmer, plus PP-DV, relay pack(s), DVSTV-dimmer, DVSCSTV-dimmer GRAFIK Eye QS: QSGRJ-XP, plus GRX-TVI 0-10V interface GRAFIK Eye QS w/EcoSystem: QSGRJ-XE, QSGR-XE, plus GRX-TVI 0-10V interface PowPak: RMJ-5T
ES566	eldoLED SOLOdrive	<Busch-Jaeger>	2112U-101
		<Jung>	240-10
		<Leviton>	IlumaTech - IP710-DLX
		<Lightoller Controls>	ZP600FAM120
		<Merten>	5729
		<Pass & Seymour>	CD4FB-W
		<Wattstopper>	DCLV1
		<Sensor Switch>	nIO EZ
		<Synergy>	ISD BC
		<ABB>	SD/S 2.16.1
		<Lutron>	Nova T: NTFTV Diva - DVTV-xx, NFTV GRAFIK Eye: GRX-TVI w GRX3503 Energy Savr Node: QSN-4T16-S TVM2 Module
<Crestron>	GLX-DIMFLV8, GLXP-DIMFLV8, GLPAC-DIMFLV4-*, GLPAC-DIMFLV8-*, GLPP-DIMFLVEX-PM, GLPP-1DIMFLV2EX-PM, GLPP-1DIMFLV3EX-PM, DIN-A08, DIN-4DIMFLV4, CLS-EXP-DIMFLV, CLCI-1DIMFLV2EX		
ED560	eldoLED DUALdrive	<Lunatone>	SS-LUNAT PS2 30mA SS-LUNAT Touch or BT SS-LUNAT Comm
LDE1	Lutron 5-Series EcoSystem	<Lutron>	PowPak Dimming Modules: RMJ-ECO32-DV-B, FCJ/FCJS-ECO ^{1,2} Energi Savr Node (120V only): QSN-1ECO-S, QSN-2ECO-S GRAFIK Eye QS/Homeworks QS control unit (120V only): QSGRJ- E(wireless) QSGR- E Quantum Hub (120V only): QP2- _ 2C/4C/6C/8C Homeworks QS/myRoom Plus power module (120V only): LQSE-2ECO-D
PHSR ³	Philips Xitanium Sensor-Ready	<Ilumra>	<u>Single Rocker Self-Powered Light Switch (on/off, dim-up/down)</u> Ilumra# ZBT-S1AWH Digi-Key# 1082-1033-ND <u>Dual Rocker Self-Powered Light Switch (on/off, dim-up/down, scene1,2)</u> Ilumra# ZBT-S2AWH Digi-Key# 1082-1034-ND
DTO	Philips Xitanium Gen.2 Philips Xitanium Sensor-Ready	<Lutron>	Nova T: #NTSTV-DV http://www.lutron.com/TechnicalDocumentLibrary/NovaTB.pdf See page13.
LTEA2W	Lutron Hi-lume 2-wire (120V forward voltage only)	<Lutron>	Visit http://www.lutron.com/TechnicalDocumentLibrary/369543_ENG.pdf for a list of compatible dimmer switches.

NOTES:

1. All devices connected to one FCJ/FCJS-ECO will be controlled together. Devices will dim to the same level as the result of a control command. For more detail on adjusting low-end light level refer to Application Note#556 at www.lutron.com.
2. For the Line/Hot (L/H) terminal on the driver, it is preferred not to use the switched hot (red) wire from the control but rather the hot wire directly from the power source.
3. Recommended for EasySense System.