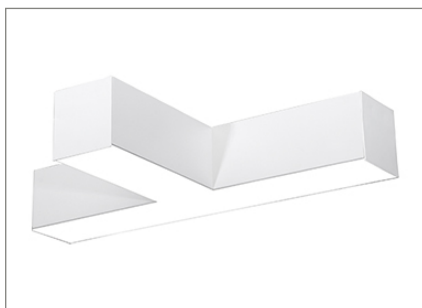


CUBE4-T

Project Name:	
Type:	



APPLICATION

The CUBE4-T creates a design statement for contemporary and traditional architectural interiors. The 90 degree luminaires are decorative and suitable for a multiple of applications like offices, retails, museums and galleries as well as high ceiling application such as lobbies.

FEATURE:

- Housing is formed by cold-rolled steel with a highly reflective die-formed white painted steel reflector.
- The snap-in acrylic lens has a matte finish and a diffuser (.125" thick) which is removable for lamp replacement.

MOUNTING:

- Pendant and drywall mount available.

LED:

- High quality array LEDs.
- LM80
- Color Temperature: 3000/3500/4000/5000 (K)
- Color Rendering Index: > 80 (optional>90).
- Nominal Lamp Life: 100,000 hours.
- Reported L70 hours: +60,000 (55°C).

ELECTRICAL:

- High power factor electronic driver, operate from a 120 ~ 277 Vac input range, 50 / 60 Hz.
- Features included over voltage protection, surge, short circuit protection and over load protection.
- Power Factor: typical > 0.95, THD <20, meets Class1 or Class 2 circuit.
- 0-10V dimmable driver as standard.
- 0-10VDC dimming 1%~100%.
- Operating temperature: -4°F (-20°C) ~ 122°F (50°C).

<ELCU-200>

- Guarantees emergency lighting remains ON or is turned on when power to the control device is lost.
- Interfaces with fire alarm panel or security system.
- "Watchdog" feature allows emergency loads to be controlled in tandem with normal power loads.
- UL listed for use in emergency circuits.

FINISH:

- Standard powder-coat textured white painted finish on exposed trim, consult factory for custom colors.
- Comes with snap-in acrylic lens as standard.

LISTING:

- UL / CUL listed.
- Listed to UL 1598 and UL 8750.
- UL listed for dry & damp location.
- Assembled in USA (optional)
- 5 years limited warranty.
- 7 or 10 years limited warranty. (optional) ⁵
- Bluetooth Mesh System available, please contact factory for more information.

CONFIGURATIONS

Series	Model #	AC Input	Fixture Lumen Output		Lumen Efficiency
CUBE4-T	18L	16.8W	1774 lm (100% Down)		105.5 lm/W
	27L	22.8W	2407.3 lm (100% Down)		105.5 lm/W
	36L	28.8W	3040 lm (100% Down)		105.5 lm/W
	48L	39W	4114 lm (100% Down)		105.5 lm/W
	54L	40.8W	4306 lm (100% Down)		105.5 lm/W
	18L/18L	27W	1662.75 lm (44.8% Down),	2049.75 lm (55.2% Up)	137.5 lm/W
	27L/27L	40W	2389.5 lm (44.8% Down),	2945.25 lm (55.2% Up)	132.6 lm/W
	36L/18L	47.175W	3441.75 lm (59% Down),	2391.75 lm (41% Up)	123.6 lm/W

OUTPUT CURRENT

		Bi-Level		Tri-Level (Default)	
SW1	SW2	Config Range	Default	Config Range	Default
Close	Open	10% - 70%	40%	10% - 70%	30%
Open	Close	10% - 70%	40%	10% - 70%	70%
Close	Close	100%	100%	100%	100%
Open	Open	0%	0%	0%	0%

WEIGHT

Item	lbs	kg
CUBE4-L	17.84	8.09
CUBE4-L-FT	19.49	8.84

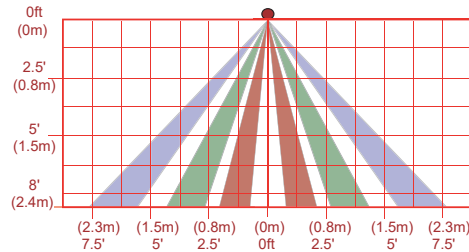
CUBE4-T



Sensor Plate

Lutron Vive Integral
fixture control installation

EasySense
fixture-mount installation



AMS coverage pattern (side view)

* The coverage shown in the diagram is maximum.
AMS is designed to detect small motion when mounted within 6' occupants.


ORDERING INFORMATION


EXAMPLE: CUBE4-T-D27L-30K-UNV-X1-AC48

MODEL	LED Downlight (per/each section)		LED Uplight ¹ (per/each section)		COLOR TEMP.		SEPARATE COLOR TEMP. ¹		CRI	
CUBE4-T	D18L D27L D36L D54L	18W LED 27W LED 36W LED 54W LED	/U18L /U27L	18W LED 27W LED	(Blank) -30K -35K -40K -50K	Leave blank if you wish to have different CCT for up and down, and fill out next section. 3000K 3500K 4000K 5000K	(Blank) DXXYYY	Leave blank if you wish to have different CCT for up and down, and fill out next section. Indicate 27,30,35,40 or 50 for XX and YY (D represents Downlight, U represents Uplight).	(Blank) C9	80+ CRI 90+ CRI ¹⁰
<small>* Maximum wattage per each section - pendant : 56W(up & down light) - recessed mount : 40W(down light) * Contact factory for custom wattage or lumen requirement.</small>										

MOUNTING		VOLTAGE		EM SECTION		FIXTURE FINISH ¹¹		CORD FINISH (for pendant)		CANOPY FINISH (for pendant)	
(Blank) FT	Pendant Standard 1/2" Flange (drywall) ²	UNV 120 277 347	120-277V 120V 277V 347V ¹⁶	(Blank) 1SE	None EM 1 Section	(Blank) *BK *SV **CC *AMB	Matte White RAL #9003 (Std.) Black RAL #9011 Silver (RAL #9022) Custom Color ⁹ Anti-Microbial Coating (Matte Skye White)	(Blank) *BKC	White (Std.) Black	(Blank) *BC *SC **CSS	White (Std.) Black Canopy Silver Canopy Custom Canopy Color (White is Std.)
<small>* Non-standard finish with extra charge. ** Additional charge & set up fee.</small>											

CUBE4-T

CEILING TYPE (for pendant)		SUSPENSION LENGTH (for pendant)		LED DRIVER	
X1	15/16" grid T-bar ceiling	AC48	Adjustable Aircraft Cable Canopy 48"L	(Blank)	0-10V dim to 1% (Std.) (dim both upright and downlight simultaneously)
X2	Hard ceiling	AC96	Adjustable Aircraft Cable Canopy 96"L	UDSD	Separate Dimming Control of Uplight and Downlight (0-10V dim to 1%) ^{8, 15}
X3	Sloped Hard ceiling	ST24	Stem Canopy 24"L	SP	Separate Power Control for Uplight and Downlight
X4	9/16" T-bar ceiling	ST48	Stem Canopy 48"L	ES566	eldoLED SOLDrive Natural Dimming to dark, 0-10V, 100% ~ 0.1% dim
			* Contact factory for custom length.	SD40	40% / 100% Bi-Level Step dim
				SDXX	XX% / 100% Bi-Level Step dim (Specify XX : 10% ~ 70%)
				PHSR	Philips Xitanium Sensor-Ready, Dali 5%~100% dim.
				PHDL	Philips Xitanium DALI driver, Dim to 5%
				ED560	eldoLED LightShape DALI dim to dark, 0.1% ~ 100%
				TDM	Triac Dim. (120V only)
				TD30/70	30% / 70% / 100% Tri-Level Step dim
				TDXX/YY	XX% / YY% / 100% Tri-Level Step dim (Specify XX, YY : 10% ~ 70%)
				LDE1	Hi-lume 1% EcoSystem LED driver with Soft-on, Fade-to-Black dimming technology, 100% ~ 1% dim
				ELV	ELV compatible (reverse-phase or trailing-edge)
				TRIOT	Tridonic IoT ready, 1-100% dim via Smart Module Interface (SMI), automated dimming/lighting controls via Enlighted Sensor Interface
				DTO	0-10V DIM-TO-OFF
				DIMT	Tri-mode dimming (Triac, ELV, 0-10V)
				DMX	DMX512 control system (Only available with RGB+W option)
				DLM	Wattstopper's DLM interface (Only available with RGB+W option)
				LTEA2W	Hi-lume 1% 2-wire LED driver (120V forward phase only) ¹⁹
				 BLT	Bluetooth Mesh System (contact factory for more information)

OPTIONS		LIGHTING CONTROL SYSTEM	
STB	Slip Through Bracket ³	LUTRON VIVE  Click Here! <EasySense> SNS200 EasySense Fixture-mount occupancy sensing, daylight harvesting and task tuning in one device (Must be ordered with PHSR driver) ^{12, 13} RS-IR IR dongle v2.0 for EasySense control <Enlighted> SU-5E Enlighted IoT ready 0-10V Indoor Micro sensor with occupancy/vacancy detection, daylight harvesting, thermal sensing, task tuning, and room and zone control, Bluetooth enabled (Must be ordered with TRIOT) ¹⁴ RS-WS Enlighted Room controller providing basic control functions of a standard wall switch with preset dimming capability	<Lutron Vive System Enabled>
EMG8	1296 LUMEN EM Battery Backup (CEC Compliant EM) ¹⁸		
EMG15	2430 LUMEN EM Battery Backup (CEC Compliant EM) ¹⁸		
EMG20	3240 LUMEN EM Battery Backup (CEC Compliant EM) ¹⁸		
EMC	CEC compliant EM ⁴		
GTD	Bodine Generator Transfer Device		
GTD10DIM	Bodine Generator Transfer Device (0-10VDC Dimmer Override)		
GLR	Fast Blow Fuse ¹⁷		
GMF	Slow Blow Fuse ¹⁷		
ARRA	Assembled in USA for Buy American Act		
O7W	Optional 7 Years Limited Warranty ⁵		
O10W	Optional 10 Years Limited Warranty ⁵		
AMS	Occupancy Sensor w/ Daylight Harvesting ⁶		
DPMS	Daylight Dimming Photo Sensor (0-10 VDC Control), (LSR-301-S required) ²⁰		
SO	Dimming Wires connected to Sensor Only ⁷		
LSR-301-S	Setup Remote Control for DPMS (Required for DPMS)		
LSR-301-P	Occupant Remote Control for DPMS		
E1F	End feed on one end (Pre-drilled hole for 1/2" fitting)		
E2F	End feed on both ends (Pre-drilled holes for 1/2" fitting)		

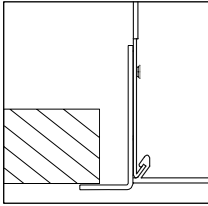
NOTES:

- Pendant only.
- Requires # STB as standard.
- Standard with "FT" mounting.
- Check with factory for more details.
- This limited warranty covers electrical parts only and does not apply to labor, equipment lease, or defect from improper installation or operation.
- The standard will be ON/OFF sensor with dimming wires provided for dimmer switch. For sensor dimming control, please select additional "SO" option.
- Dimming wires provided and connected to sensor only, not for dimmer switch. (available with AMS and DPMS option)
- For separate dimming control, please be advised it may not be available when EM battery backup is added due to limited space. Please contact us for more information.
- Refer to color charts (RAL and/or Cardinal) in the separate attachment.
- Lumen per watt is around 15% less than standard CRI (80+).
- Cord is available in white or black. (Black is not available for the EM option)
- See NFC and IR manual in the separate attachment. If your phone is not compatible, please order "RS-IR" and follow the manual.
- Refer to Advanced Grouping Datasheet for its default setting and compatible wireless switches.
- "RS-WS" option can be added if wish to have a wall switch, please see Enlighted Room Controller in the separate attachment.
- Can have up to 2 power feeds depending on the configuration.
- 347V cannot work with Emergency Battery Backup.
- Must specify voltage, not available with 347V.
- Contact factory for other emergency ballast options.
- Not available with any 1ft individual configuration due to space limitations.
- Automatic on/off is not available. For automatic on/off, additional occupancy sensor is required or a manual on/off switch can be done.

CUBE4-T

- INACCESSIBLE CEILING MOUNTING

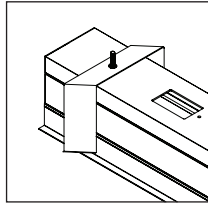
Flange Detail



Exposed Flange Detail:
Specify FT in part #

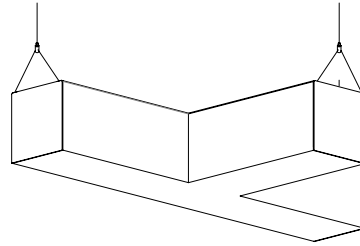
- SPECIALTY MOUNTS

Rotating Crossbar

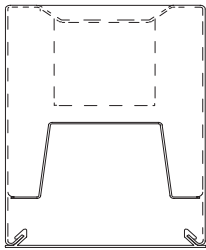


Unavailable Structure Support:
Specify STB in part #

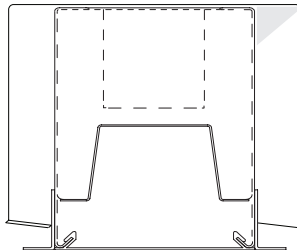
Cable



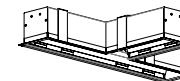
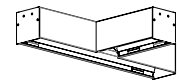
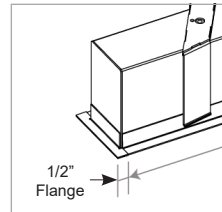
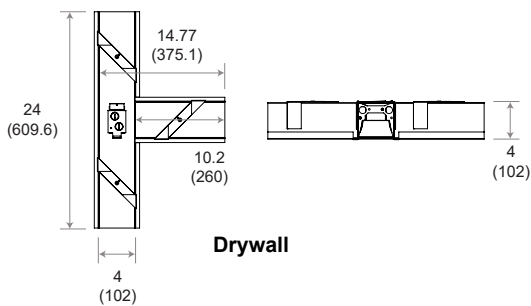
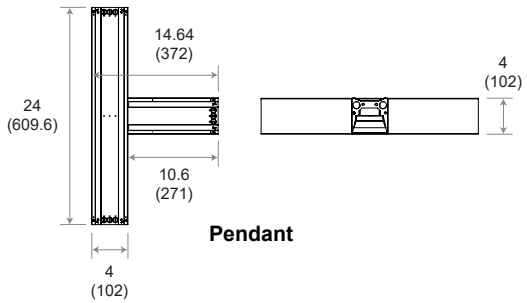
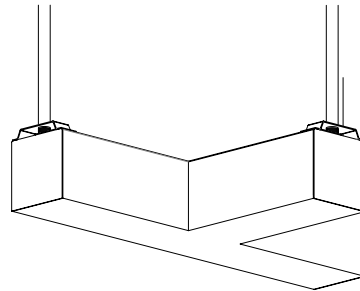
Surface



Drywall



Stem



All dimensions are in inches (millimeters).

* Dimensions shown are without flange.

CUBE4-T

COMPATIBLE DIMMER SWITCH (TABLE 1)

Model #	Brand	Compatible Dimmer Switch	
(Blank)	-	<Leviton>	IP710-LFZ
		<Lutron>	Nova: NFTV-dimmer plus PP-DV relay pack(s) Nova T: NTSTV-DV-dimmer Diva: DVTV-dimmer, DVSCSTV-dimmer, plus PP-DV, relay pack(s), DVSTV-dimmer, DVSCSTV-dimmer GRAFIK Eye QS: QSGRJ-XP, plus GRX-TVI 0-10V interface GRAFIK Eye QS w/EcoSystem: QSGRJ-XE, QSGR-XE, plus GRX-TVI 0-10V interface PowPak: RMJ-5T
ES566	eldoLED SOLOdrive	<Busch-Jaeger>	2112U-101
		<Jung>	240-10
		<Leviton>	IlumaTech - IP710-DLX
		<Lightoller Controls>	ZP600FAM120
		<Merten>	5729
		<Pass & Seymour>	CD4FB-W
		<Wattstopper>	DCLV1
		<Sensor Switch>	nIO EZ
		<Synergy>	ISD BC
		<ABB>	SD/S 2.16.1
		<Lutron>	Nova T: NTFTV Diva - DVTV-xx, NFTV GRAFIK Eye: GRX-TVI w GRX3503 Energy Savr Node: QSN-4T16-S TVM2 Module
<Crestron>	GLX-DIMFLV8, GLXP-DIMFLV8, GLPAC-DIMFLV4-*, GLPAC-DIMFLV8-*, GLPP-DIMFLVEX-PM, GLPP-1DIMFLV2EX-PM, GLPP-1DIMFLV3EX-PM, DIN-A08, DIN-4DIMFLV4, CLS-EXP-DIMFLV, CLCI-1DIMFLV2EX		
ED560	eldoLED DUALdrive	<Lunatone>	SS-LUNAT PS2 30mA SS-LUNAT Touch or BT SS-LUNAT Comm
LDE1	Lutron 5-Series EcoSystem	<Lutron>	PowPak Dimming Modules: RMJ-ECO32-DV-B, FCJ/FCJS-ECO ^{1,2} Energi Savr Node (120V only): QSN-1ECO-S, QSN-2ECO-S GRAFIK Eye QS/Homeworks QS control unit (120V only): QSGRJ-_E(wireless) QSGR-_E Quantum Hub (120V only): QP2-_2C/4C/6C/8C Homeworks QS/myRoom Plus power module (120V only): LQSE-2ECO-D
PHSR ³	Philips Xitanium Sensor-Ready	<Ilumra>	<u>Single Rocker Self-Powered Light Switch (on/off, dim-up/down)</u> Ilumra# ZBT-S1AWH Digi-Key# 1082-1033-ND <u>Dual Rocker Self-Powered Light Switch (on/off, dim-up/down, scene1,2)</u> Ilumra# ZBT-S2AWH Digi-Key# 1082-1034-ND
DTO	Philips Xitanium Gen.2 Philips Xitanium Sensor-Ready	<Lutron>	Nova T: #NTSTV-DV http://www.lutron.com/TechnicalDocumentLibrary/NovaTB.pdf See page13.
LTEA2W	Lutron Hi-lume 2-wire (120V forward voltage only)	<Lutron>	Visit http://www.lutron.com/TechnicalDocumentLibrary/369543_ENG.pdf for a list of compatible dimmer switches.

NOTES:

- All devices connected to one FCJ/FCJS-ECO will be controlled together. Devices will dim to the same level as the result of a control command.
For more detail on adjusting low-end light level refer to Application Note#556 at www.lutron.com.
- For the Line/Hot (L/H) terminal on the driver, it is preferred not to use the switched hot (red) wire from the control but rather the hot wire directly from the power source.
- Recommended for EasySense System.