

DWP2-2G

Project Name:	
Type:	



APPLICATION

The full-cutoff polycarbonate optical lens with UV stabilizers lens LED wall pack is ideal for security, pathway and perimeter lighting, and building entryways and walkways.

FEATURES:

- Tempered UV coated flat lens provides outstanding performance, uniformity and glare control.
- Sealed die-casting profile for indoor and outdoor.
- Housing with 3 pieces of 1/2" threaded hole for easier wireconnections.
- Dark bronze finish is standard.

MOUNTING:

- Wall mounting only.
- Suitable for junction box mounting and surface mounting.

LED:

- Lumileds 3030 LED chips.
- Color temperature: 4000/5000 (K)
- Lumen efficiency: ≥ 140 lm/W
- Color rendering index: >70
- Life span: 50,000 hrs

ELECTRICAL:

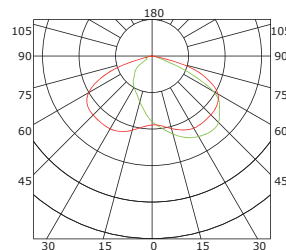
- 0-10V dimmable.
- Input voltage: 120-277Vac., 50/60Hz
- Operating temperature: -40°C to 45°C (-40°F to 113°F)
- Surge protection: Line-Line 1kV, Line-Earch 2kV
- Optional: photocell, Bi-level occupancy sensor.
- UL 1310 listed.
- Power Factor: >0.9

LISTING:

- DLC premium listed. ¹
- UL listed.
- Listed to UL 1598 and UL 8750.
- Suitable for wet location.
- 5 years limited warranty.
- ARRA compliant. (optional)

CONFIGURATIONS

Series	LED	Lumen Output (4000K)	Lumen Efficiency	Lumen Output (5000K)	Lumen Efficiency
DWP2-2G	27LED	3700 lm	137 lm/W	3750 lm	139 lm/W
	45LED	6400 lm	142 lm/W	6450 lm	143 lm/W
	70LED	9800 lm	140 lm/W	9900 lm	141 lm/W
	90LED	12000 lm	133 lm/W	12200 lm	136 lm/W
	135LED	18000 lm	133 lm/W	18000 lm	133 lm/W



ORDERING INFORMATION

EXAMPLE: DWP2-2G-45LED-40K-UNV-BZ

MODEL	LED	COLOR TEMP.	VOLTAGE	FINISH
DWP2-2G	27LED 27W LED ⁴ 45LED 45W LED 70LED 70W LED 90LED 90W LED 135LED 135W LED	-40K 4000K -50K 5000K	UNV 120-277V	BZ Dark Bronze RAL#8019 (Std.) <small>* Available custom color (RAL). Please provide us with the RAL number. * Non-standard finish with extra charge.</small>

OPTIONS	
PC3	Photocell
BRI-xx	Bi-level occupancy sensor with daylight, 0-10V, adjustable via DIP switch. "xx" for lens type; L1 or L2 ⁵
RC-100	Remote control for the BRI sensor
EMG8W	8W EM Battery Backup (CEC Compliant EM) ³
O7W	Optional 7 Years Limited Warranty ²
BG	Bird Guard, Stainless Steel Spikes
ARRA	Assembled in USA for Buy American act

NOTES:

1. DesignLights Consortium (DLC) qualified product. Not all versions of this product may be DLC qualified. Please check the DLC Qualified Products List at www.designlights.org/QPL to confirm which versions are qualified.
2. This limited warranty covers electrical parts only and does not apply to labor, equipment lease, or defect from improper installation or operation.
3. Not available with 135LED.
4. Only available in 5000K.
5. L1: Max 25ft mounting height
L2: Max 40ft mounting height

DWP2-2G

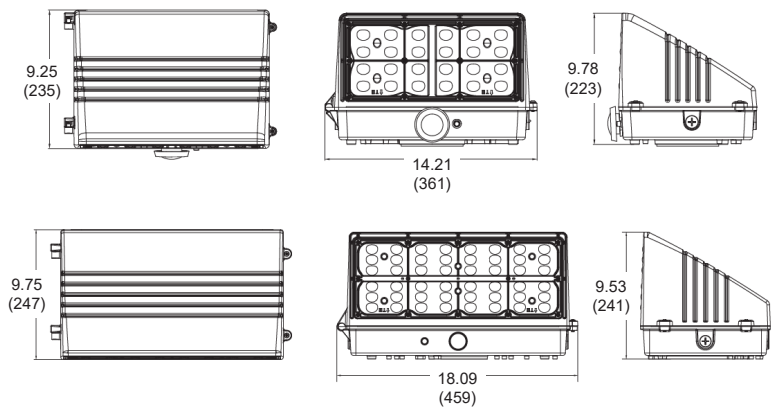


Medium Size (27W, 45W, 70W)

Weight
27W: 5.77lb (2.6 kg)
45W: 6.93lb (3.1 kg)
70W: 7.14lb (3.2 kg)

Large Size (90W, 135W)

Weight
90W: 10.72lb (4.8 kg)
135W: 11.19lb (5.0 kg)



* All dimensions are in inches (millimeters).