

MWP1-2G

Project Name:	
Type:	



APPLICATION

Cast in a traditional design, the LED wall mount luminaire offers the shape you've grown accustomed to coupled with the high-powered and energyefficient LEDs you want. Photo cell for dusk to dawn operation. It is ideal for safety, security and any facilities.

FEATURES:

- Sealed die-casting profile for indoor and outdoor applications.
- Standard photocell for dusk to dawn operation which is ideal for safety, security and facilities.

MOUNTING:

- Surface wall mount.

LED:

- LM79, LM80 Compliant.
- Estimated 100,000-hour LED lifespan based on IES LM-80 results and TM-21 calculations.
- Lumen Maintenance L70 greater than 54,000 hours IESNA TM-21.
- Scalable Lumen Packages from 1600 - 2700 lm.
- Replacing 50-70W Metal Halide.
- Color temperature: 4000 / 5000K(Std.)
- CRI +70

ELECTRICAL:

- Power factor >90%, THD <20%, and an expected life of 50,000 hours.
- Universal 120-277 VAC input voltage.
- Operating temperature: -40°C to 40°C (-40°F to 104°F)

LISTING:

- Listed to UL 1598 and UL 8750.
- UL / cUL wet location listed.
- 5 years warranty.
- ARRA compliant. (optional)

CONFIGURATIONS

Series	LED	LENS	Lumen Output (4000K)	Lumen Efficiency	Lumen Output (5000K)	Lumen Efficiency	Weight
MWP1-2G	17W	Clear Lens	1900 lm	112 lm/W	1950 lm	115 lm/W	1.7lb / 0.8 kg
	25W	Clear Lens	2550 lm	102 lm/W	2600 lm	104 lm/W	1.85lb / 0.84 kg

ORDERING INFORMATION

EXAMPLE: MWP1-2G-17LED-UNV-50K-D

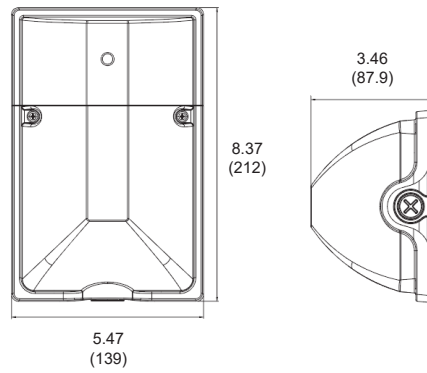
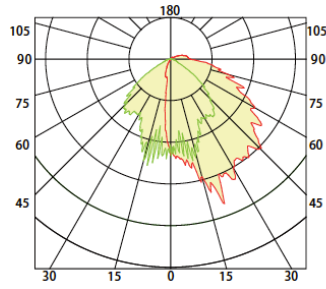
MODEL	LED	VOLTAGE	COLOR TEMP.	FINISH	OPTIONS
MWP1-2G	17LED 25LED	UNV 120-277V (Std.)	-50K -40K 5000K (Std.) 4000K	D Dark Bronze (Std.)	(Blank) ARRA 120-277V Photocell Assembled in USA for Buy American act

DIFFUSER		PHOTOCELL	
(Blank)	Clear Diffuser	(Blank)	Photocell Installed

MWP1-2G



Clear Lens



All dimensions are in inches (millimeters).