

LMW

Project Name:	
Type:	



APPLICATION

Die cast aluminum housing with a durable powder coat finish, the LED mini wall pack offers long term resistance to harsh weather conditions. Ideal for general exterior such as walkways, landscaping, building lighting, doorway, pathways and parking areas, residential areas, and balcony.

FEATURES:

- High pressure die-cast aluminum housing.
- Without any hazardous material in fixture.
- Surface electrostatic treatment with generous appearance provides shock & corrosion resistance.
- Replace up to 35W pulse start Metal Halide lamp.

LENS:

- The optic is made with high strength engineering plastic with high performance of light transmitting and protection.
- Professional designed optic provides high output of light efficiency.
- Distribution: Type2

MOUNTING:

- Wall mount.

LED:

- CREE LED
- Color Temperature: 4000/5000K
- CRI: >70
- L70 ≥ 50,000 hours
- Lumen efficiency: 66.8lm/W

ELECTRICAL:

- Non-dim is standard.
- 120-277V, 50/60Hz
- Power Factor ≥ 0.95
- Operating temperature: -4°F to 113°F (-20°C to 45°C)

LISTING:

- ETL listed.
- 5 years limited warranty.

CONFIGURATIONS

Series	Model#	AC INPUT	Lumen Output (5000K)	Lumen Efficiency (5000K)
LMW	12LED	10.9W	729lm	66.8 lm/W

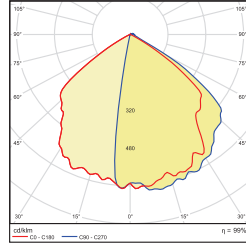
ORDERING INFORMATION

EXAMPLE: LMW-12LED-50K-T2-UNV-BZ

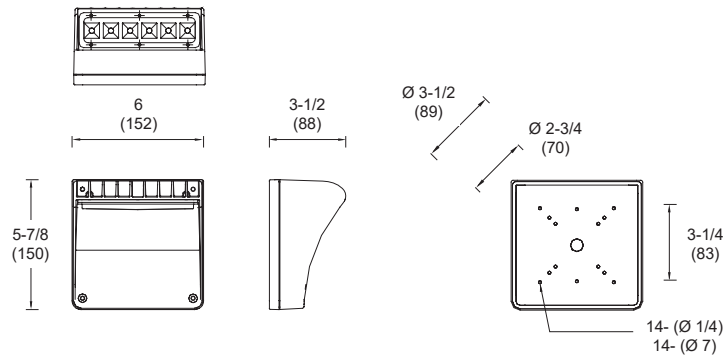
MODEL	LED		COLOR TEMP.		DISTRIBUTION		VOLTAGE		LED DRIVER		FINISH	
LMW	12LED	12W LED	-40K -50K	4000K 5000K (Std.)	T2	Type II	UNV	120-277V	(Blank)	Non-dimmable	BZ	Bronze (RAL#8019)

OPTIONS	
PC3	With Photocell - Button Type 120/277V

LMW



TYPE II



* All dimensions are in inches (millimeters).