

# UDL8

**DISCONTINUED  
LIMITED STOCK AVAILABLE**



**APPLICATION**

This LED wall pack is ideal for both commercial and residential applications with wall mounting. Use on factories, warehouses, self storage, commercial buildings, entrances, walkways and loading.

Project Name:	
Type:	

**FEATURES:**

- Die-cast aluminum housing with rubber gasket on back plate.
- Dark bronze finish is standard.
- Solid state lighting technology for long life, low maintenance, and high efficiency.

**MOUNTING:**

- Wall mounting: direct junction box mounting.

**LED:**

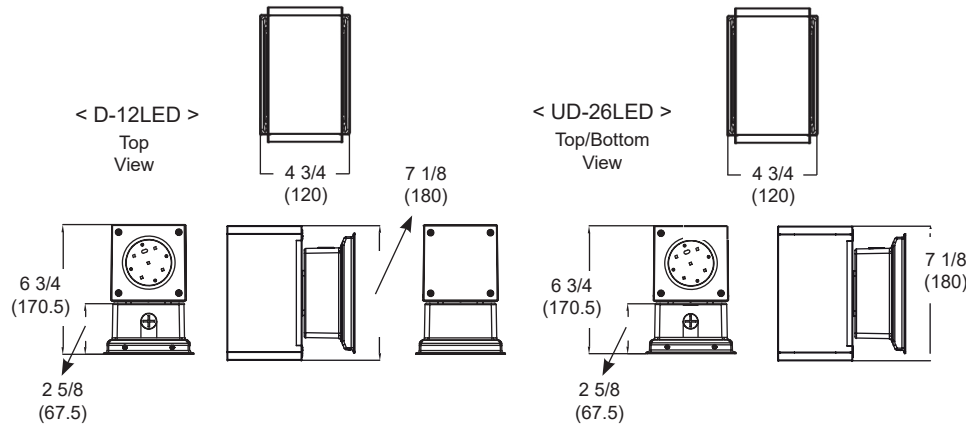
- D-12 LED : CREE LED Chip, 5 or 8 LEDs. (950lm)
- UD-26 LED : CREE LED Chip, 10 LEDs. (1570lm)
- Color temperature: 5000K.
- +70 CRI, 140° Beam Angle.
- 50,000 hours.

**ELECTRICAL:**

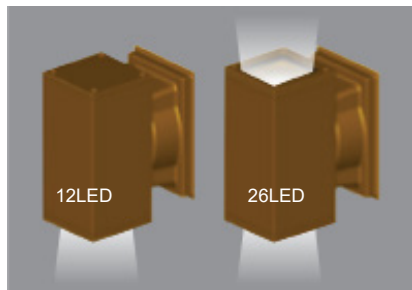
- High power factor electronic driver, operate from a 100 ~ 277V AC input range, 50/ 60Hz.
- Power factor: over 0.91.
- Operating temperatures range: -4°F (-20°C) ~ 104°F (40°C).
- Output Current Amps: 700mA.
- Driver efficiency: 87%

**LISTING:**

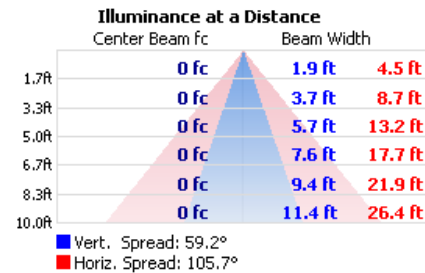
- UL/CUL listed.
- Listed to UL 1598 and UL 8750.
- Suitable for wet location.
- 5 years limited warranty.



*Specifications: UDL8*  
Weight: 6.37 lbs (2.89 kg)



**UDL8-UD-26LED**



# UDL8

**ORDERING INFORMATION**

*EXAMPLE: UDL8-D-12LED-50K-UNV-BZ*

MODEL	LED		COLOR TEMP.		VOLTAGE		FINISH	
UDL8	D-12LED UD-26LED	12W Input Power LEDs (Down only) 26W Input Power LEDs (Up-Down)	-50K	5000K (Std.)	UNV	120-277V (Std.)	BZ	Dark Bronze (Std.)
<small>* Available custom color (RAL) Please provide us with the RAL number. * Non-standard finish with extra charge.</small>								