

MFL2 GLED MFL2L GLED

Project Name:	
Type:	



APPLICATION

Heavy duty die-cast aluminum housing, arm mount and horizontal lamp unit. Modular design LED and aluminum reflector allows for ease of maintenance. Use on building facades, walkways, drive ways, tennis courts, parking lots, commercial and industrial complexes. As well as general safety and security lighting.

FEATURES:

- Heavy duty die-cast aluminum housing and door frame. Housing is dark bronze polyester powder paint finish standard.
- Aluminum reflector, Silicone rubber gasket between backplate and front cover for wet locations.
- Heat and impact resistant tempered clear glass lens is fully gasket.

MOUNTING:

- Provided with a standard heavy-duty adjustable slip fitter mount for both pole and wall mount. Optional TR (yoke mount) and WTR (wide yoke mount). Wall mount bracket available.

LED:

- High efficient LED modules, components are products of Samsung LEDs. (G2LED: Cree LED)
- 5000K color temperature standard.
- Color Rendering Index: 82+ Ra.
- Input Voltage: 24Vdc
- 60°/120° Beam Angle.
- 50,000 hours.

ELECTRICAL:

- High power factor electronic driver, operate from a 90 ~ 305 Vac input range, 50 / 60 Hz.
- Features include over voltage protection, surge, short circuit protection and over load protection.
- All-Round Protection: OVP, SCP, OTP.
- Class 2 and SELV
- Power Factor: typical > 0.92
- Optional 1-10V dimmable driver. (Dimmer supplied by others)
- Operating temperature: -22°F (-30°C) ~ 122°F (50°C).
- UL8750, UL1012, UL1310 Class 2, CSA-C22.2 No. 107.1, CSA C22.2 NO. 223-M91 Class 2

LISTING:

- UL/ CUL listed.
- Listed to UL 1598 and UL 8750.
- DLC listed.
- (Available only with MFL2-80GLED) ⁸
- RoHS.
- Tested to IESNA LM80 standards.
- Suitable for wet locations.
- 5 years limited warranty.
- 7 or 10 years limited warranty. (optional) ¹⁰
- ARRA compliant.

SPECIFICATION

	GLED	Input Watts	Color Temp.	Lumen Output	Driver input AC Voltage	Driver Output Current
MFL2	40 LEDs	43W	5000k (Std.)	3942	90-305Vac	1.9 A
	60 LEDs	63W	5000k (Std.)	5775	90-305Vac	2.5 A
	80 LEDs	83W	5000k (Std.)	7609	90-305Vac	3.4 A
	90 LEDs	93W	5000k (Std.)	8524	90-305Vac	4.0 A
	100 LEDs	100W	5000k (Std.)	10834	90-305Vac	2.1 A
	120 LEDs	123W	5000k (Std.)	11274	90-305Vac	2.0 A
MFL2L	150 LEDs	150W	5000k (Std.)	16197	90-305Vac	3.1 A
	200 LEDs	200W	5000k (Std.)	21563	90-305Vac	4.1 A
	250 LEDs	250W	5000k (Std.)	26820	90-305Vac	5.1 A

LED Driver: Non-dimmable driver standard, optional dimmable driver 1-10V

Lighting Facts
A Program of the U.S. DOE

Light Output (Lumens) **16730**
Watts **151.4**
Lumens per Watt (Efficacy) **110.5**

Color Accuracy
Color Rendering Index (CRI) **83**

Light Color
Correlated Color Temperature (CCT) **5724 (Daylight)**

Warranty** **Yes**

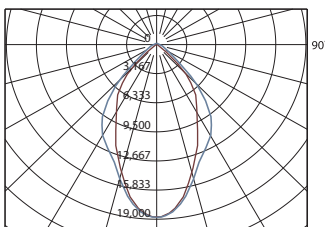
All results, except LED Lumen Maintenance, are according to IESNA LM-79-2008 Approved Method for the Electrical and Photometric Testing of Solid-State Lighting. The U.S. Department of Energy (DOE) verifies product test data and results.

** See www.lightingfacts.com/products for details.

Registration Number: ZND-TV8E4W (03/2017)
Model Number: MFL2-150GLED
Type: Luminaire - Area/Trackway

Distribution Data (MFL2L-200GLED)

Polar Candela Distribution

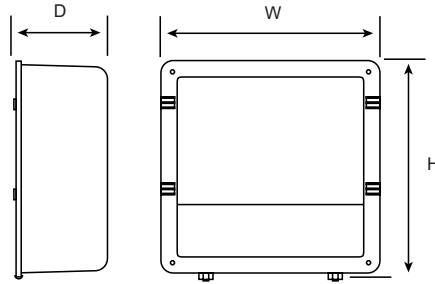


Illuminance at a Distance

	Center Beam fc	Beam Width	
4.0ft	1,176.2 fc	6.1 fc	4.2 fc
8.0ft	294.0 fc	12.2 fc	8.4 fc
12.0ft	130.7 fc	18.3 fc	12.6 fc
16.0ft	73.5 fc	24.5 fc	16.8 fc
20.0ft	47.0 fc	30.6 fc	21.0 fc
24.0ft	32.7 fc	36.7 fc	25.2 fc

Vert. Spread: 74.8°
Horiz. Spread: 55.3°

LED LARGE FLOOD LIGHT



Specifications: MFL2

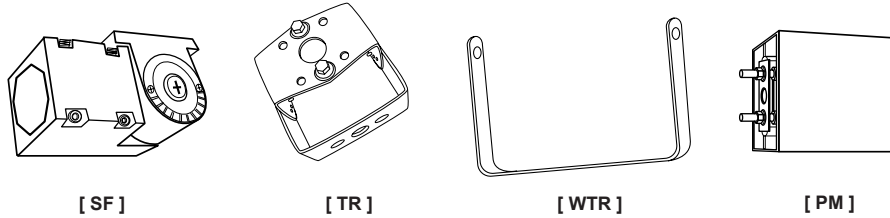
Height: 16-1/2 (415)
 Width: 16-1/2 (415)
 Depth: 6 7/8 (175)
 Weight: 25.78 lbs (11.69 kg)

Specifications: MFL2L

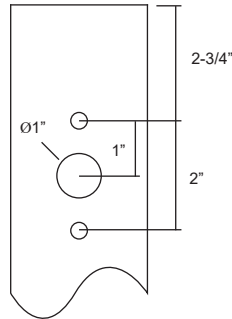
Height: 23-3/4 (603)
 Width: 23-5/8 (600)
 Depth: 10-1/16 (256)
 Weight: 50.67 lbs (22.98 kg)

All dimensions are in inches (millimeters).

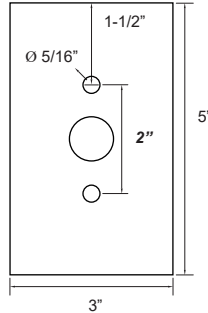
MOUNTING OPTIONS



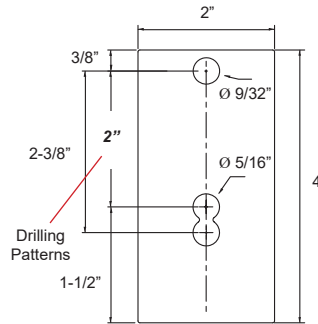
Top of Pole



PM DRILLING PATTERN



PM10



PM6, PM8

ORDERING INFORMATION

EXAMPLE: MFL2-80G2LED-50K-UNV-SF-BZ

MODEL	LED	COLOR TEMP.	DISTRIBUTION	VOLTAGE	MOUNTING ARM
MFL2 ¹	40GLED	40W LED	(Blank) Wide (Std.)	UNV 120-277V (Std.) 347 347V 480 480V	SF Slip Fitter Mount (Std.)
	60GLED	60W LED			TR Yoke Mount
	80G2LED	80W LED			WTR Wide Yoke Mount
	90GLED	90W LED			PM6R 6" Long Round Pole Mount Arm ⁴
	100G5LED	100W LED			PM6S 6" Long Square Pole Mount Arm ⁴
	120G2LED	120W LED			PM8R 8" Long Round Pole Mount Arm ⁴
MFL2L ²	150G5LED	150W LED	PM8S 8" Long Square Pole Mount Arm ⁴		
	200G5LED	200W LED	PM10R 10" Long Round Pole Mount Arm ^{5,6}		
	250G5LED	250W LED	PM10S 10" Long Square Pole Mount Arm ⁵		

FINISH	OPTIONS
BZ Dark Bronze (Std.) <small>* Available custom color (RAL) Please provide us with the RAL number. * Non-standard finish with extra charge.</small>	F1 Single Fuse (120V, 277V, 347V must specify voltage) F2 Double Fuse (208V, 240V, 480V must specify voltage) TLPC Twist-Lock Receptacle Photocell, must specify voltage VS Visor Shield EM 10W EM Battery Backup (32°F-131°F, 0°C-55°C) ⁷ EMCW 10W EM Battery Backup for cold weather (-4°F-131°F, -20°C-55°C) ⁷
	EMC CEC compliant EM ⁹ DM Dimming, 1-10V DIM (10-100%) O7W Optional 7 Years Limited Warranty ¹⁰ O10W Optional 10 Years Limited Warranty ¹⁰ BG Bird Guard, Stainless Steel Spikes

NOTES:

- For 150W maximum.
- For 250W maximum.
- Not available with GLED.
- Able to use with single head (DM19) or double head (DM218) only. For consult the pole mounting option.
- 10" arm required when two or more luminaires are oriented on a 90° drilling pattern.
- 2 or 4pcs in 90 degree installation on 4" round pole is not available.
- Must specify voltage, not available with 347V/480V.
- DesignLights Consortium® (DLC) qualified product. Not all versions of this product may be DLC qualified. Please check the DLC Qualified Products List at www.designlights.org/QPL to confirm which versions are qualified.
- Check with factory for more details.
- This limited warranty covers electrical parts only and does not apply to labor, equipment lease, or defect from improper installation or operation.