

MFL3 GLED

Project Name:	
Type:	



APPLICATION

Heavy duty die-cast aluminum housing, arm mount and vertical lamp unit. Modular design LED and aluminum reflector allows for ease of maintenance. Use on walkways, parking areas and street lighting.

FEATURES:

- Heavy duty rugged one-piece die-cast aluminum housing and door frame. Housing is dark bronze polyester powder paint finish standard.
- Silicone gasket provides weatherproof seal between housing and frame.
- Heat and impact resistant tempered clear glass lens.

MOUNTING:

- Provided with a standard heavy-duty adjustable slip fitter mount (SF) or yoke mount (TR) for both ground and wall mount.
- Available 6" long aluminum arm for square pole mounting (PM).

LED:

- High efficient LED modules, components are products of Samsung LEDs.
- 5000K color temperature standard.
- Color Rendering Index: 82+ Ra.
- Input Voltage: 24Vdc
- 60°/120° Beam Angle.
- 50,000 hours.

ELECTRICAL:

- High power factor electronic driver, operate from a 90 ~ 305 Vac input range, 50 / 60 Hz.
- Features include over voltage protection, surge, short circuit protection and over load protection.
- All-Round Protection: OVP, SCP, OTP.
- Class 2 and SELV
- Power Factor: typical > 0.92
- Optional 1-10V dimmable driver. (Dimmer supplied by others)
- Operating temperature: -22°F (-30°C) ~ 122°F (50°C).
- UL8750, UL1012, UL1310 Class 2, CSA-C22.2 No. 107.1, CSA C22.2 NO. 223-M91 Class 2

LISTING:

- UL/ CUL listed.
- Listed to UL 1598 and UL 8750.
- RoHS.
- Tested to IESNA LM80 standards.
- Suitable for wet locations.
- 5 years limited warranty.
- ARRA compliant.

SPECIFICATION

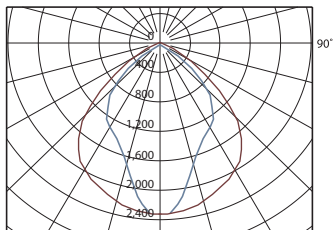
	GLED	System Wattage ¹	Color Temp.	Lumen (94.6 lm/W) ¹	Driver input AC Voltage	Driver Output Current ¹
MFL3	30 LEDs	30W	5000k (Std.)	2838	90-305Vac	350 mA
	40 LEDs	40W	5000k (Std.)	3784	90-305Vac	350 mA
	50 LEDs	50W	5000k (Std.)	4730	90-305Vac	1.0 A
	60 LEDs	60W	5000K (Std.)	5676	90-305Vac	1.0 A

1. Nominal

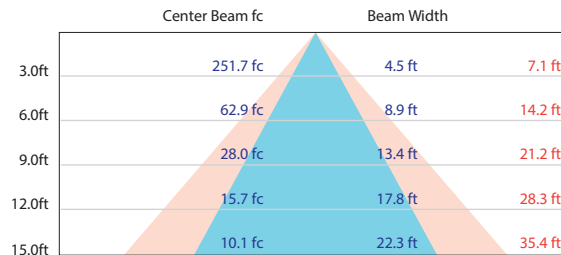
LED Driver: Non-dimmable driver standard, optional dimmable driver 1-10V

Distribution Data (MFL3-40LED-50-UNV-BZ)

Polar Candela Distribution

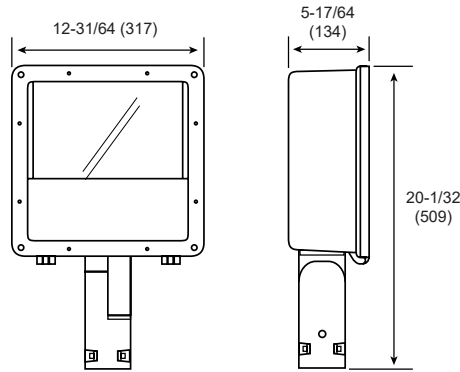


Illuminance at a Distance



Vert. Spread: 73.2°
 Horiz. Spread: 99.4°

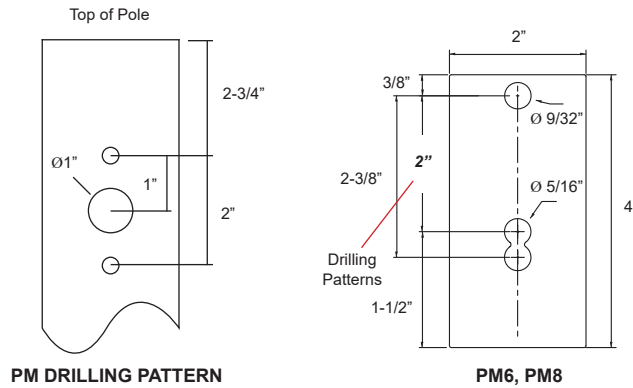
MFL3 GLED



Specifications: MFL3

Height: 17-13/16 (452)
 Width: 12-31/64 (317)
 Depth: 5-17/64 (134)
 Weight: 15.21 lbs (6.9 kg)

All dimensions are in inches (millimeters).



ORDERING INFORMATION

EXAMPLE: MFL3-40GLED-50K-UNV-TR-BZ

MODEL	LED		COLOR TEMP.		DISTRIBUTION		VOLTAGE		MOUNTING	
MFL3	30GLED 40GLED 50G5LED 60G2LED	30W LED 40W LED 50W LED 60W LED	-35K -40K -50K	3500K ² 4000K ² 5000K (Std.)	(Blank)	Wide (Std.)	UNV	120-277V (Std.)	TR SF PM6	Yoke Mount (Std.) Slip Fitter Mount 6" Mount Arm

FINISH		OPTIONS			
BZ	Dark Bronze (Std.)	F1	Single Fuse (120, 277 or 347V only) ¹	EM	10W EM Battery Backup (32°F~131°F, 0°C~55°C) ³
		F2	Double Fuse (208, 240 or 480V only) ¹	EMCW	10W EM Battery Backup for cold weather (-4°F~131°F, -20°C~55°C) ³
		TLPC1	Twist-Lock Receptacle Photocell 120V	EMC	CEC compliant EM ⁴
		TLPC2	Twist-Lock Receptacle Photocell 277V	BG	Bird Guard, Stainless Steel Spikes
		HVS	House Visor Shield		
		DM	Dimming, 1-10V DIM (10-100%)		
		WM2	Wall Mount Bracket 4" straight for SF (102 x 97mm, tenon OD: Ø 60mm)		
		WM3	Wall Mount Bracket 6" x 8" angle for SF (102 x 97mm, tenon OD: Ø 60mm)		

- NOTES:
 1. Must specify voltage.
 2. Not available with GLED.
 3. Must specify voltage.
 4. Check with factory for more details.