

# MFL5 GLED

Project Name:	
Type:	



### APPLICATION

Heavy duty die-cast aluminum housing, arm mount and horizontal lamp unit. Modular design LED and aluminum reflector allows for ease of maintenance. Large light design for walkways, parking lots, street lighting and drive ways. For other general applications where lighting may come into use.

### FEATURES:

- Preformed aluminum housing and door frame. Housing is dark bronze polyester powder coat paint finish standard.
- Rubber gasket included to prevent dirt or moisture from outside.
- Anodized specular aluminum reflector with high efficiency, heat and impact resistant clear tempered glass lens.
- EPA : 3.1716 sqft

### MOUNTING:

- Provided aluminum arm for square pole mounting or round pole mounting. Wall mount bracket available.

### LED:

- High efficient LED modules, components are products of Samsung LEDs.
- High safety with complete waterproof and thermal emission of LED Module. IP67 rated.
- 5000K color temperature standard.
- Color Rendering Index: 82+ Ra.
- Input Voltage: 24Vdc
- 60°/120° Beam Angle.
- 50,000 hours.

### ELECTRICAL:

- High power factor electronic driver, operate from a 90 ~ 305 Vac input range, 50 / 60 Hz.
- Features include over voltage protection, surge, short circuit protection and over load protection.
- All-Round Protection: OVP, SCP, OTP.
- Class 2 (60W & 90W only) and SELV.
- Power Factor: typical > 0.92
- Optional 1-10V dimmable driver. (Dimmer supplied by others)
- Operating temperature: -22°F (-30°C) ~ 122°F (50°C).
- UL8750, UL1012, UL1310 Class 2, CSA-C22.2 No. 107.1, CSA C22.2 NO. 223-M91 Class 2

### LISTING:

- UL/ CUL listed.
- Listed to UL 1598 and UL 8750.
- RoHS.
- Tested to IESNA LM80 standards.
- Suitable for wet locations.
- 5 years limited warranty.
- 7 or 10 years limited warranty. (optional) <sup>5</sup>
- ARRA compliant.

### SPECIFICATION

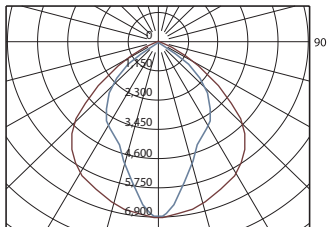
	GLED	System Wattage <sup>1</sup>	Color Temp.	Lumen (125.9 lm/W) <sup>1</sup>	Driver input AC Voltage	Driver Output Current <sup>1</sup>
MFL5	90 LEDs	90W	5000k (Std.)	11331	90-305Vac	350 mA
	100 LEDs	100W	5000k (Std.)	12590	90-305Vac	2.1 A
	120 LEDs	120W	5000k (Std.)	15108	90-305Vac	350 mA
	150 LEDs	150W	5000k (Std.)	18885	90-305Vac	3.1 A

1. Nominal

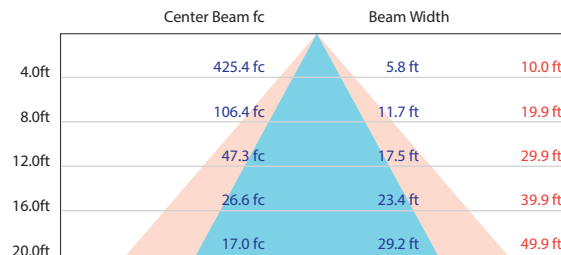
LED Driver: Non-dimmable driver standard, optional dimmable driver 1-10V

### Distribution Data (MFL5-120GLED-50-W)

#### Polar Candela Distribution

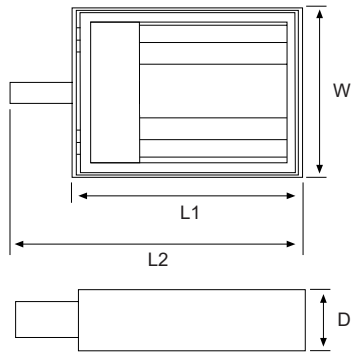


#### Illuminance at a Distance



Vert. Spread: 72.2°  
Horiz. Spread: 102.5°

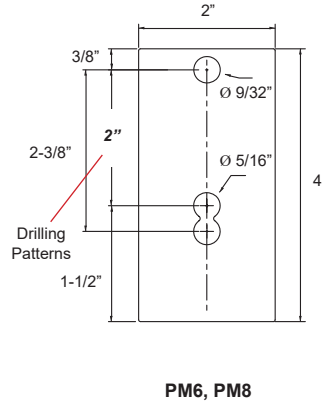
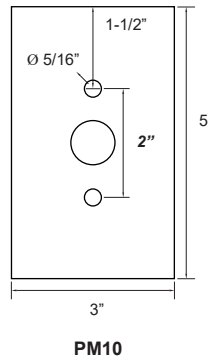
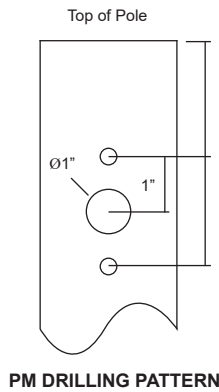
# MFL5 GLED



**Specifications: MFL5**

Length 1 : 22 (559)  
 Length 2 : 28 (711)  
 Width: 16-1/2 (419)  
 Depth: 8 (204)  
 Weight: 27.88 lbs (12.65 kg)

All dimensions are in inches (millimeters).



**ORDERING INFORMATION**

**EXAMPLE: MFL5-90GLED-50K-UNV-PM6R-BZ**

MODEL	LED	COLOR TEMP.	DISTRIBUTION	VOLTAGE	MOUNTING
<b>MFL5</b>	<b>90GLED</b>	90W LED	<b>(Blank)</b> Wide (Std.)	<b>UNV</b> 120-277V (Std.)	<b>PM6R</b> 6" Long Round Pole Mount Arm <b>PM6S</b> 6" Long Square Pole Mount Arm <b>PM8R</b> 8" Long Round Pole Mount Arm <b>PM8S</b> 8" Long Square Pole Mount Arm <b>PM10R</b> 10" Long Round Pole Mount Arm <sup>1,2</sup> <b>PM10S</b> 10" Long Square Pole Mount Arm <sup>1</sup>
	<b>100G5LED</b>	100W LED		<b>347</b> 347V	
	<b>120GLED</b>	120W LED		<b>480</b> 480V	
	<b>150G5LED</b>	150W LED			
		<b>-35K</b> 3500K <sup>4</sup>			
		<b>-40K</b> 4000K <sup>4</sup>			
		<b>-50K</b> 5000K (Std.)			

FINISH	OPTIONS
<b>BZ</b> Dark Bronze (Std.) <small>* Available custom color (RAL)                      Please provide us with the RAL number.                      * Non-standard finish with extra charge.</small>	<b>F1</b> Single Fuse (120, 277 or 347V only) <sup>3</sup> <b>F2</b> Double Fuse (208, 240 or 480V only) <sup>3</sup> <b>TLPC1</b> Twist Lock Receptacle Photocell 120V <b>TLPC2</b> Twist Lock Receptacle Photocell 277V <b>VS</b> Visor Shield <b>HS6</b> House Shield 6" Deep <b>HS12</b> House Shield 12" Deep <b>DM</b> Dimming, 1-10V DIM (10-100%) <b>O7W</b> Optional 7 Years Limited Warranty <sup>5</sup> <b>O10W</b> Optional 10 Years Limited Warranty <sup>5</sup> <b>BG</b> Bird Guard, Stainless Steel Spikes

**NOTES:**

1. 10" arm required when two or more luminaires are oriented on a 90° drilling pattern.
2. 2 or 4pcs in 90 degree installation on 4" round pole is not available.
3. Must specify voltage.
4. Not available with GLED.
5. This limited warranty covers electrical parts only and does not apply to labor, equipment lease, or defect from improper installation or operation.