

LSC-3G

| | |
|---------------|--|
| Project Name: | |
| Type: | |



APPLICATION

This is design for LED surface mount luminaire. Ideal for walkways, building exterior, entrances, mall areas and perfect for hard to service locations.

FEATURES:

- Sealed die-casting prole for indoor and outdoor applications.

MOUNTING:

- Ceiling surface mounting and pendant mounting available.

LED:

- LM79, LM80 Compliant.
- Estimated 100,000-hour LED lifespan based on IES LM-80 results and TM-21 calculations.
- Lumen Maintenance L70 greater than 54,000 hours IESNA TM-21.
- Lumen output from 3750-8000lm with efficacy up to 141lm/W.
- Replacing 100-250W Metal Halide.
- Color temperature: 4000/5000 (K)
- CRI +70

ELECTRICAL:

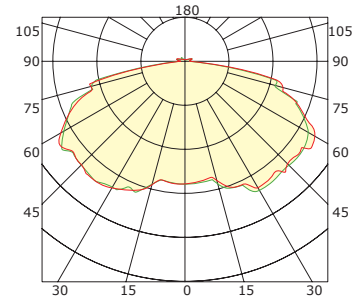
- 120-277V, 0-10V dimming standard.
- Operating temperature: -40°C to 40°C (-40°F to 104°F).

LISTING:

- Listed to UL 1598 and UL 8750.
- UL / cUL wet location listed.
- IP65.
- 5 years warranty.
- ARRA compliant. (optional)

CONFIGURATIONS

| Series | LED | Lumen Output (4000K) | Lumen Efficiency | Lumen Output (5000K) | Lumen Efficiency | Weight |
|--------|-------|----------------------|------------------|----------------------|------------------|-----------------|
| LSC-3G | 27LED | 3750 lm | 139 lm/W | 3800 lm | 141 lm/W | 3.6lb / 1.6 kg |
| | 40LED | 5350 lm | 134 lm/W | 5450 lm | 136 lm/W | 4.1lb / 1.8 kg |
| | 60LED | 7800 lm | 130 lm/W | 8000 lm | 133 lm/W | 5.07lb / 2.3 kg |



ORDERING INFORMATION

EXAMPLE: LSC-3G-27LED-UNV-50K-D

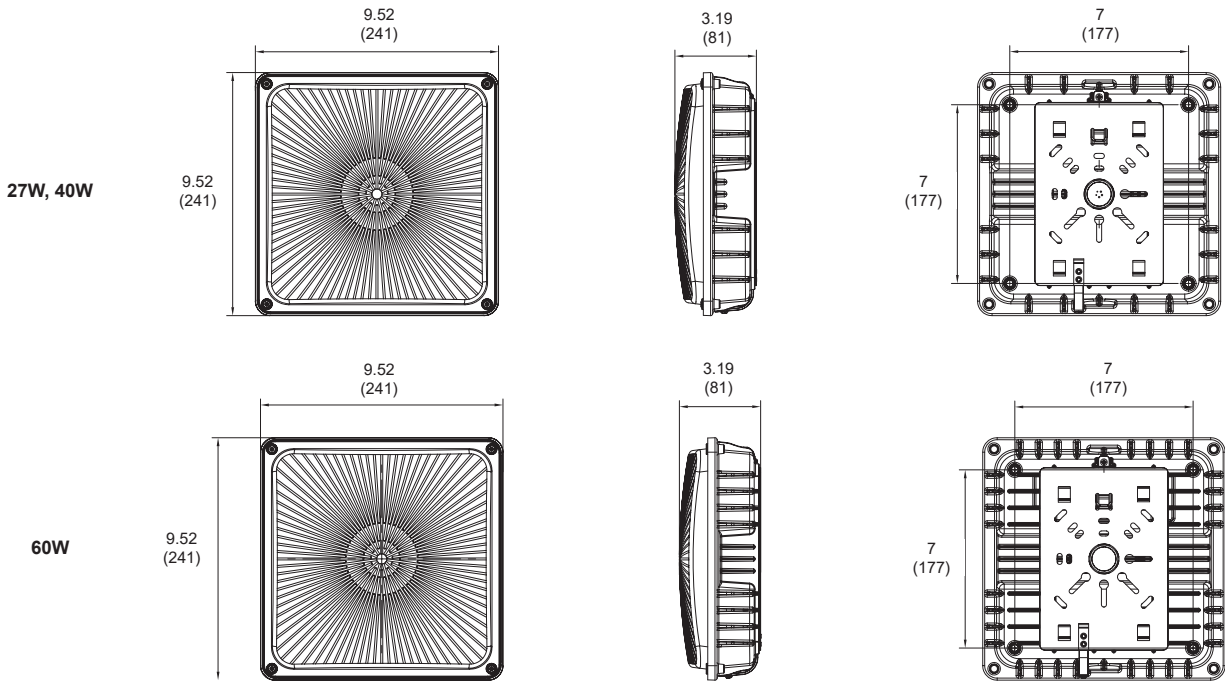
| MODEL | LED | VOLTAGE | COLOR TEMP. | FINISH | DRIVER |
|--------|-------------------------|---------------------|---------------------------------|---------------|-------------------|
| LSC-3G | 27LED 40LED 60LED | UNV 120-277V (Std.) | -40K 4000K -50K 5000K (Std.) | D Dark Bronze | DM 0-10V Dimmable |

| OPTIONS | |
|---------|--|
| MS-xx | On/Off motion sensor. "xx" for lens type; L1 or L2 ¹ |
| BRI-xx | Bi-level occupancy sensor with daylight, 0-10V, adjustable via DIP switch. "xx" for lens type; L1 or L2 ¹ |
| RC-100 | Remote control for the BRI sensor |
| EMG8W | Wet location suitable, 8W EM Battery Backup |
| ARRA | Assembled in USA for Buy American act |

NOTES:

- 1. L1: Max 25ft mounting height
- L2: Max 40ft mounting height

LSC-3G



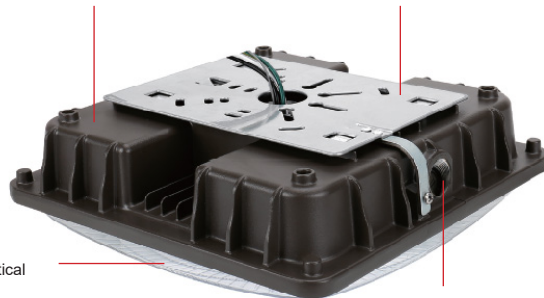
* All dimensions are in inches (millimeters).

Housing

One piece die cast housing better waterproofing, suitable for both indoor and outdoor application.

Mounting Bracket

Suitable for J-BOX mounting, and easy for installation, also support pendant mounting, wires coming out from the back for easier wire connections.



PHOTOMETRY

Parking Garage Photometry and polycarbonate optical lens with heat resisting.

1/2inch knock hole

Support wires coming from the hole for easier wire connections. Optional PIRsensor and EmergencyBattery.

LSC-3G



EMG8W

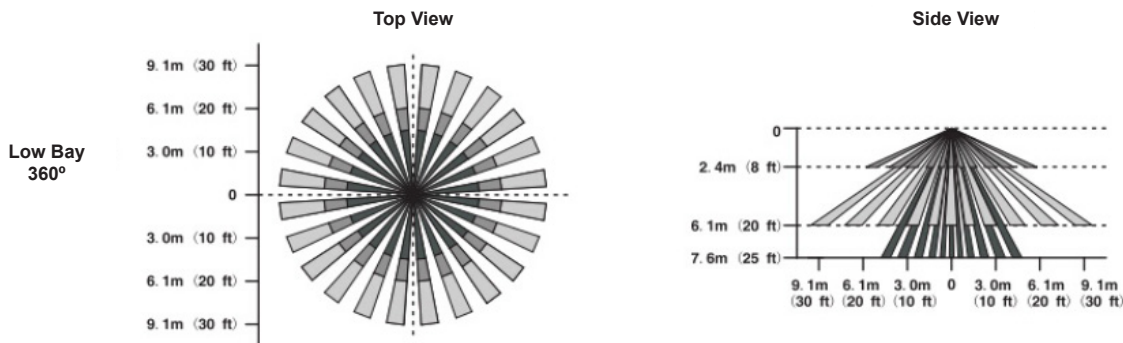


SENSOR (MS / BRI)

| MS / BRI sensor specifications | |
|--------------------------------|-----------------------------------|
| Power Supply | 120-277VAC, 50/60Hz |
| Max. Load | 800W @ 120V, 1200W @ 277V |
| Detection Radius | L1 lens: 30FT @ 25FT height, 360° |
| | L2 lens: 30FT @ 40FT height, 360° |
| Humidity | Max. 95% RH |
| Temperature | -40°F to 167°F (-40°C to 75°C) |

| BRI default setting | |
|---------------------|----------------------------|
| Sensitivity | 20%/50%/75%/100% |
| Time | 10sec/1min/5min/15min |
| Light Level | disabled/10lux/30lux/50lux |
| Stand-by Level | 0%/10%/30%/50% |
| Stand-by Time | Infinite/1min/30min/60min |

< L1 Lens >



< L2 Lens >

